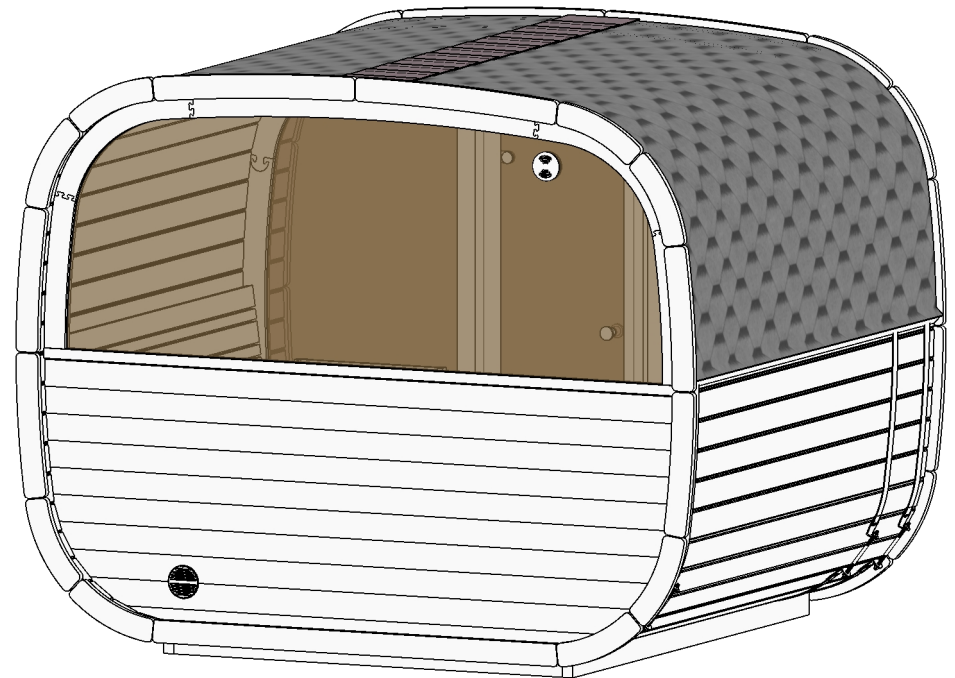
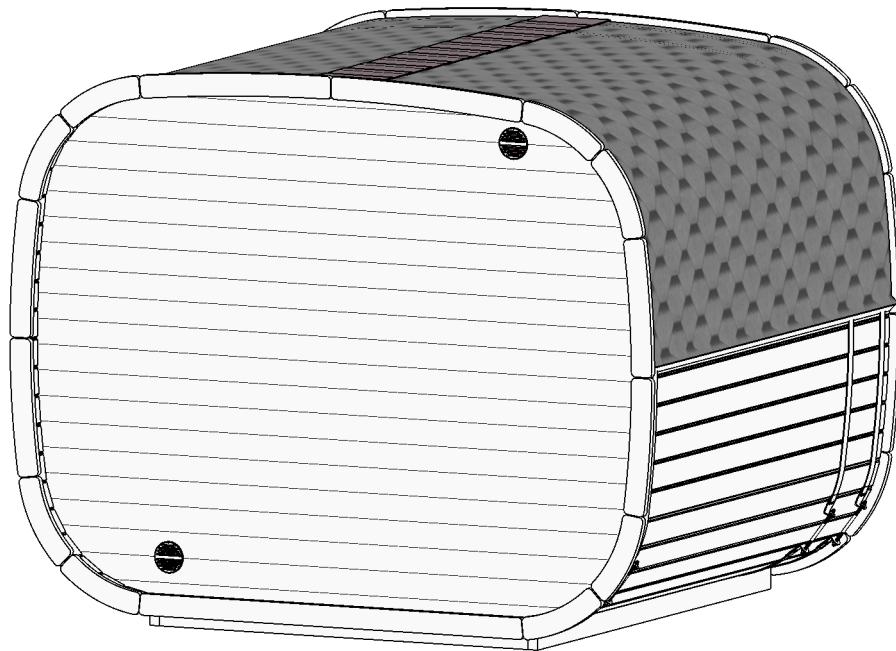
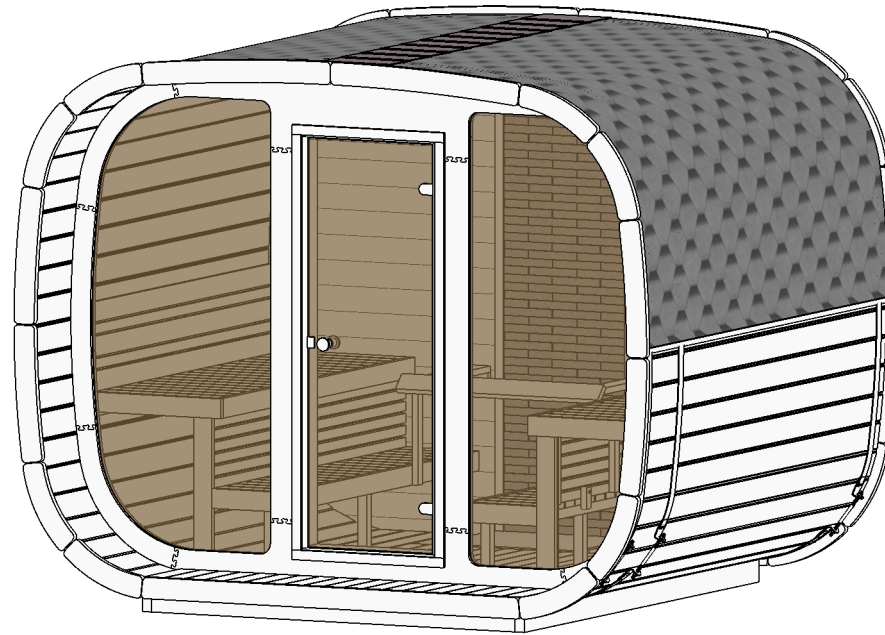


# Sauna "CuBus" 3\*2,4

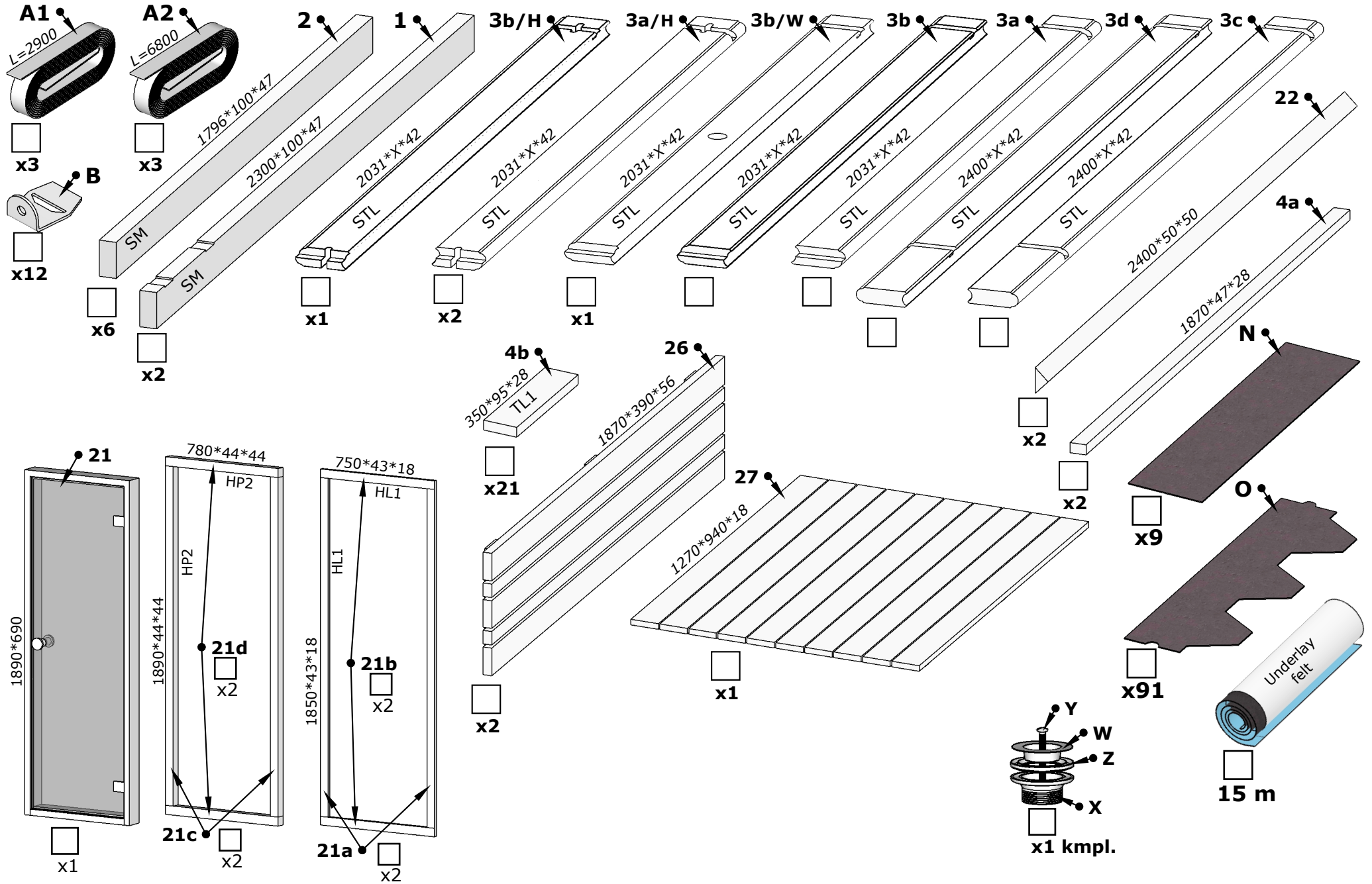
**Please read the whole manual  
before You start.**

**All given measurements are in millimeters.**



# Sauna "CuBus" 3\*2,4

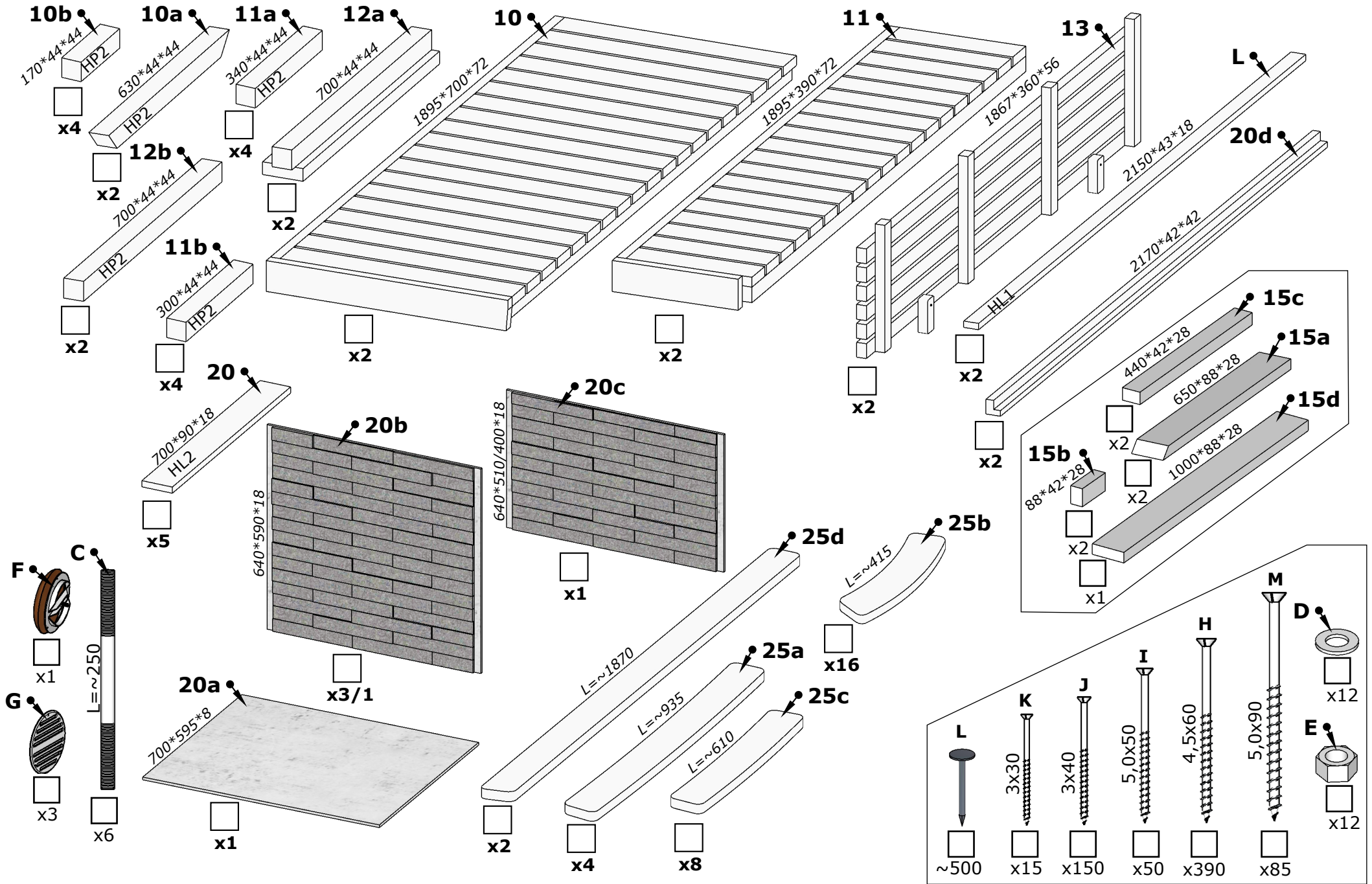
## Details list 1.



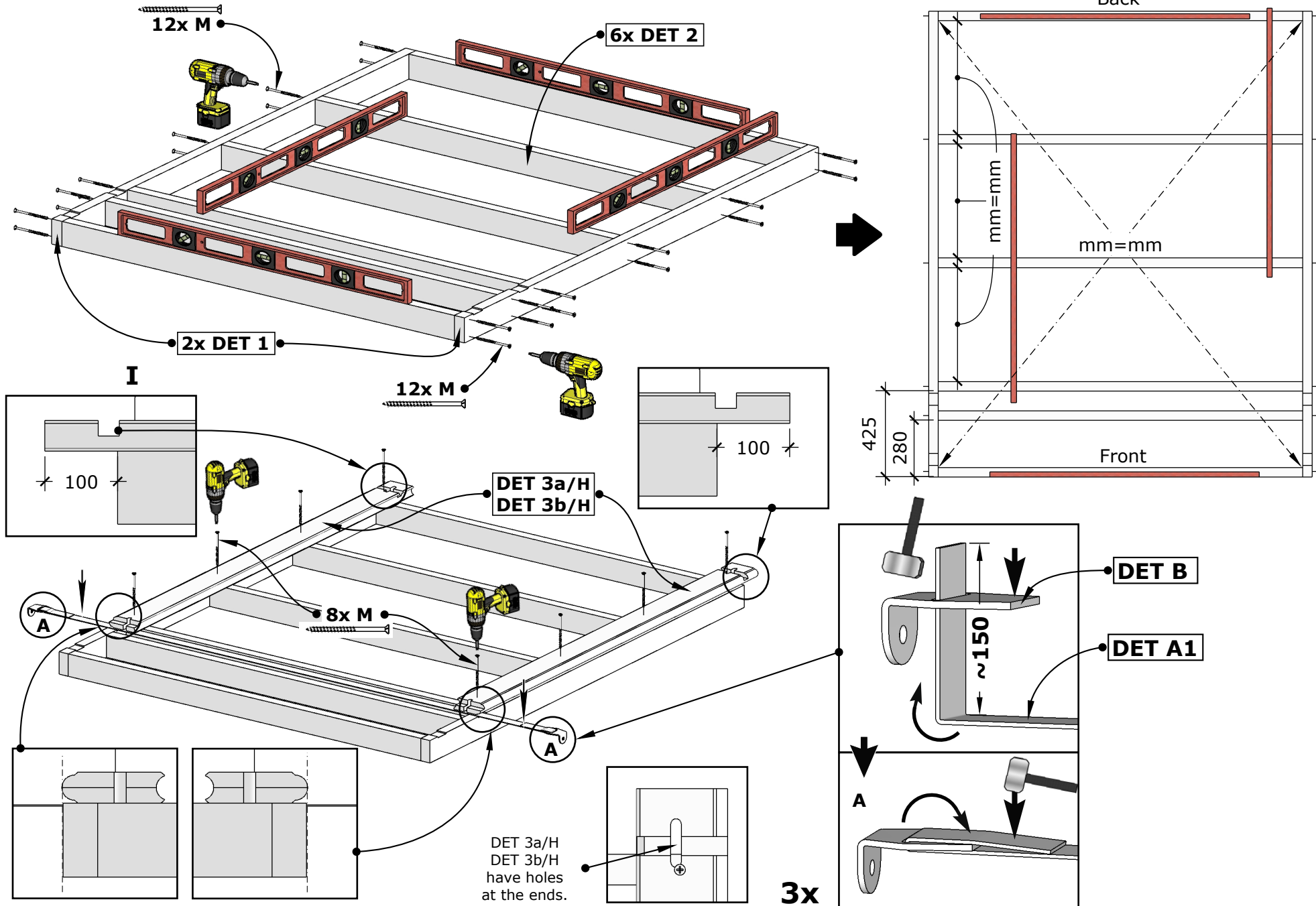


# Sauna "CuBus" 3\*2,4

## Details list 2.

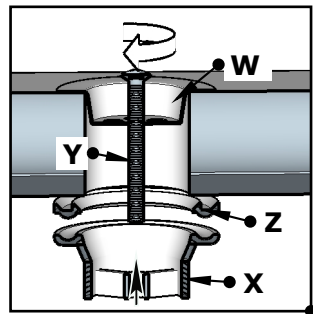


# Sauna "CuBus" 3\*2,4



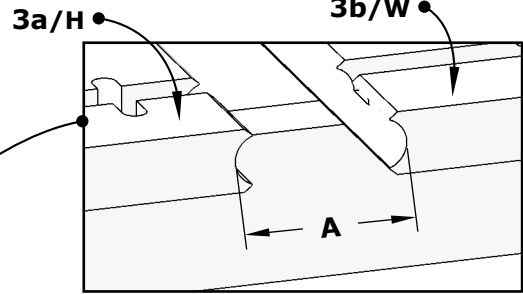
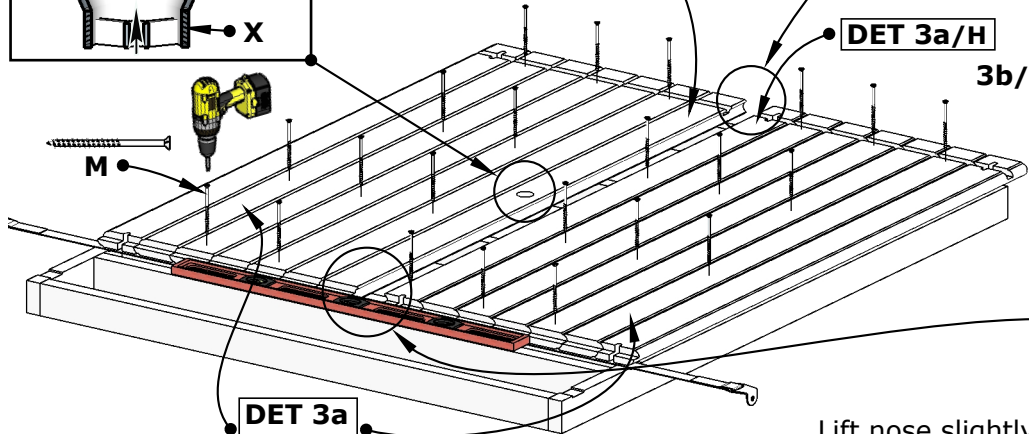
1. II

# Sauna "CuBus" 3\*2,4

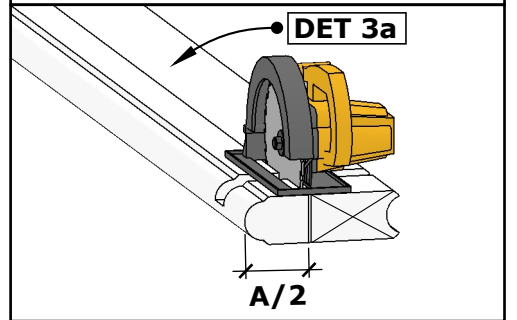
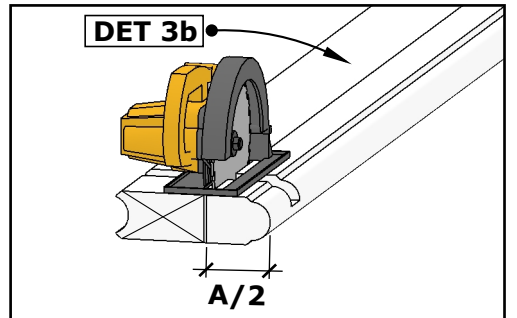
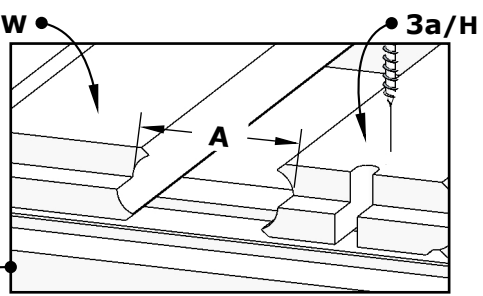


Fix screws over the one board, diagonally in every board.

**DET 3b/W**  
Don't fix board yet!

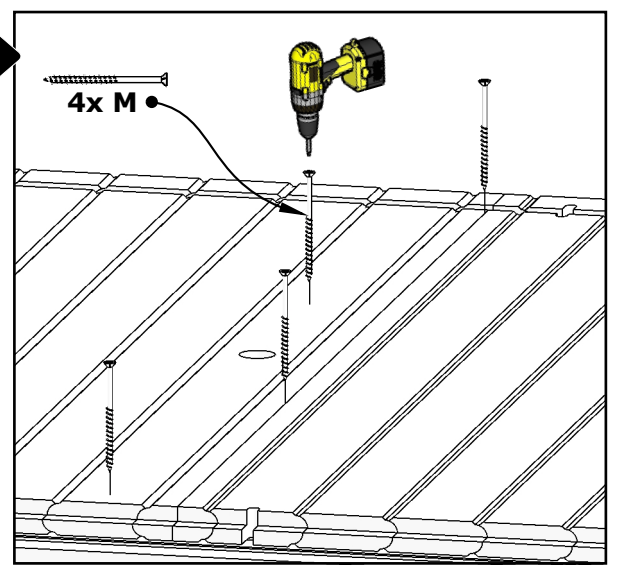
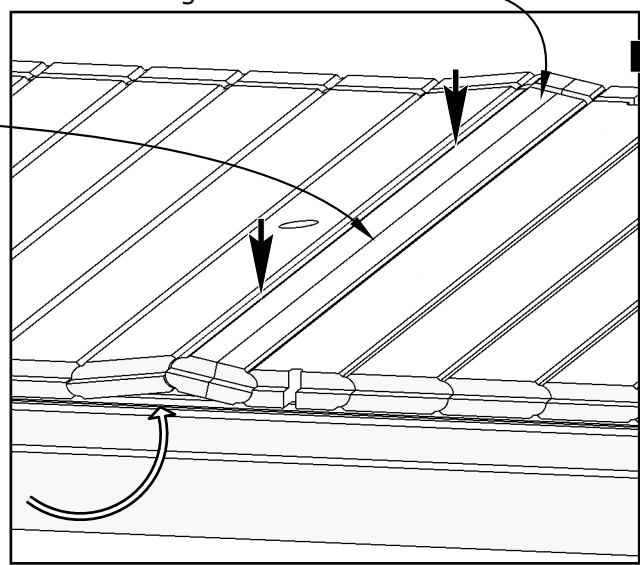
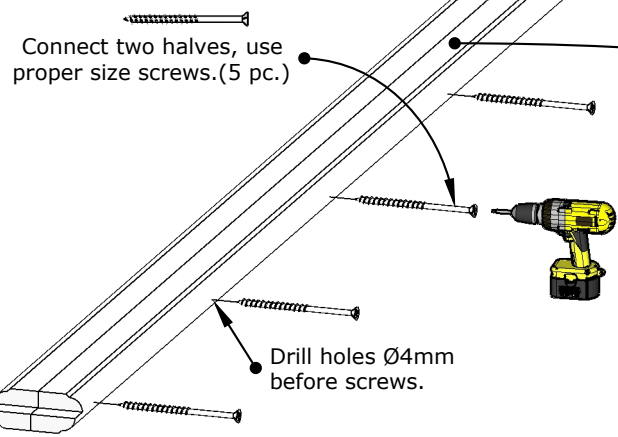


**DET 3a/H**



**I**

Lift nose slightly up before installing combined detail.



**II**

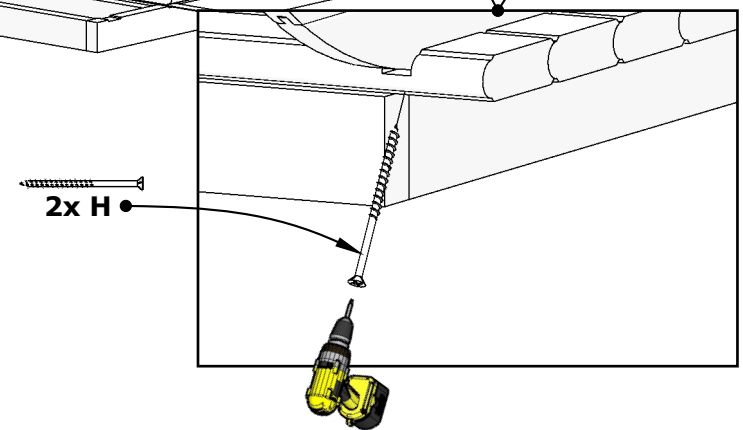
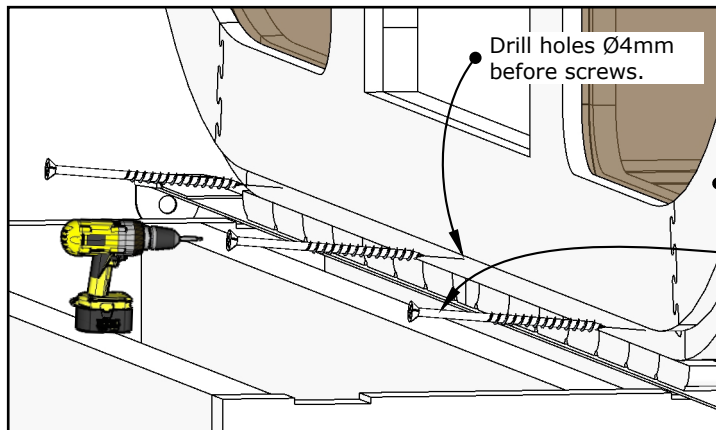
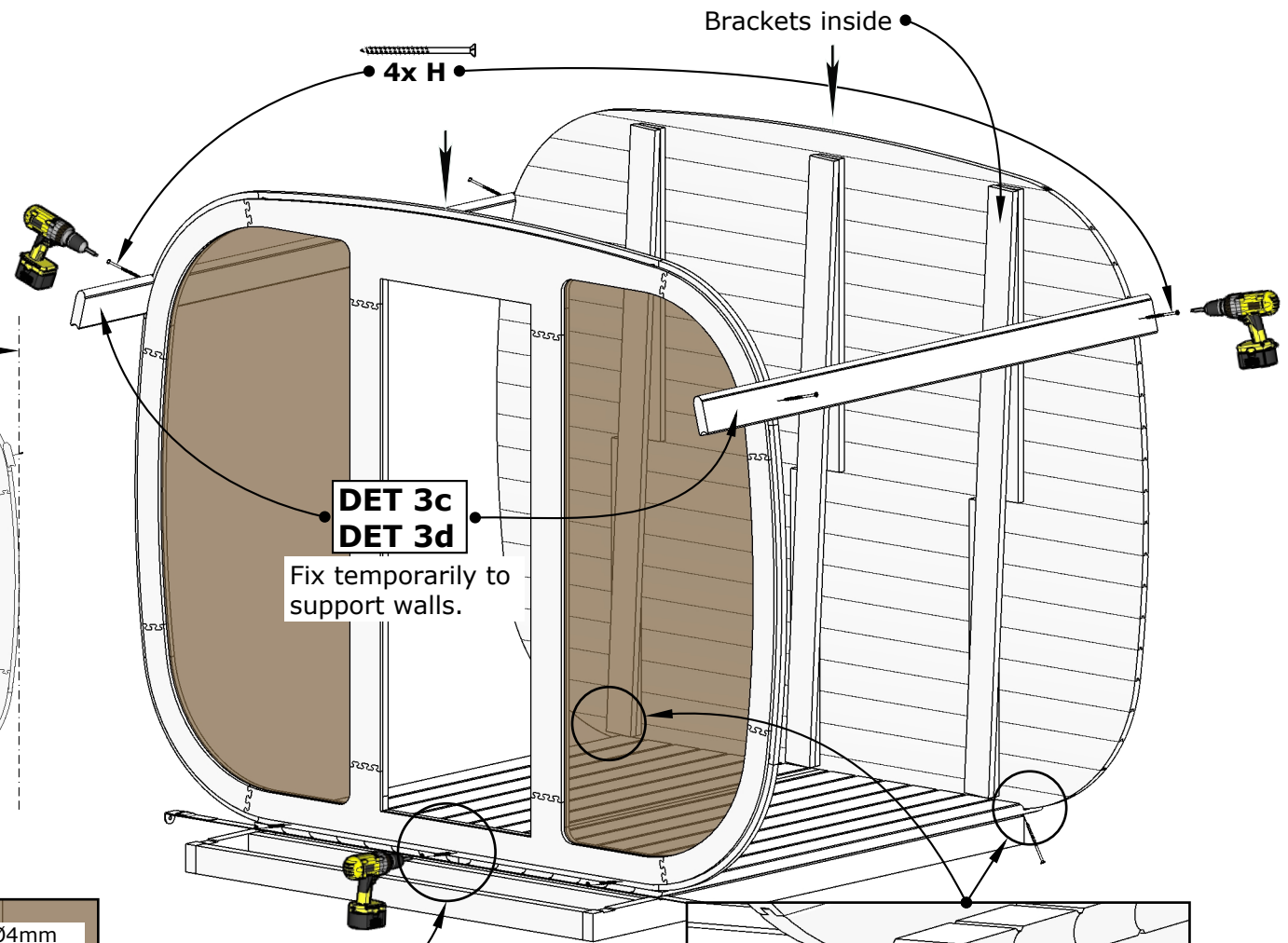
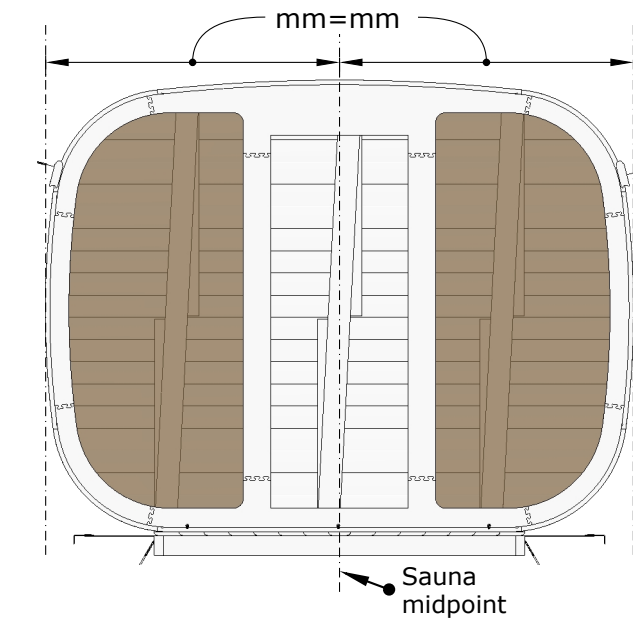
# Sauna "CuBus" 3\*2,4

Use waterlevel



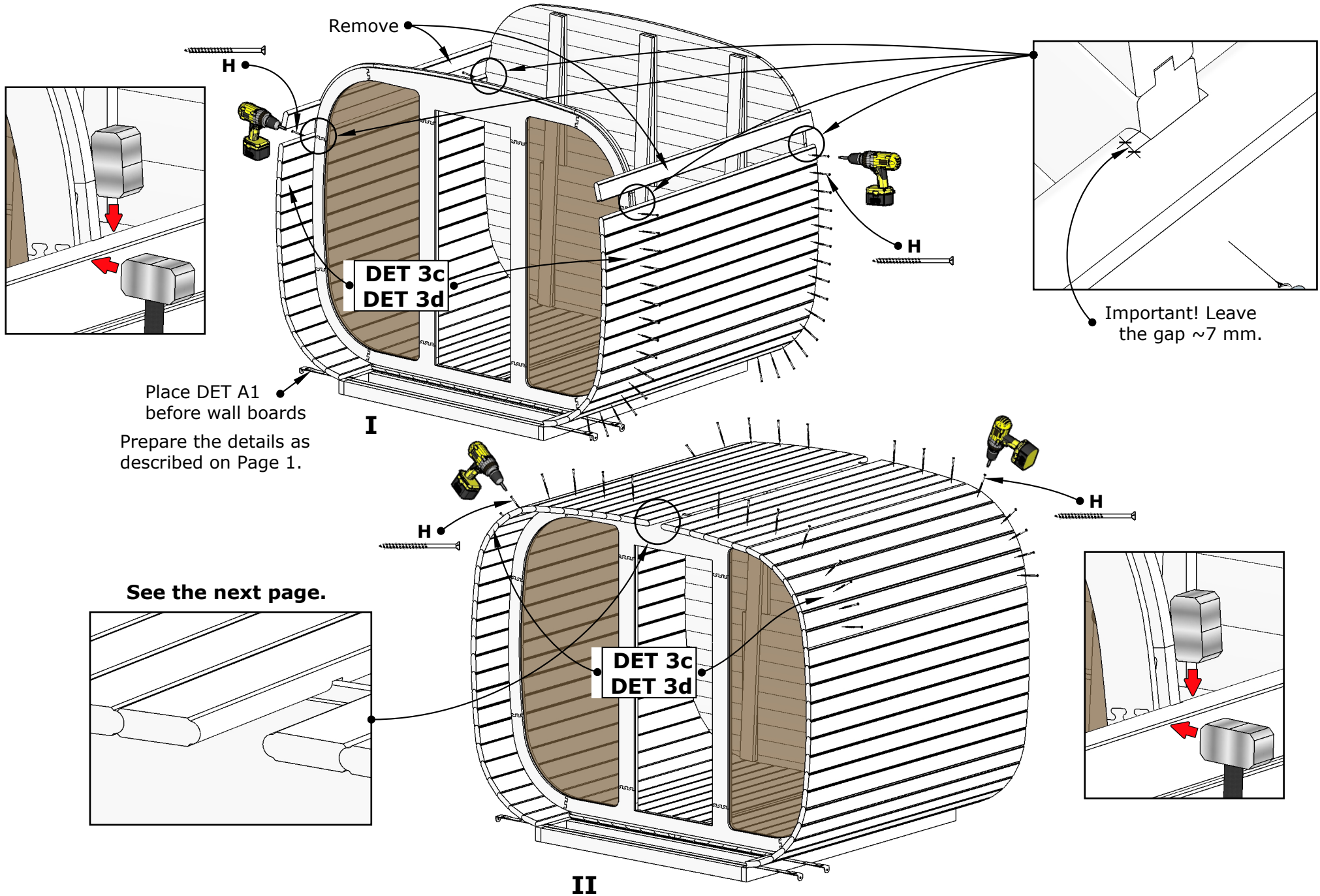
Check walls installation manual on extra pages!

Sauna wall configuration depends on Your model!

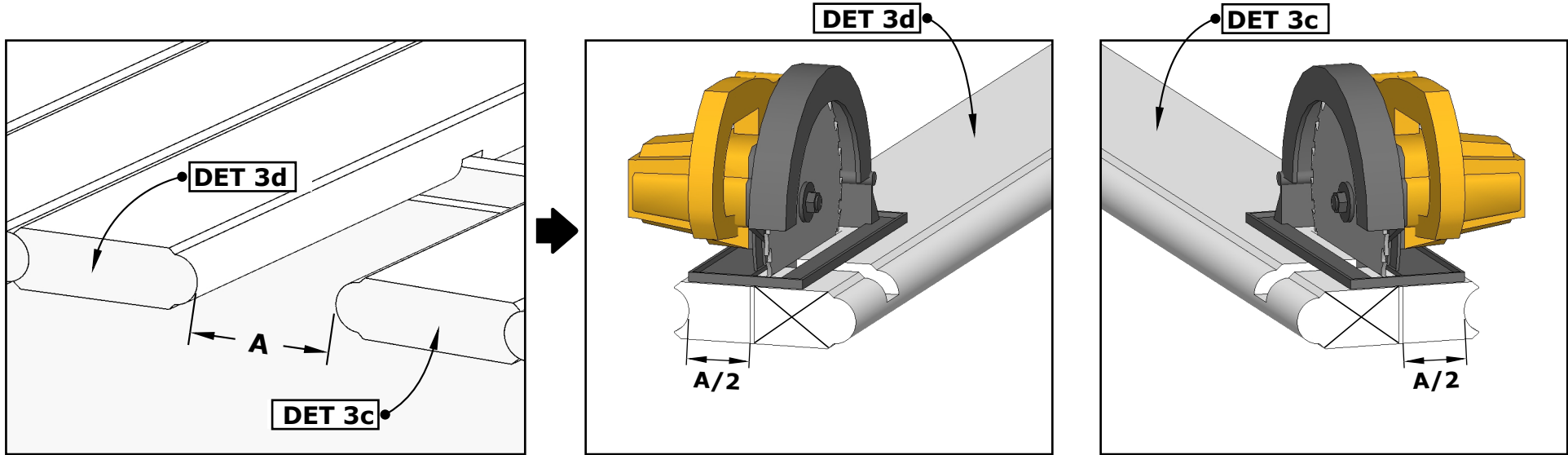




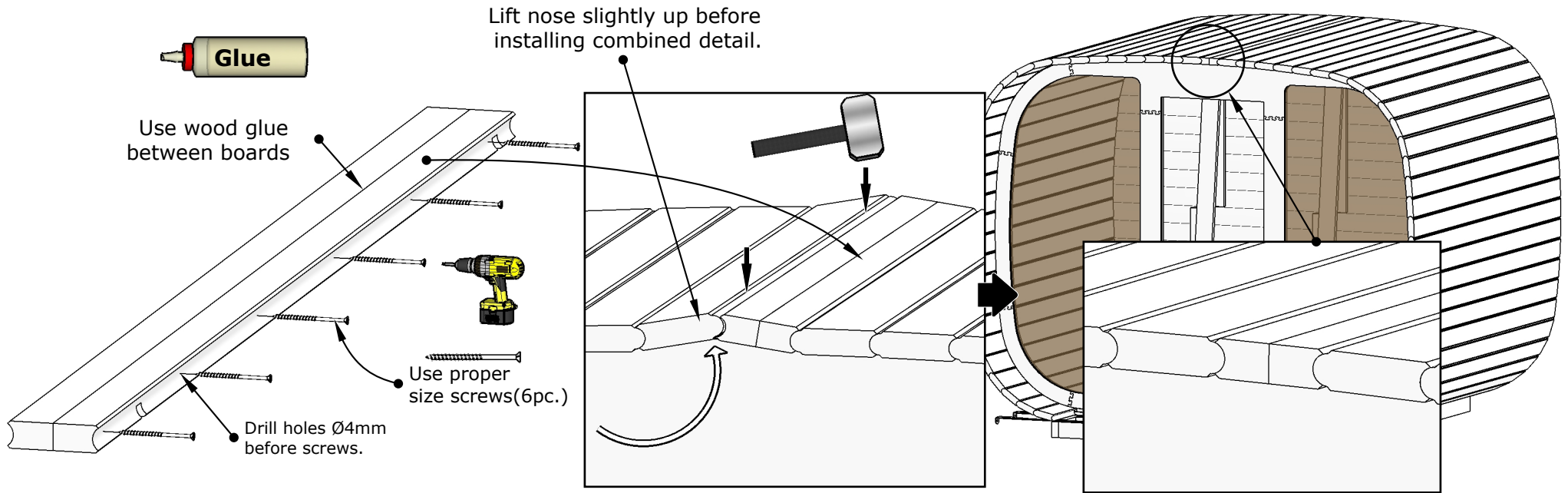
# Sauna "CuBus" 3\*2,4



# Sauna "CuBus" 3\*2,4



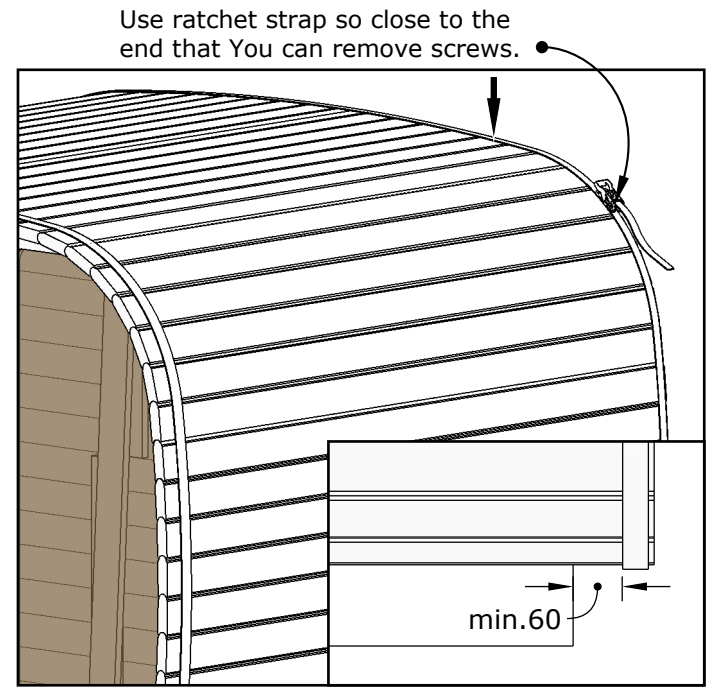
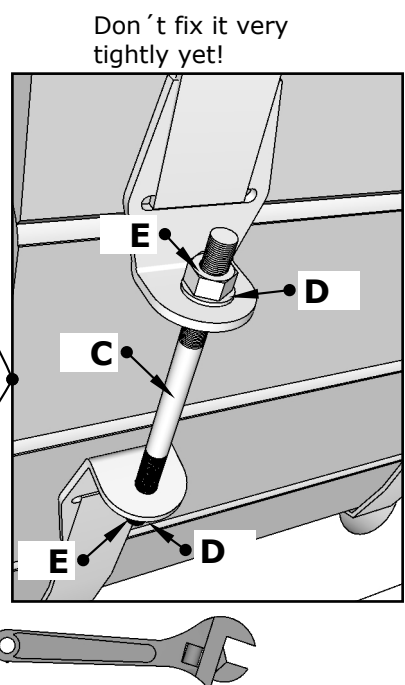
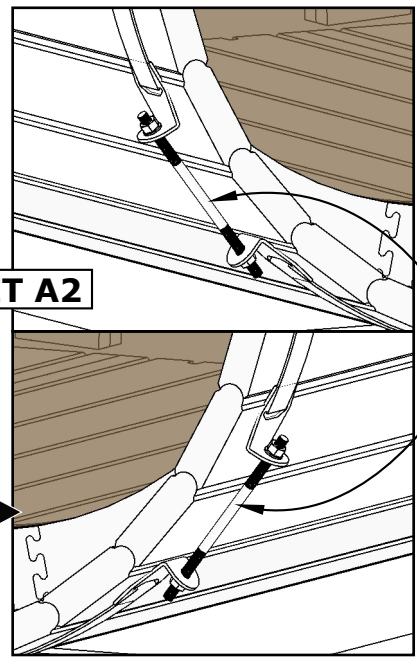
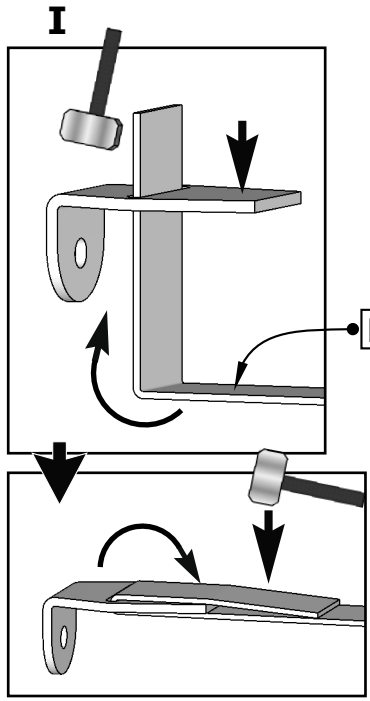
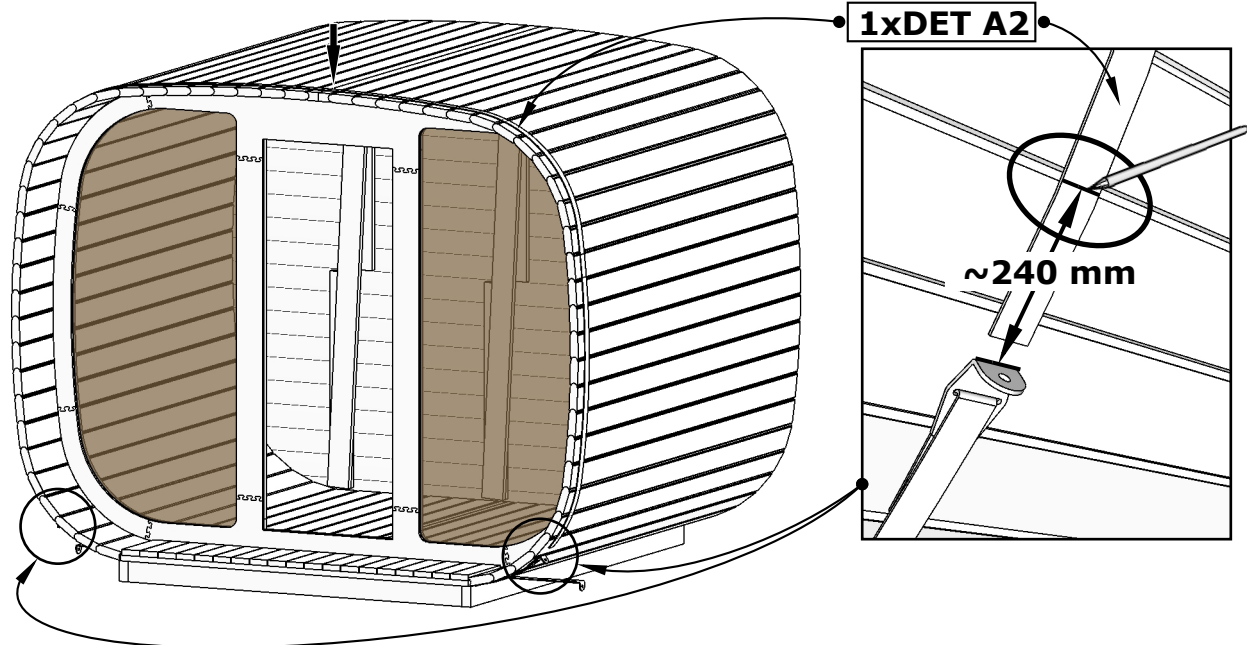
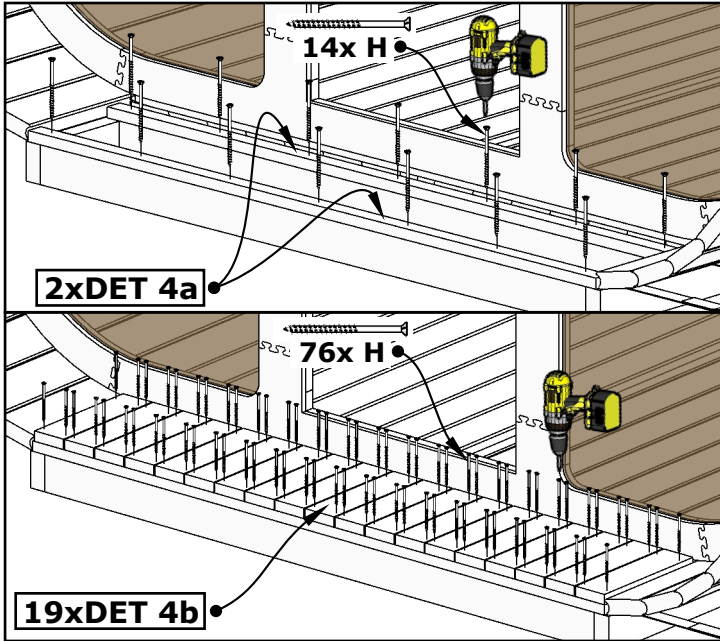
I



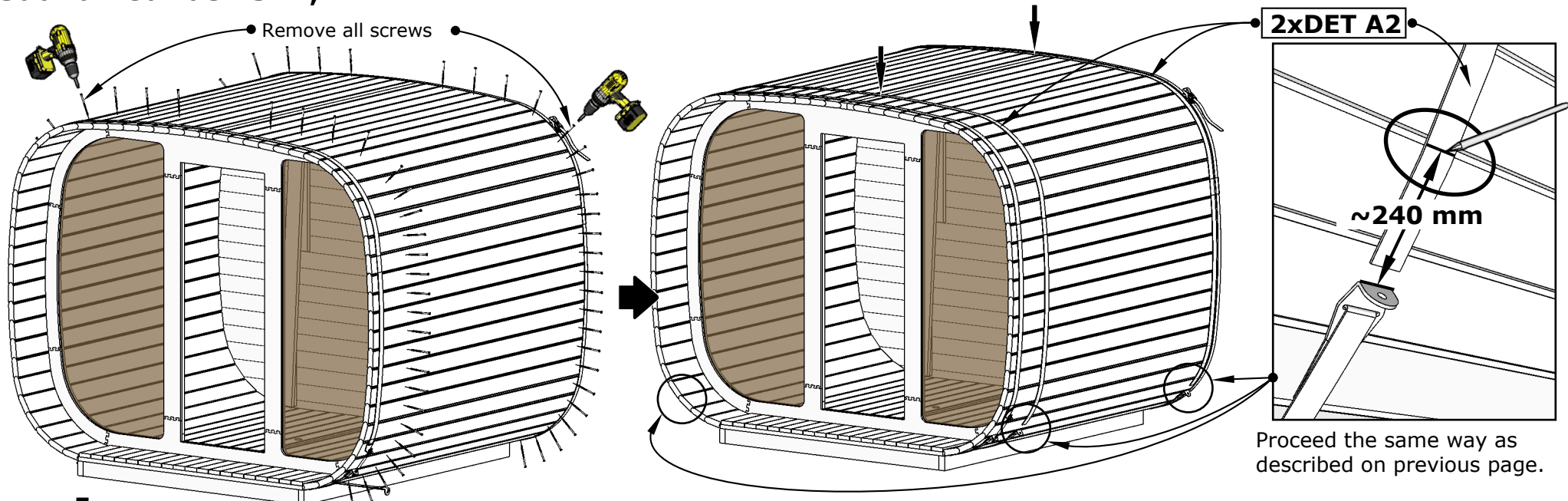
II

5.

# Sauna "CuBus" 3\*2,4

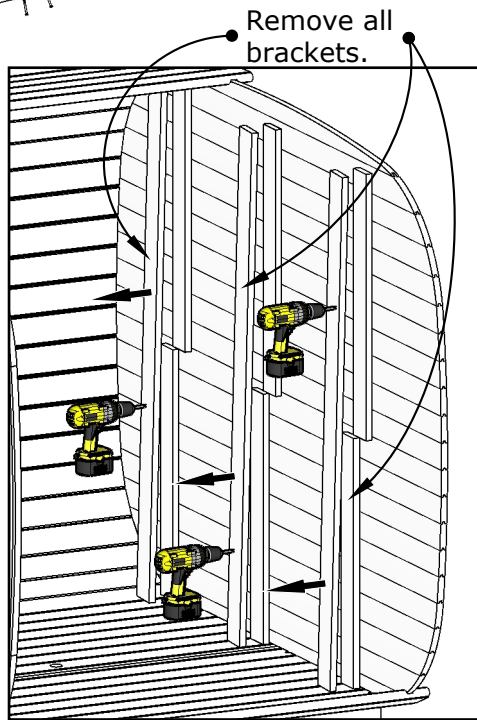
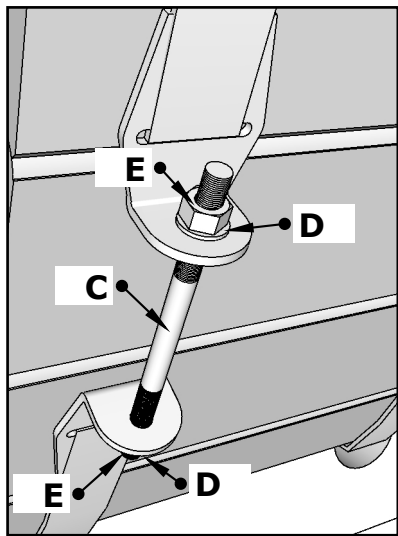


# Sauna "CuBus" 3\*2,4

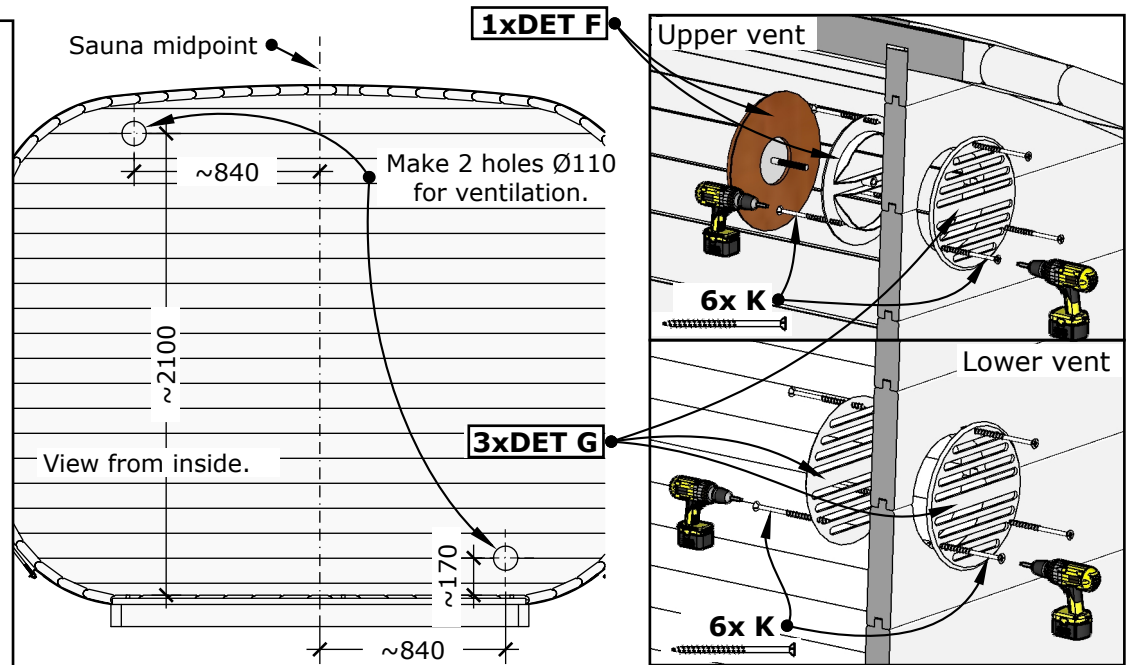


## I

Now fix all nuts tightly!  
Remove ratchet strap!

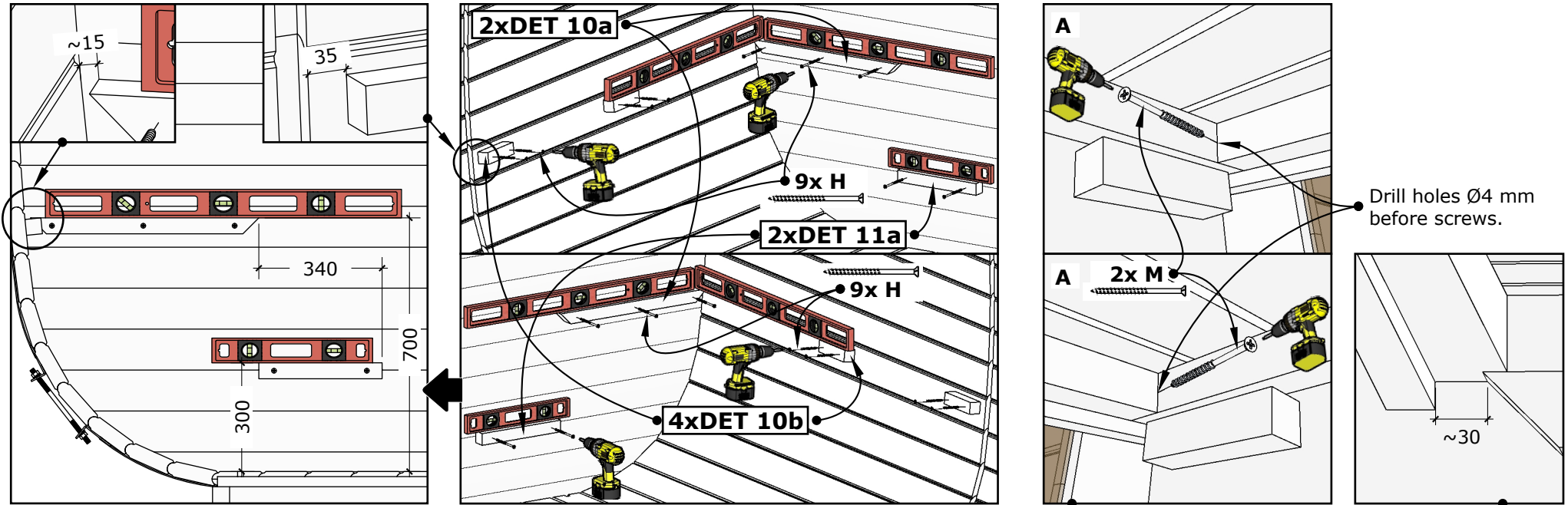


## III

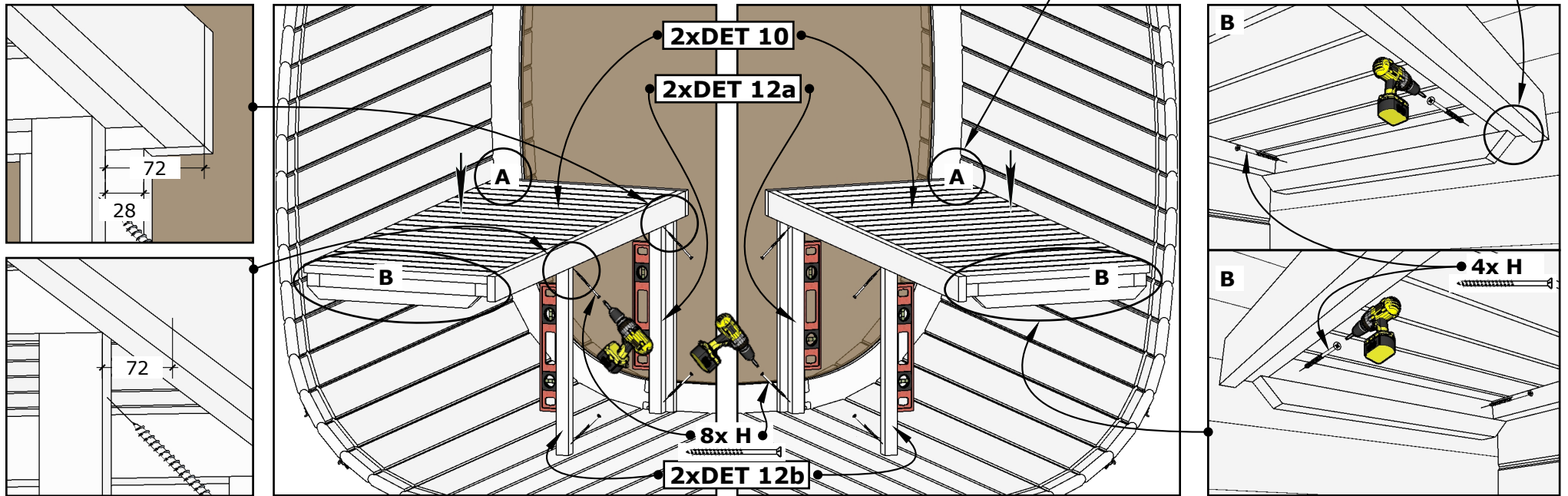




# Sauna "CuBus" 3\*2,4

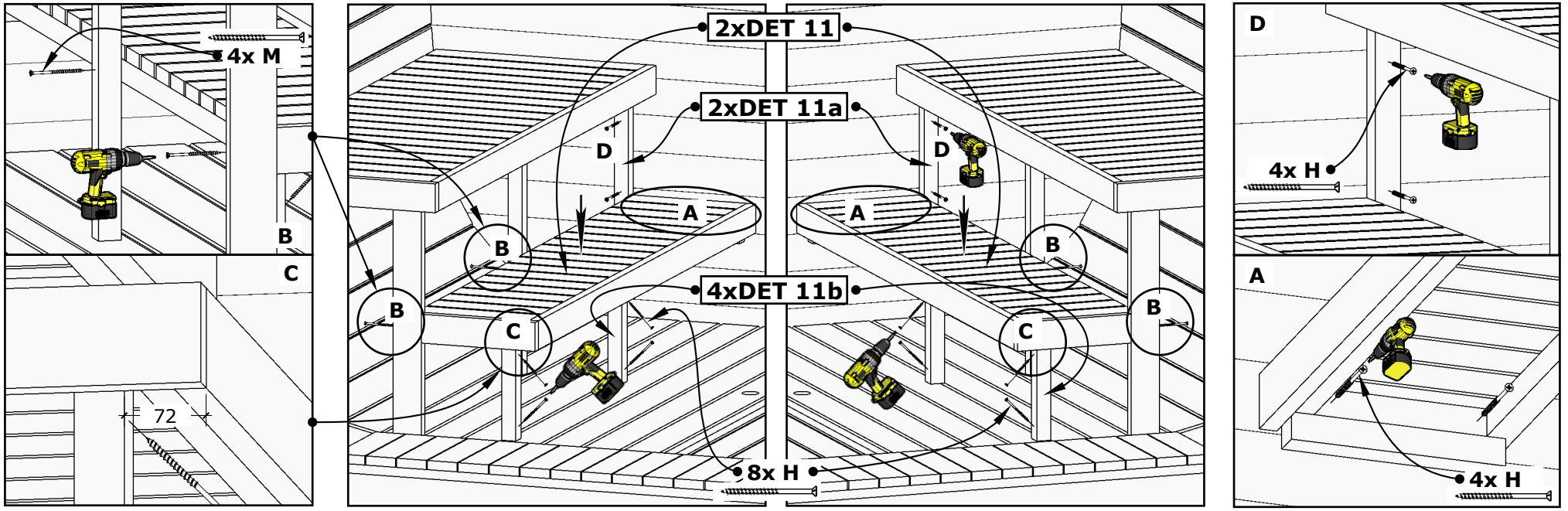


**I**

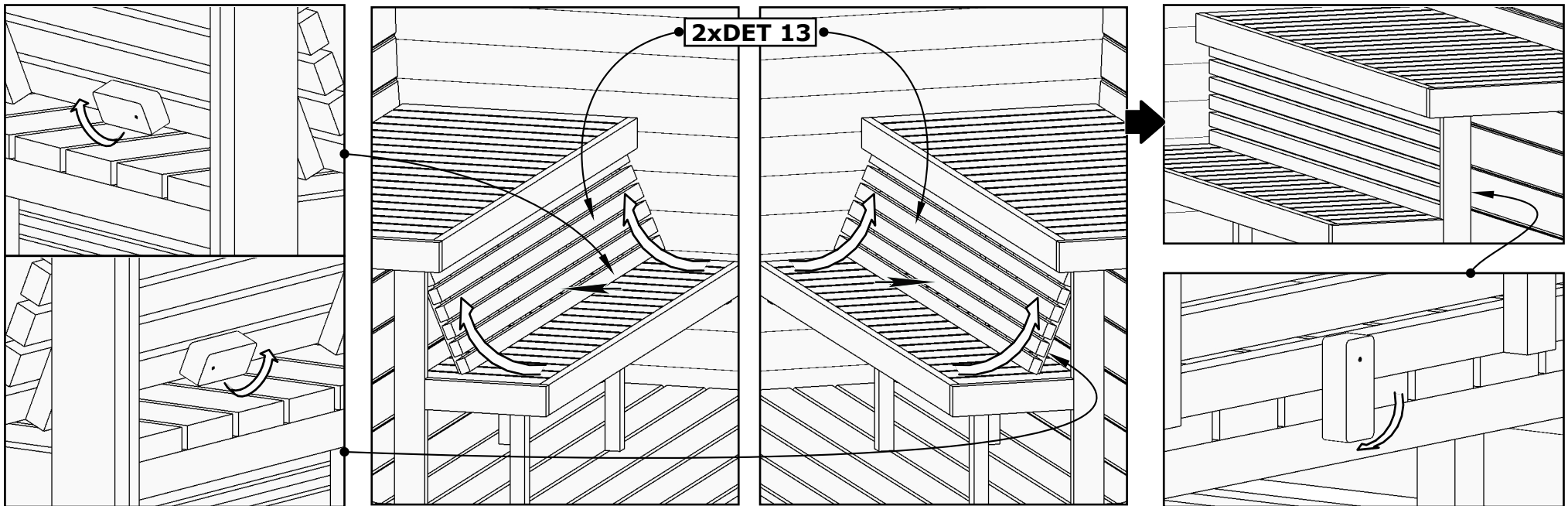


**II**

# Sauna "CuBus" 3\*2,4

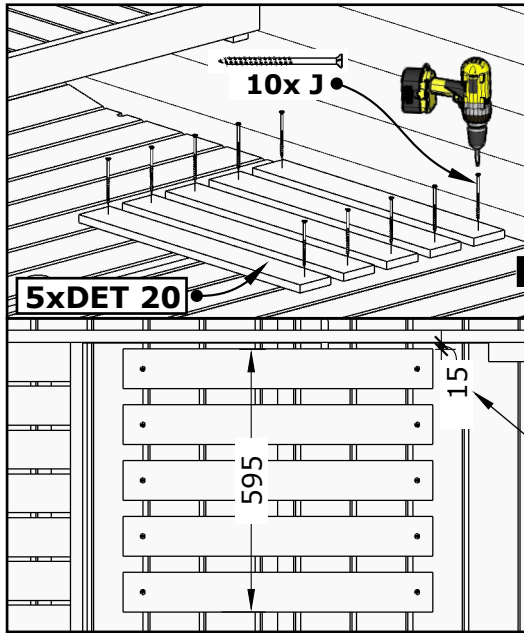


I

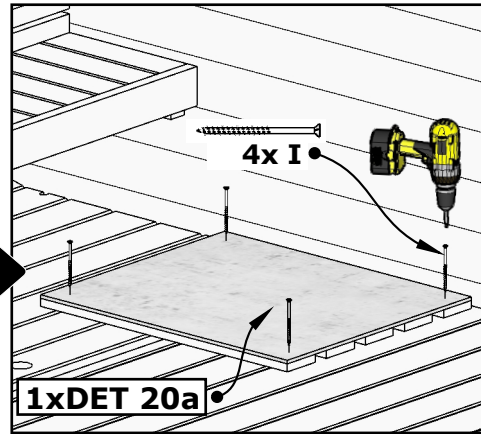


II

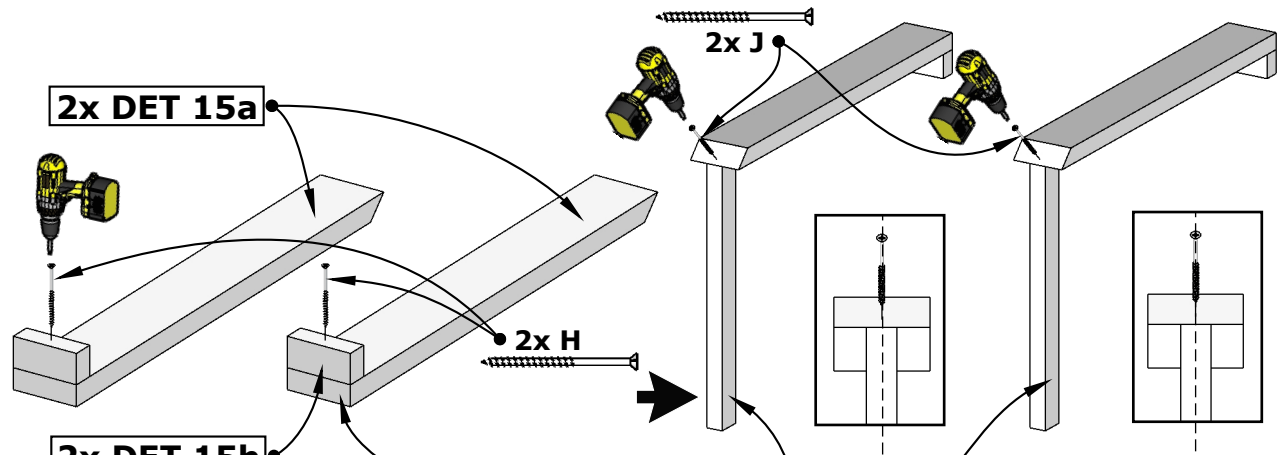
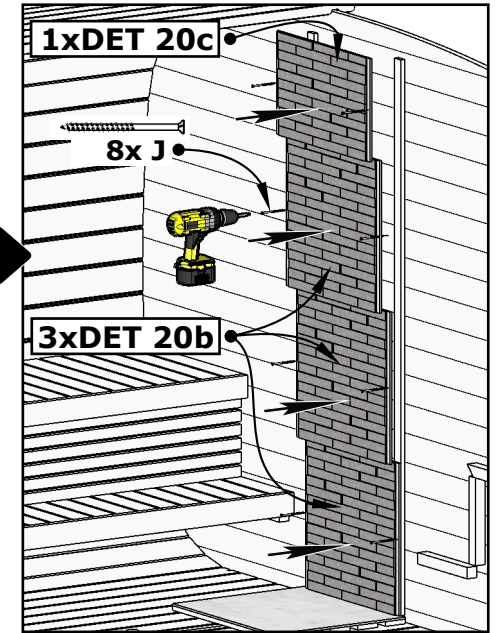
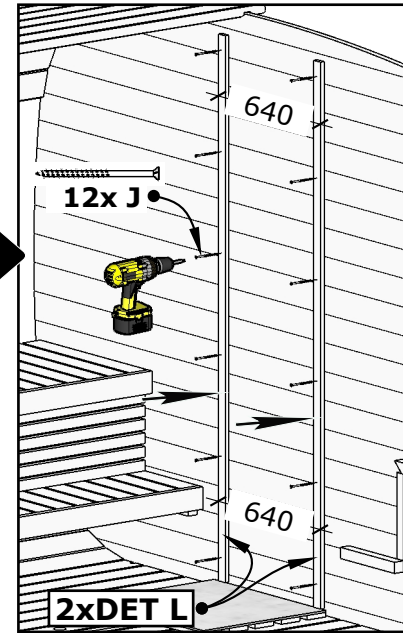
# Sauna "CuBus" 3\*2,4



**I**



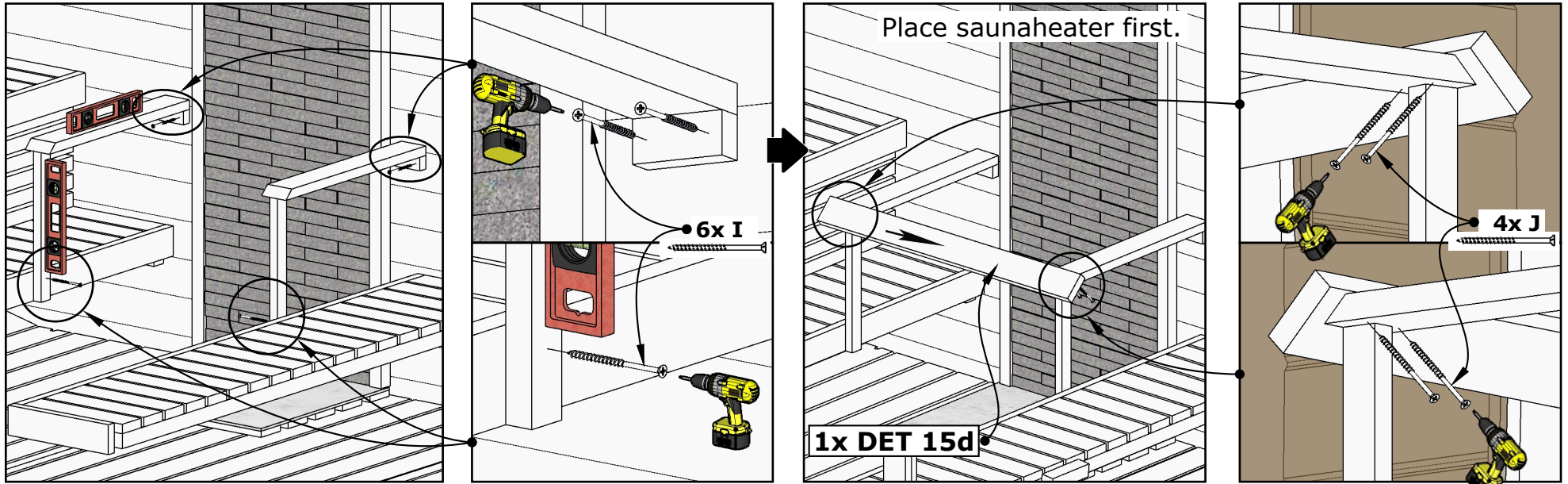
Leave the gap between board and wall.



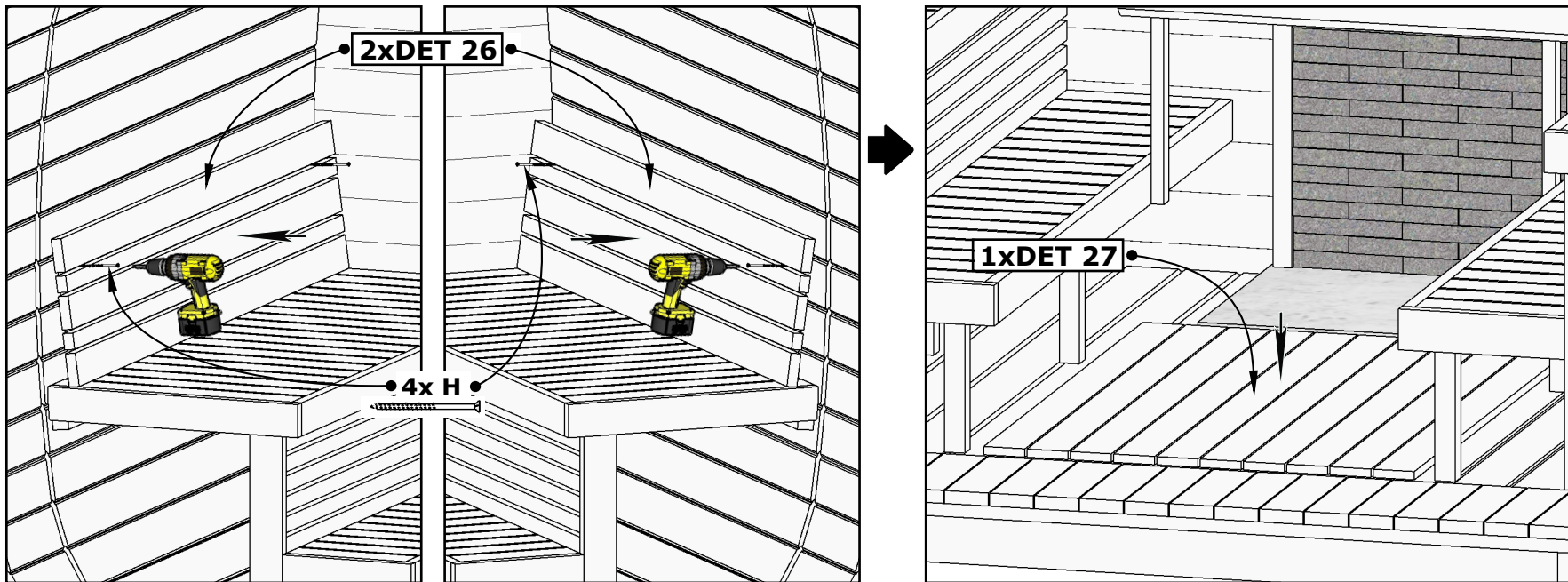
Cut from this side if needed!  
If Your sauna heater is smaller, You can cut DET 15a to size, that suits with Your heater.



# Sauna "CuBus" 3\*2,4



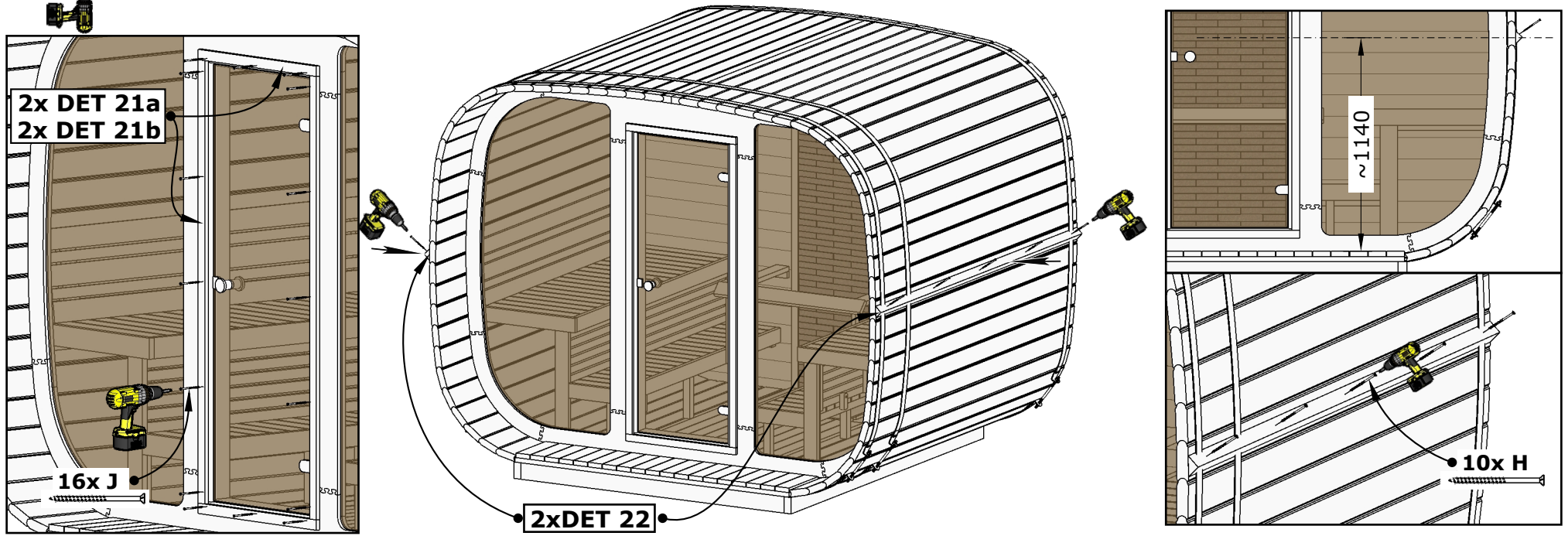
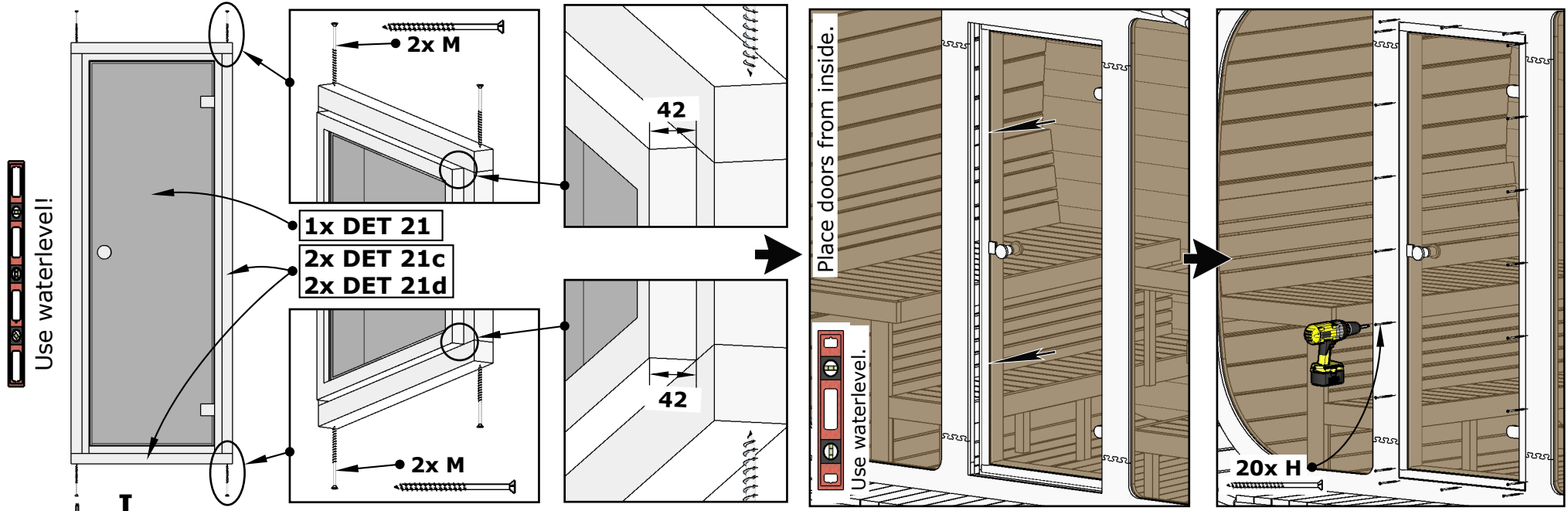
I



II



# Sauna "CuBus" 3\*2,4

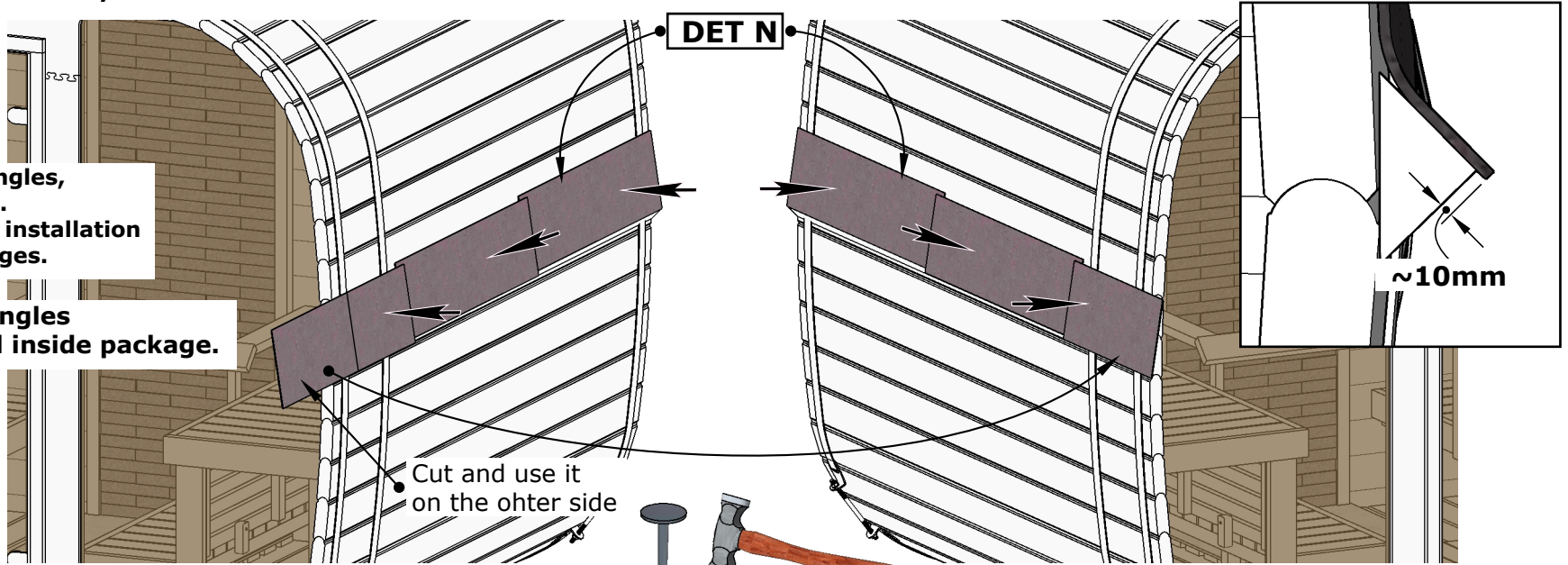


# Sauna "CuBus" 3\*2,4



**NB!** Before roof shingles, install underlay felt. Check underlay felt installation manual on extra pages.

Check also roof shingles installation manual inside package.



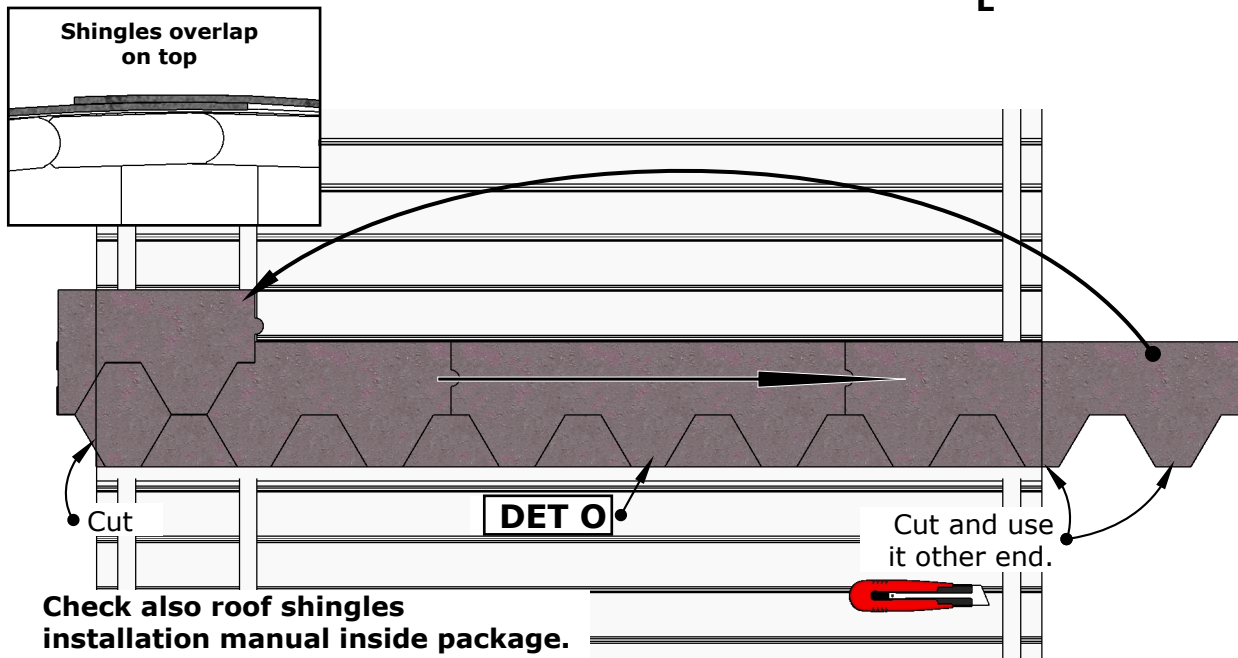
**DET N**

~10mm

Cut and use it on the other side

**I**

**L**



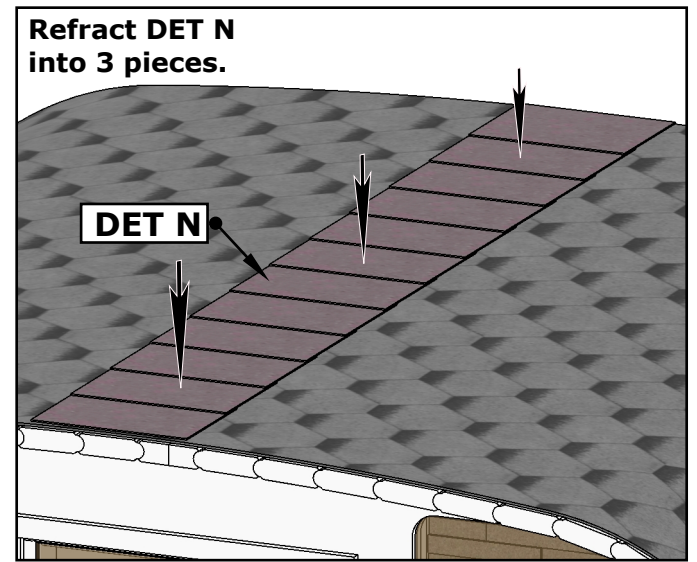
Shingles overlap on top

**DET O**

Cut and use it other end.

Check also roof shingles installation manual inside package.

**II**



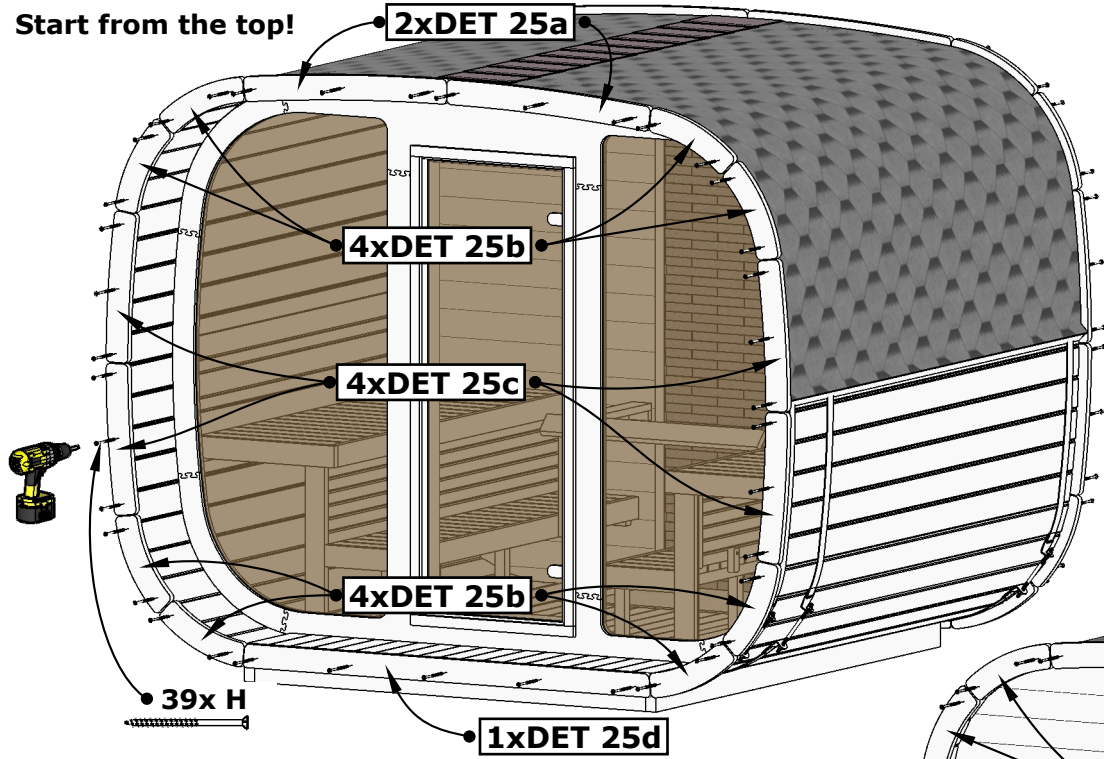
Refract DET N into 3 pieces.

**DET N**

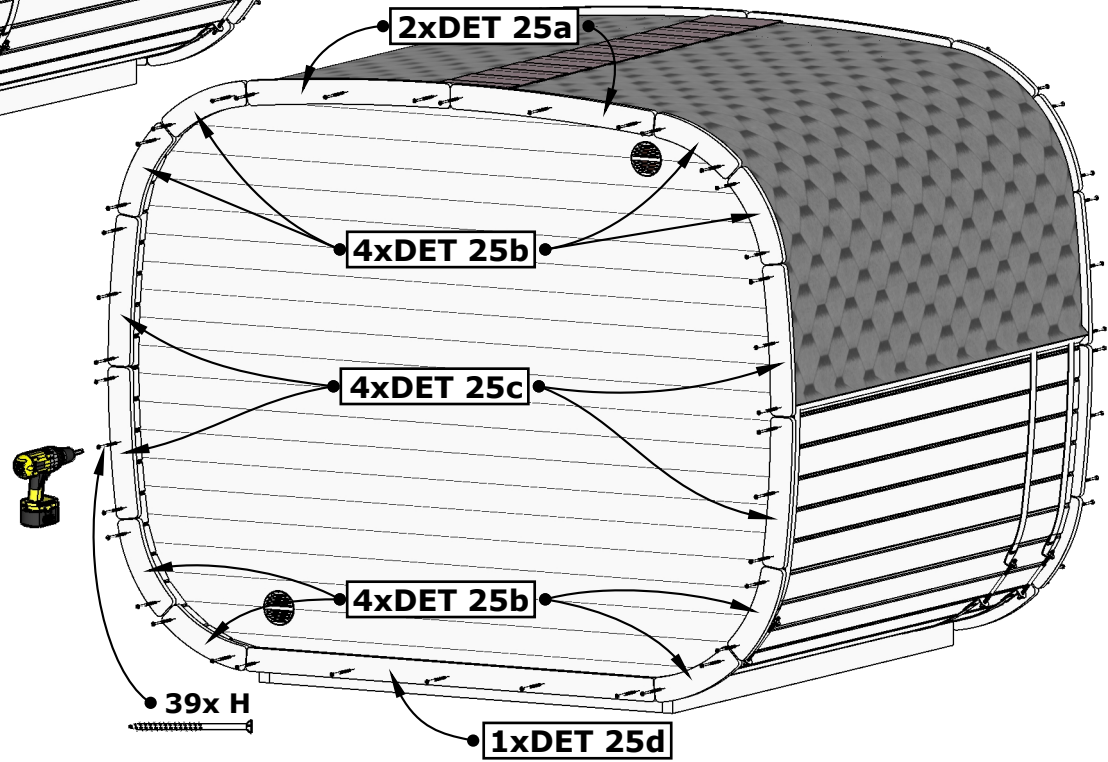
**III**

# Sauna "CuBus" 3\*2,4

Start from the top!



Start from the top!





# Underlay felt installation manual.

