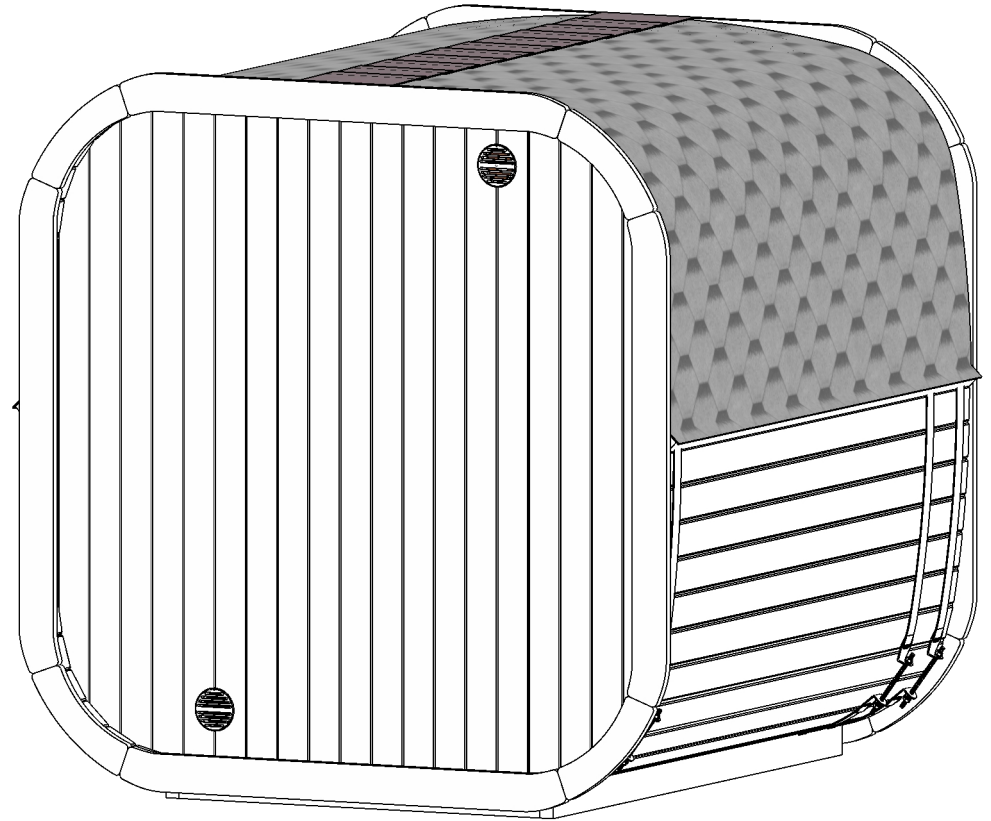
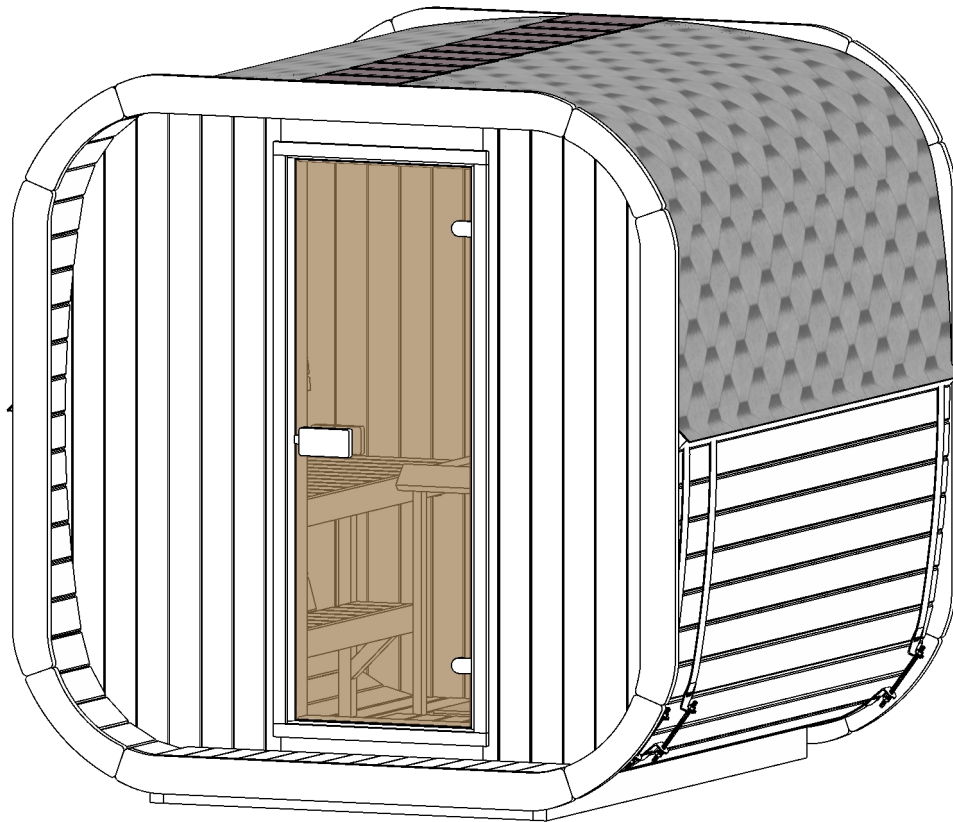


Sauna "Icon" 220,Ø226

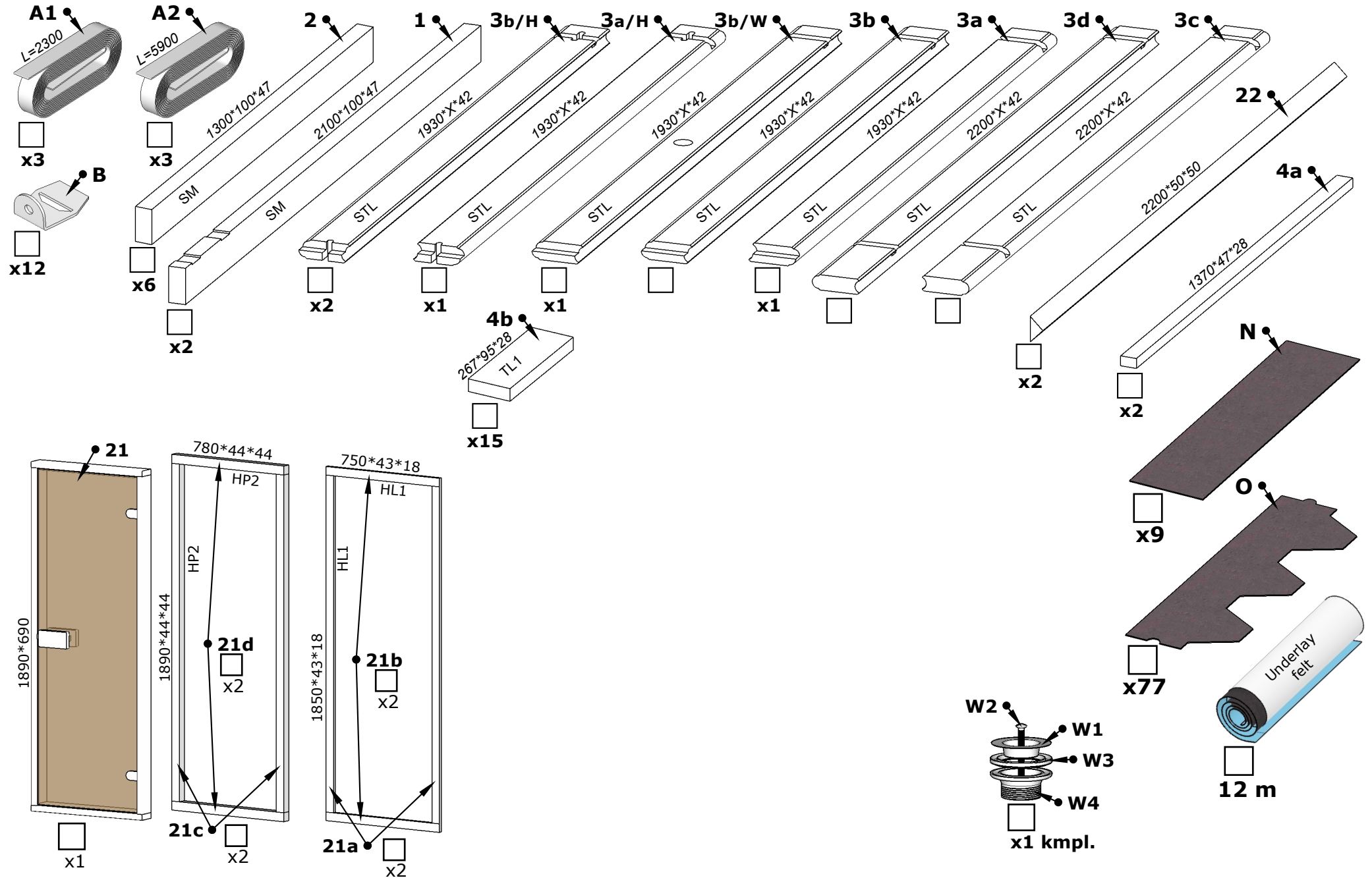
**NB! Please read whole manual
before start.**

**All given measurements
are in millimeters!**



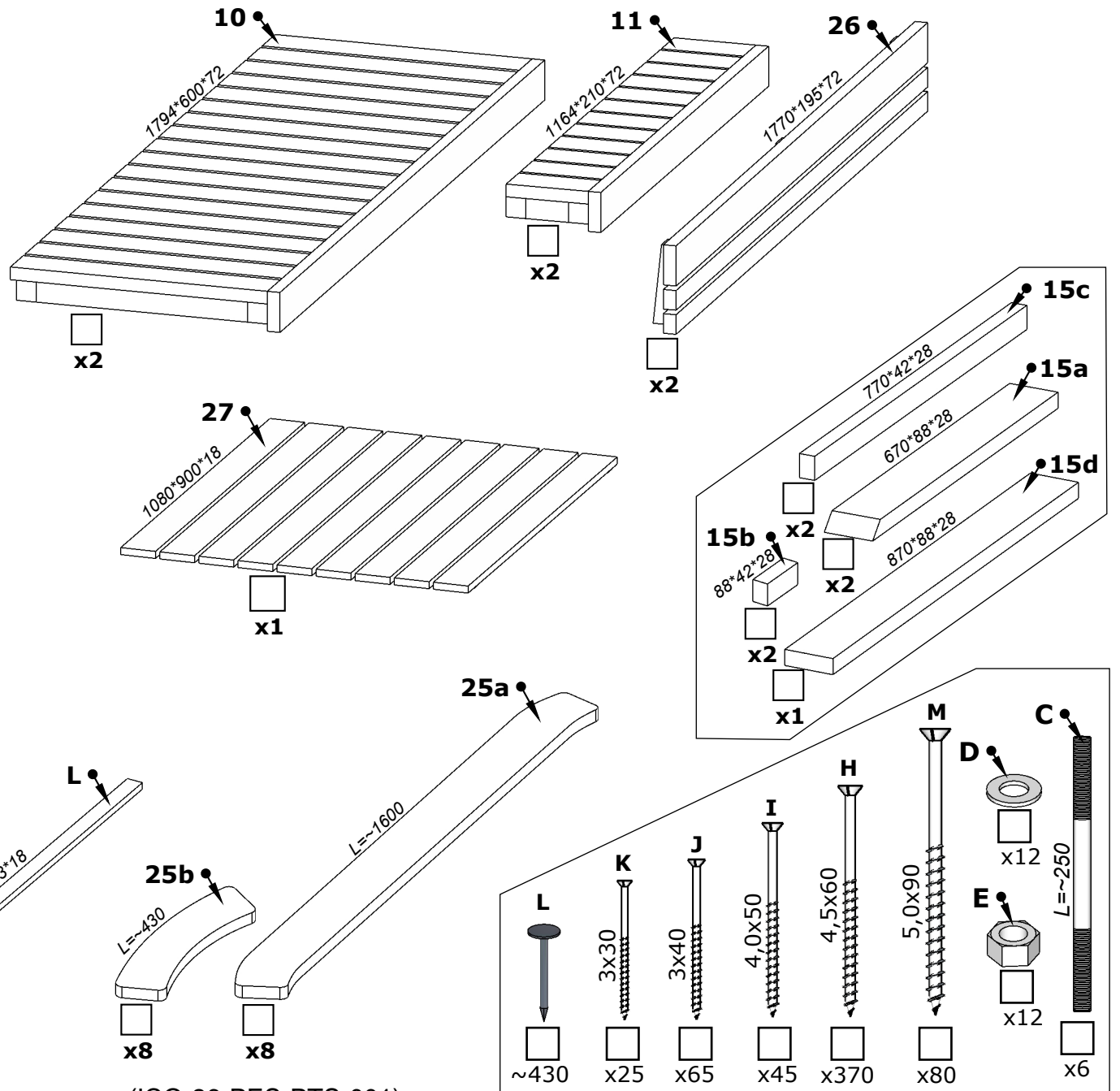
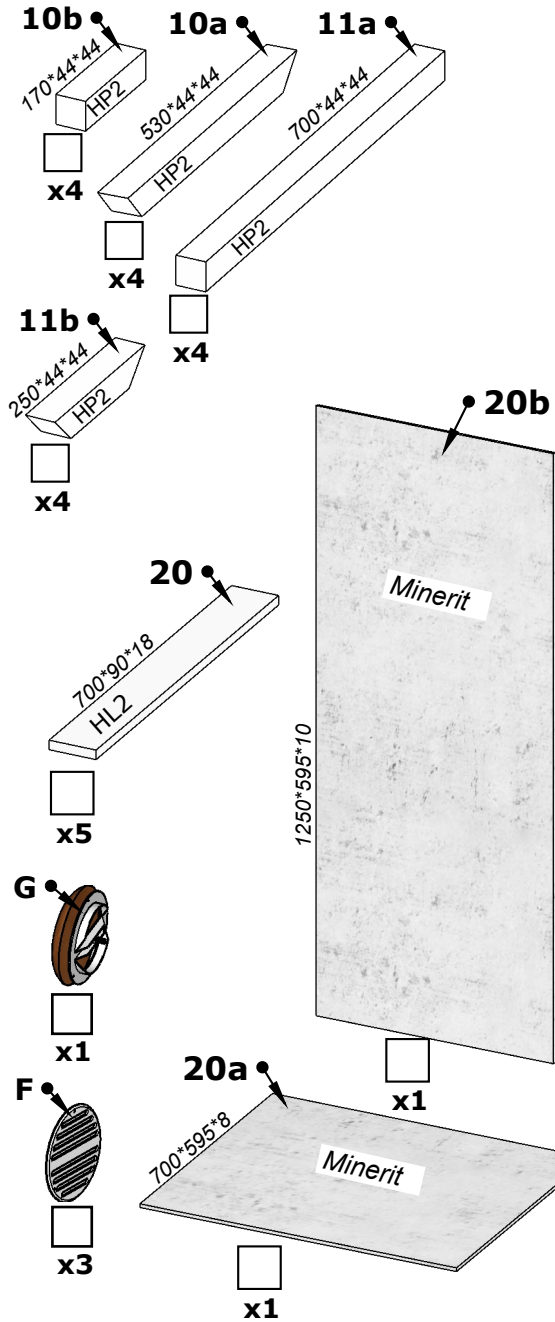
Sauna "Icon" 220,Ø226

Details list 1.



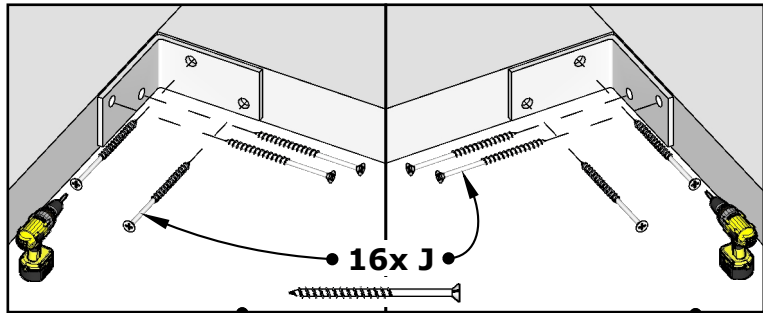
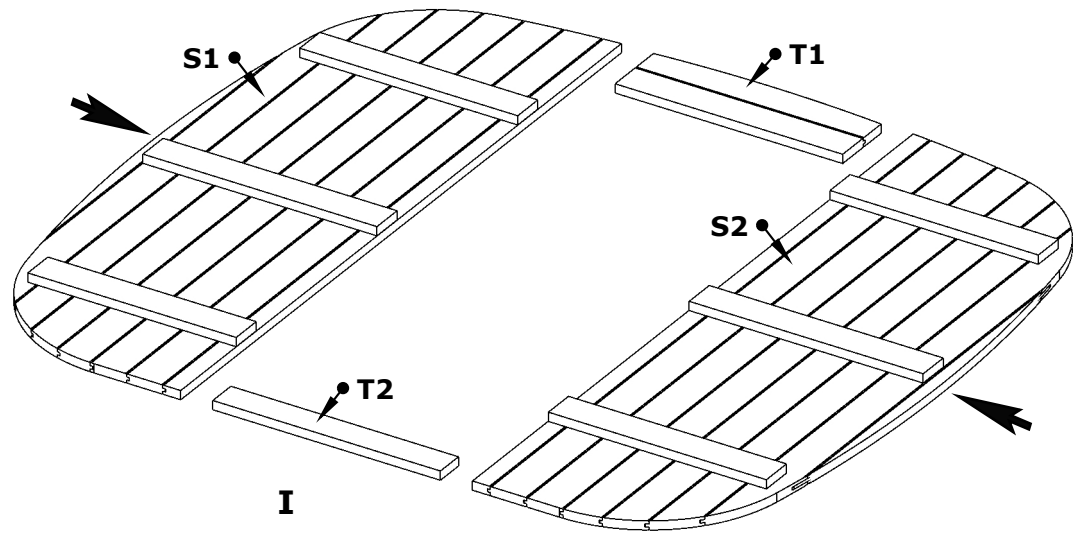
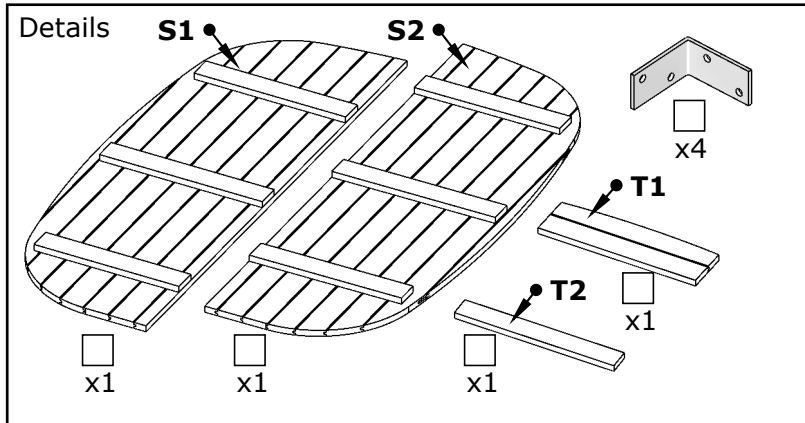
Sauna "Icon" 220,Ø226

Details list 2.

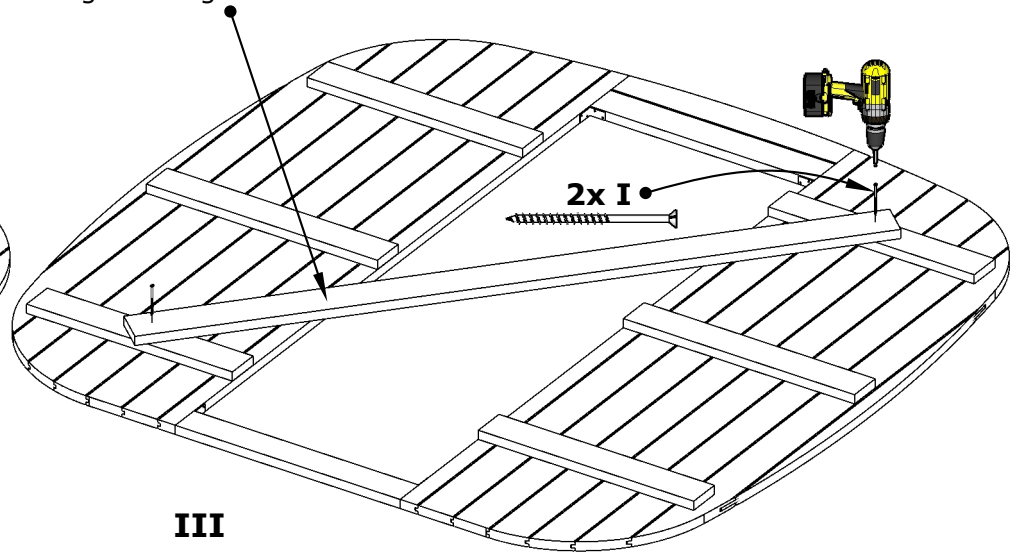
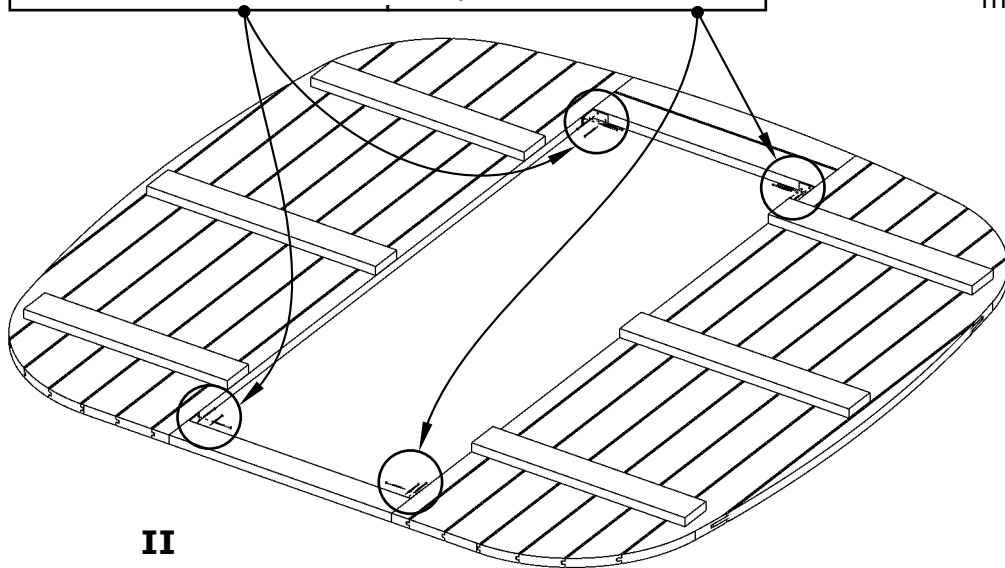


(ICO-26-PES-PTS-001)

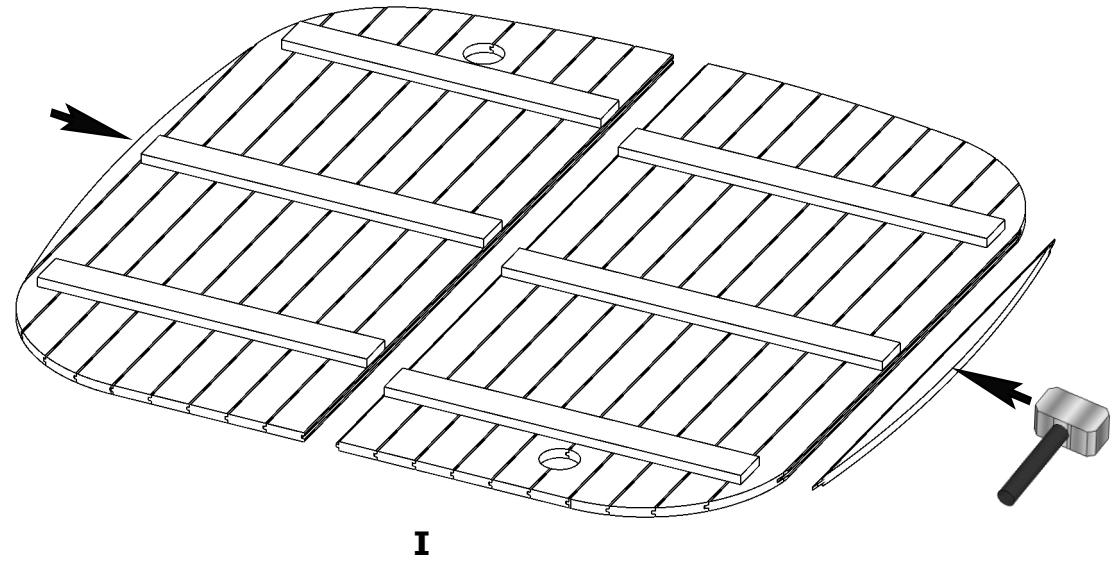
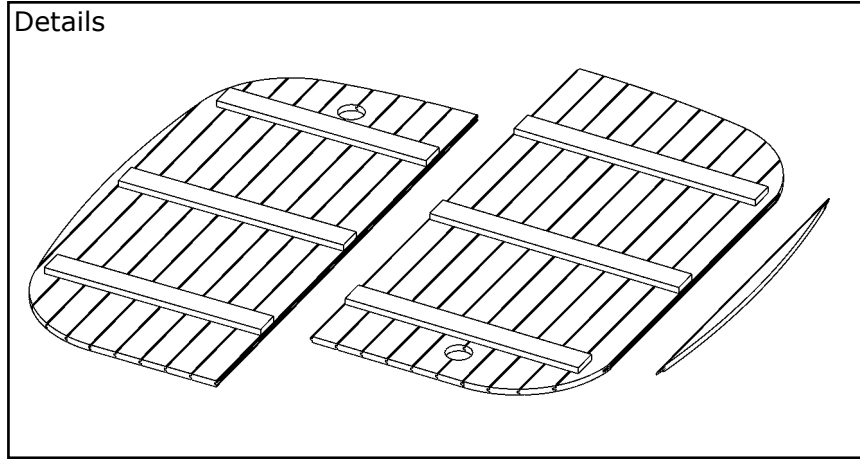
Icon Ø226 Wooden front wall assembly



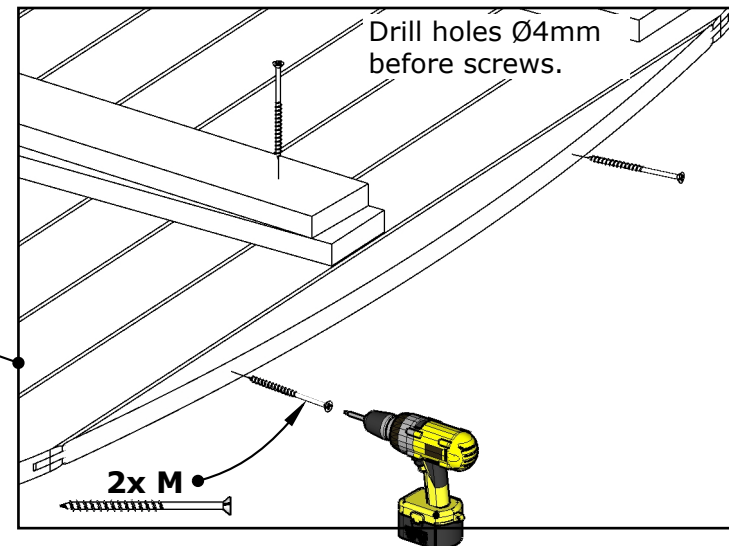
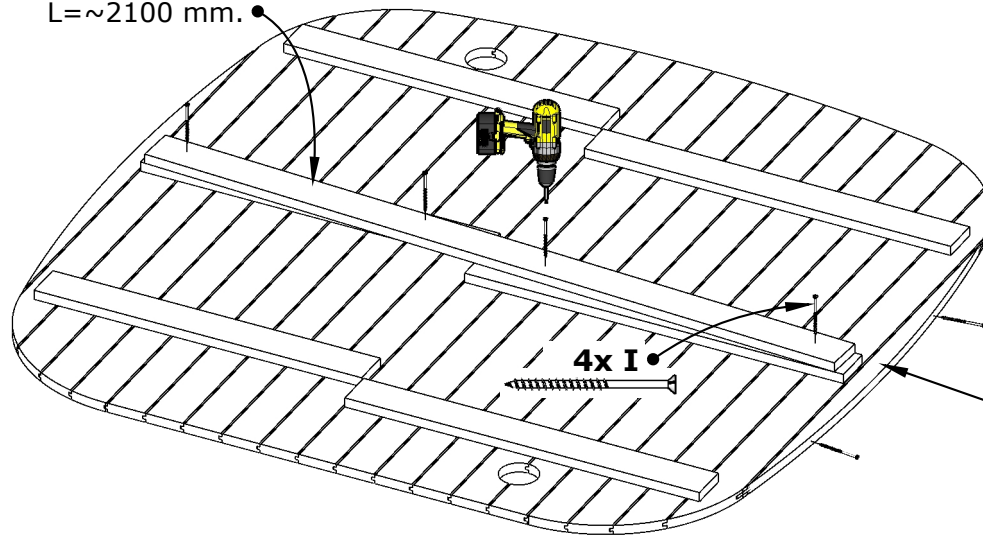
Cut board from pallet L= \sim 2100mm.
Fix it diagonally to make wall
more rigid during the installation.



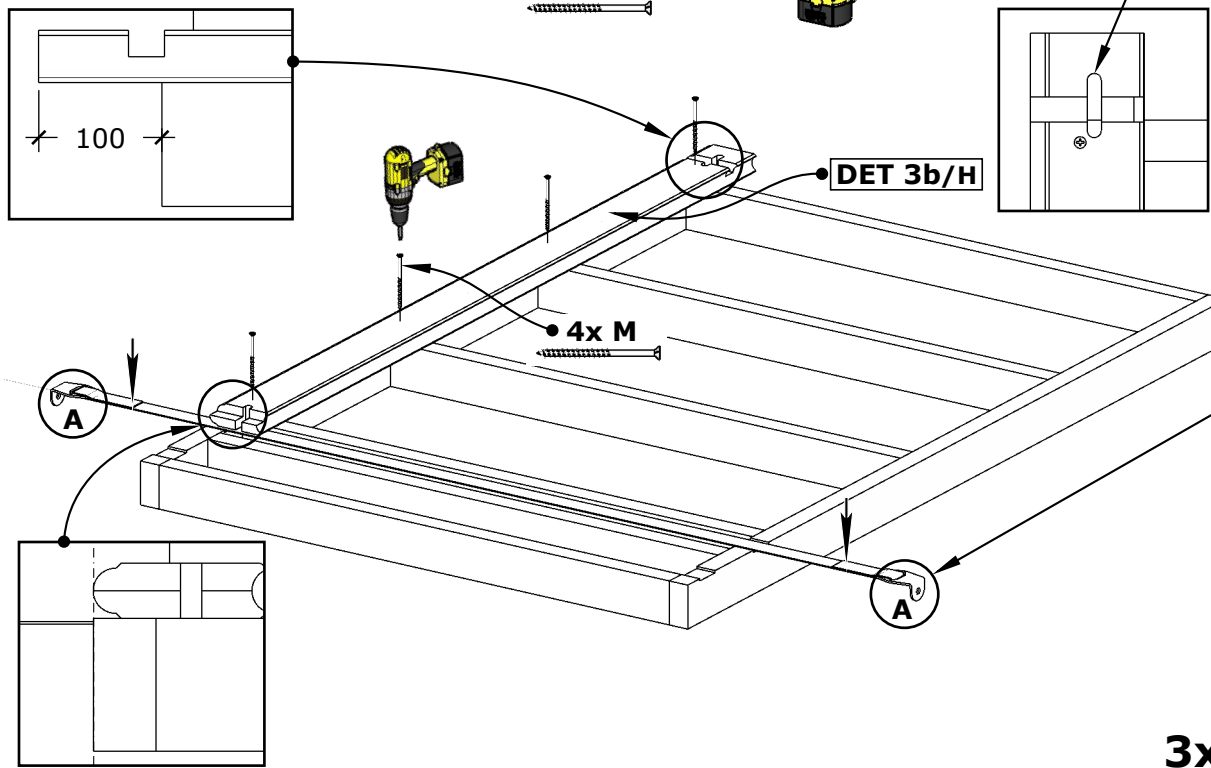
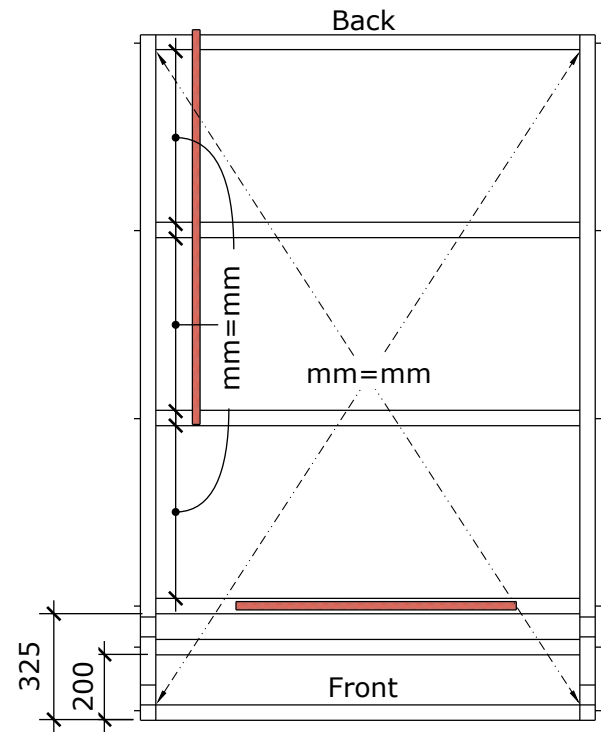
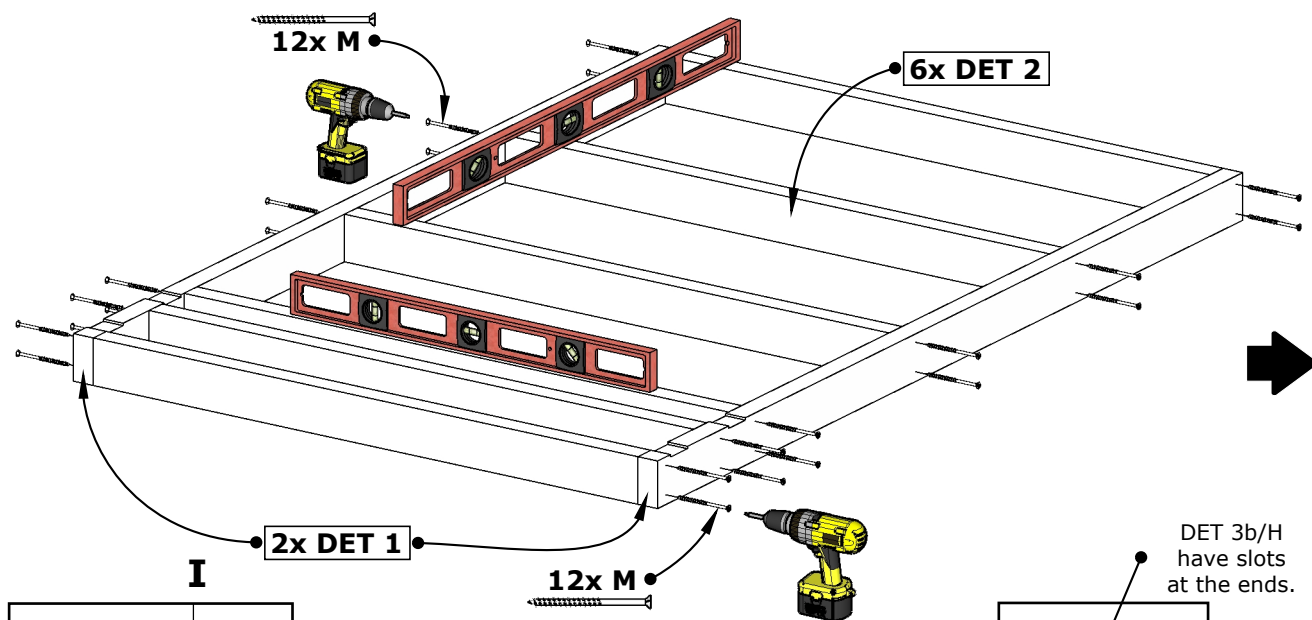
Icon Ø226 Wooden back wall assembly



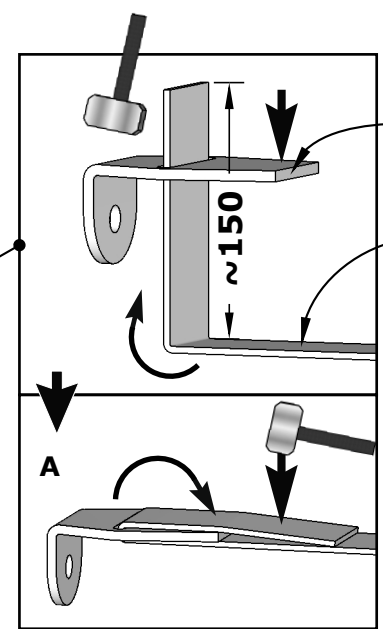
Cut board from pallet
L≈2100 mm.



Sauna "Icon" 220,Ø226



DET 3b/H have slots at the ends.

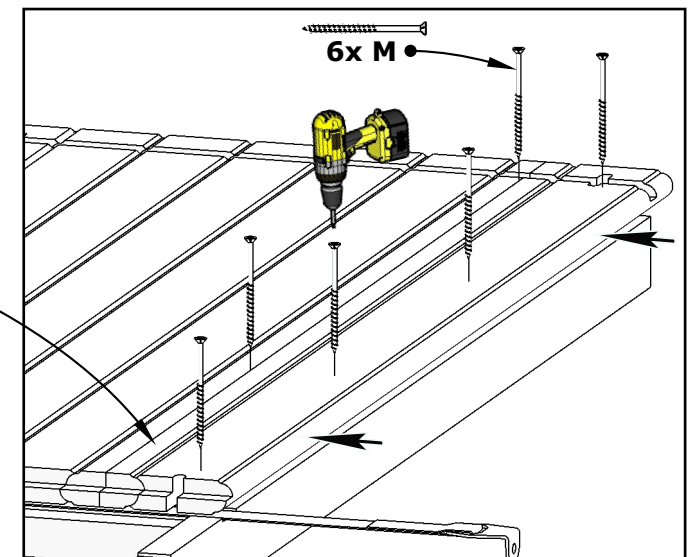
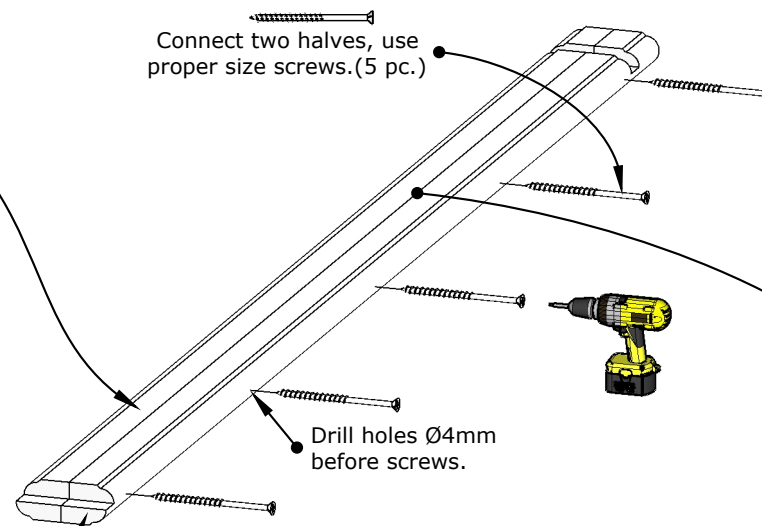
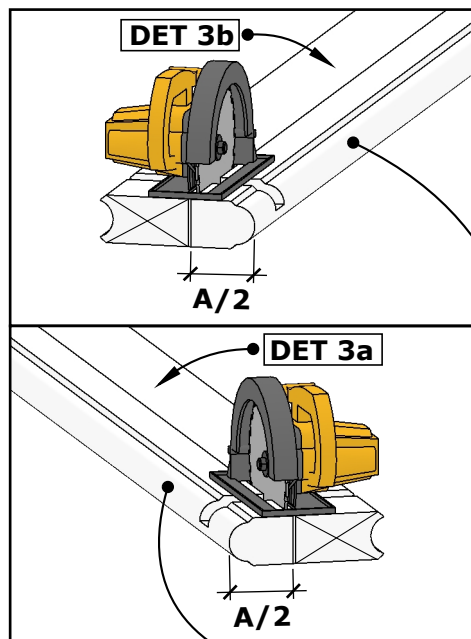
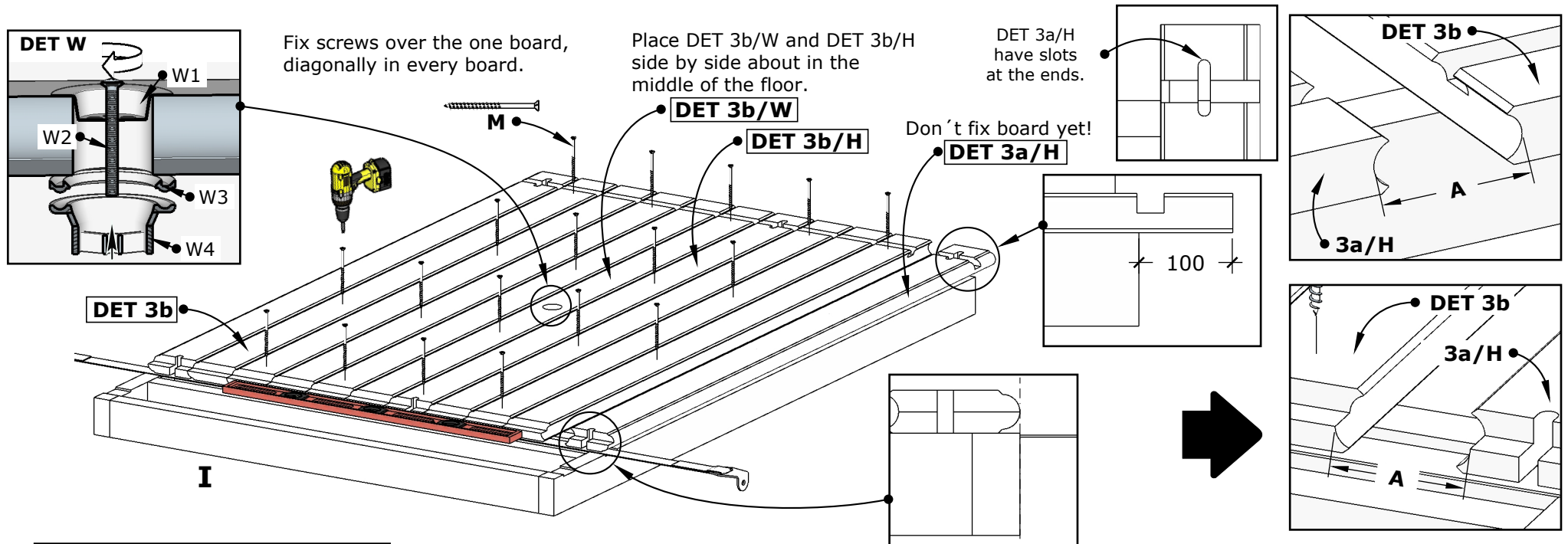


Make all 3 sets, rest of them You will need later.

3x

1. II

Sauna "Icon" 220,Ø226



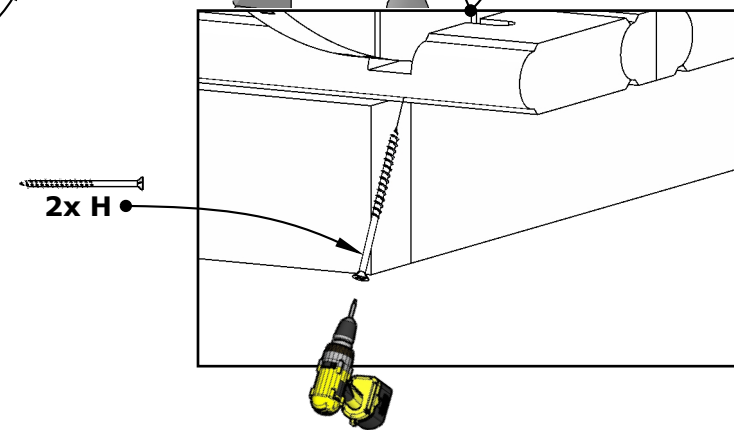
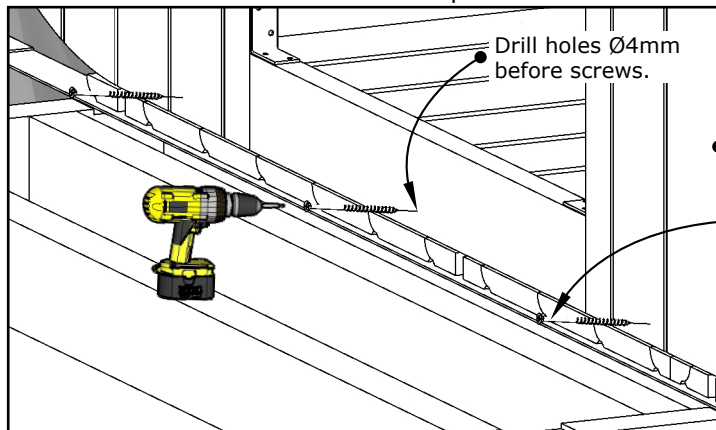
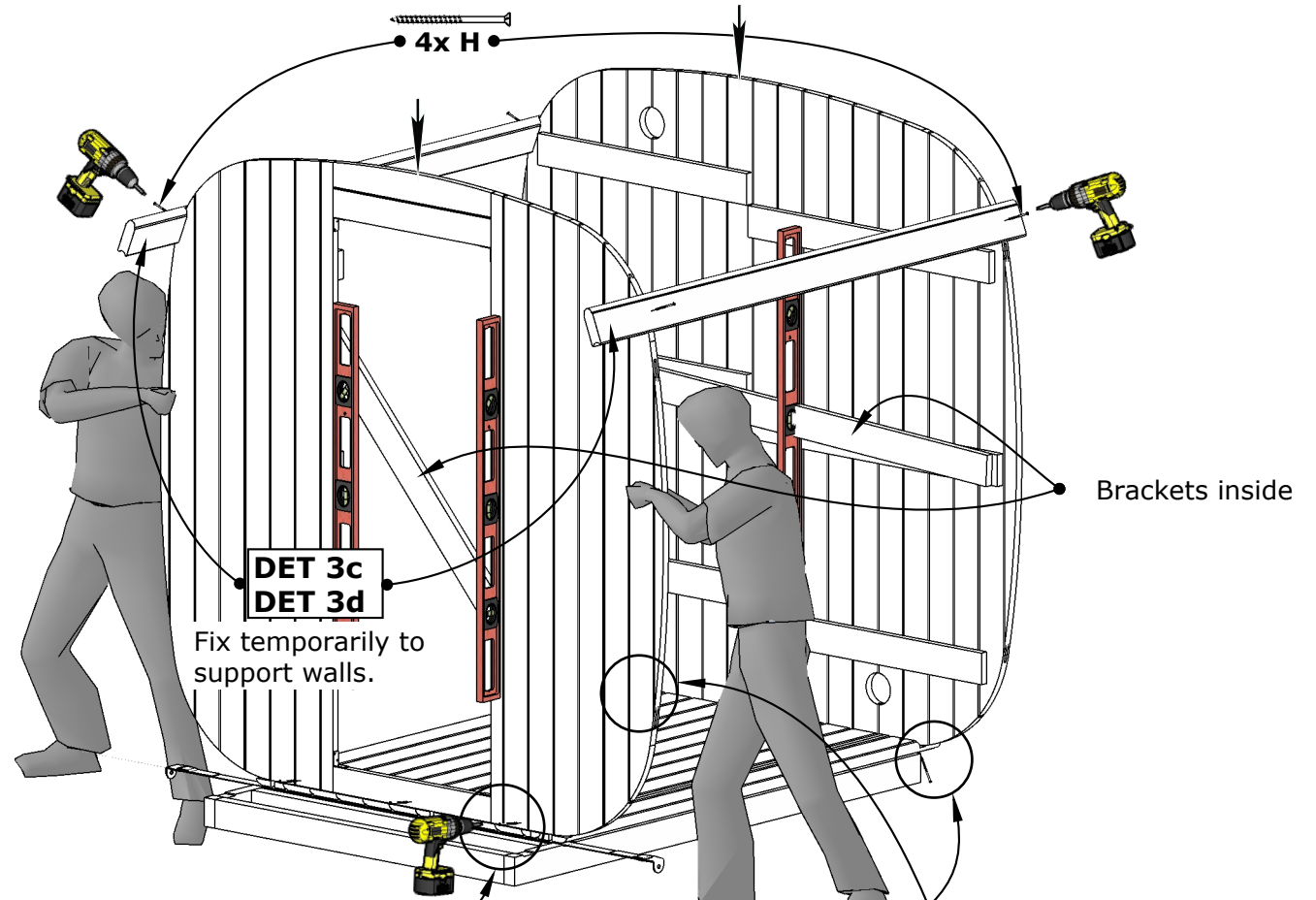
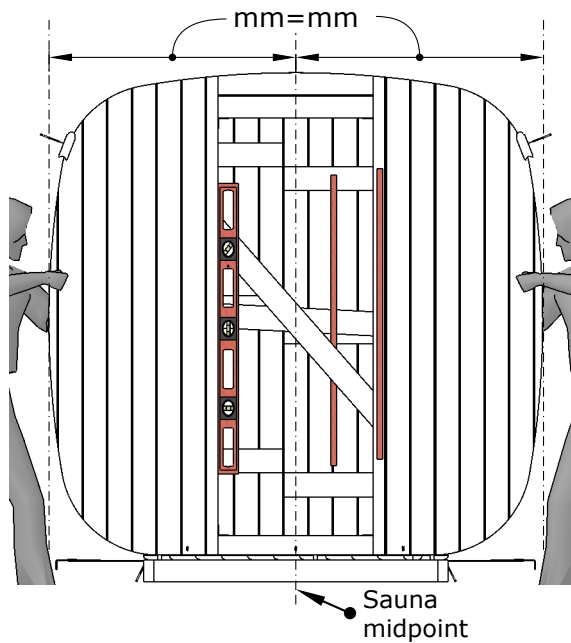
Sauna "Icon" 220,Ø226

Use waterlevel

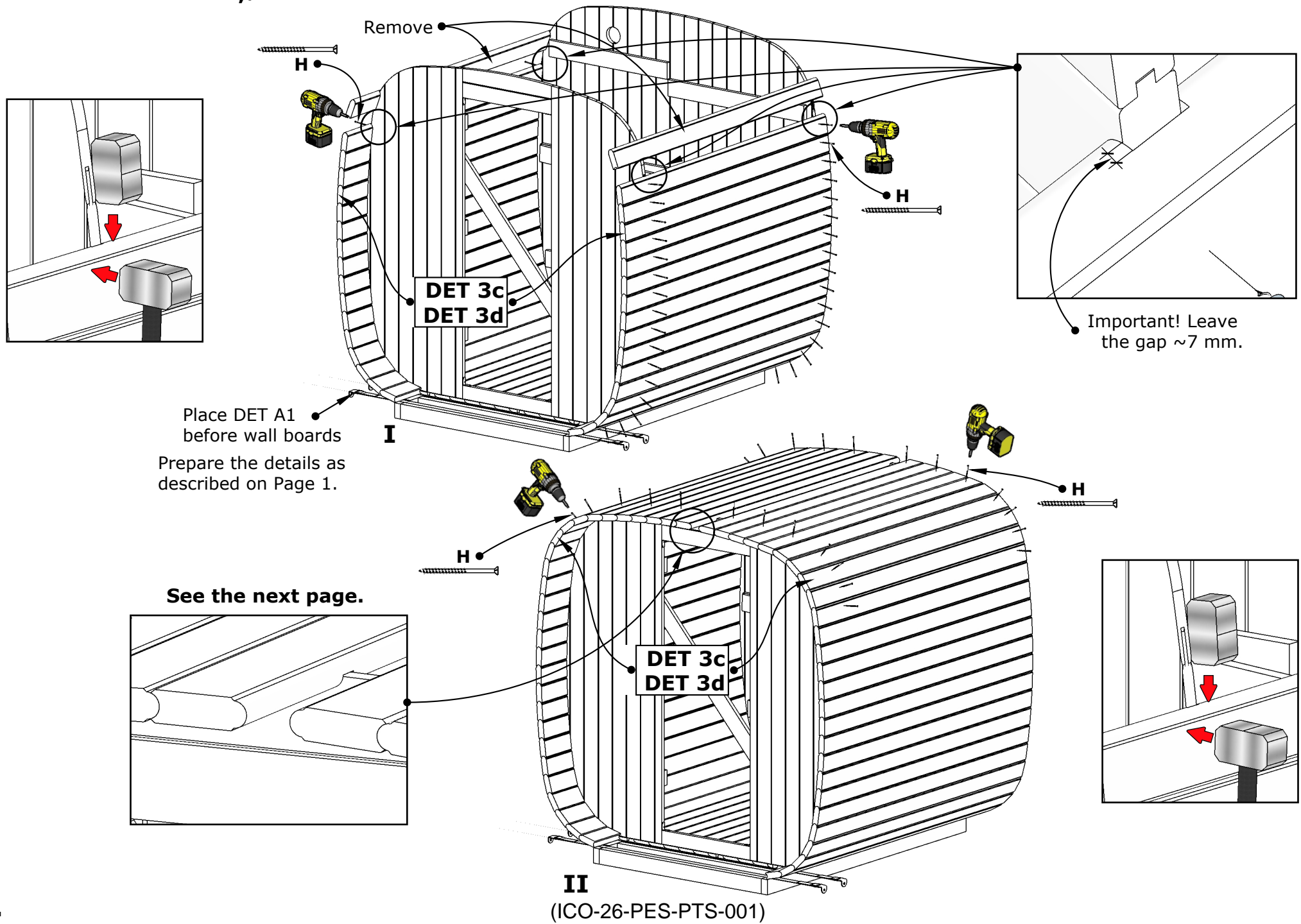


Check walls installation manual on extra pages!

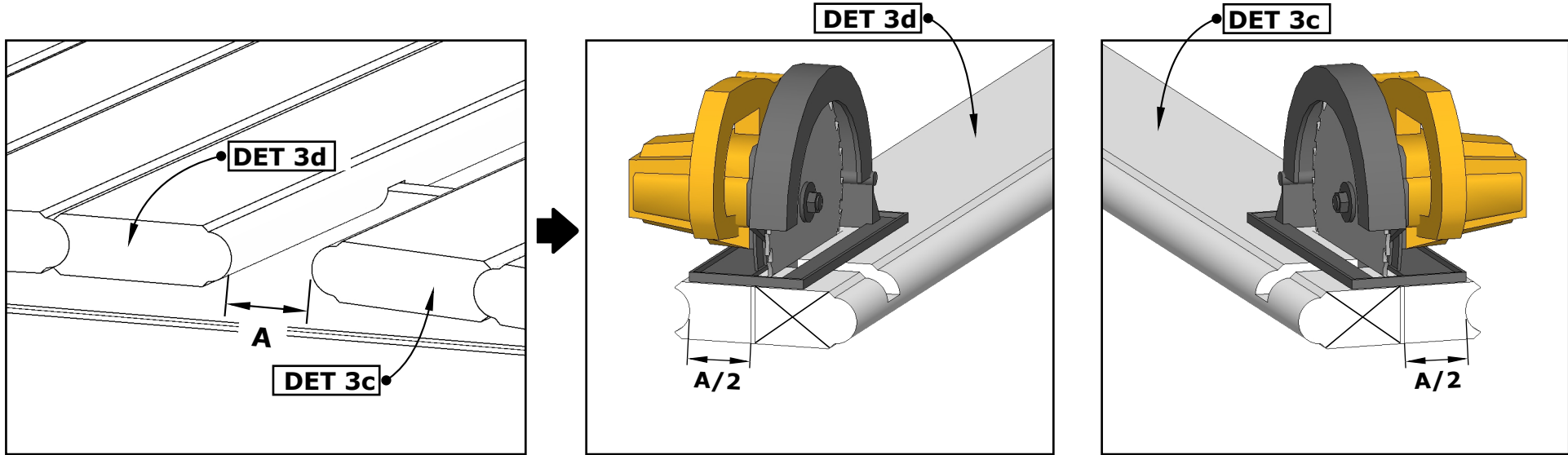
Sauna wall configuration depends on Your model!



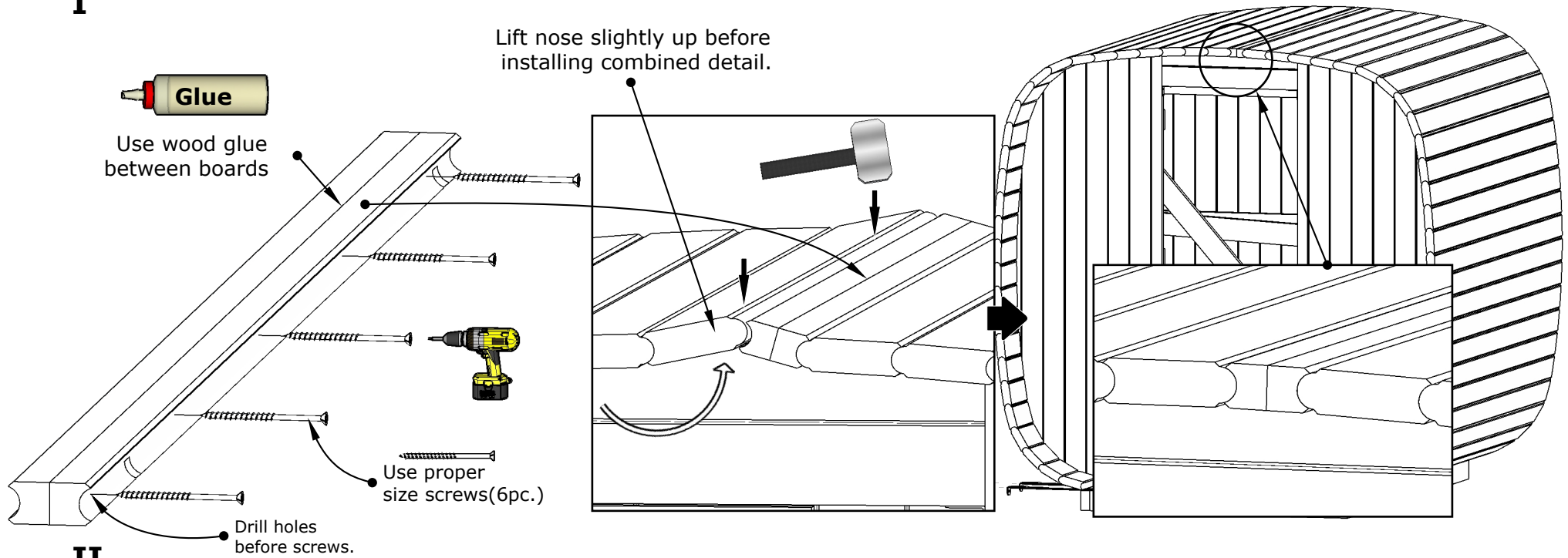
Sauna "Icon" 220,Ø226



Sauna "Icon" 220,Ø226



I

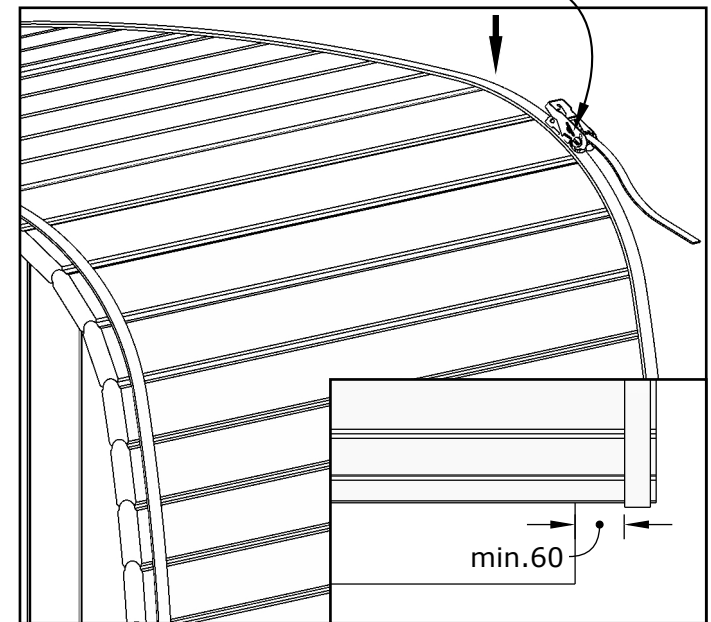
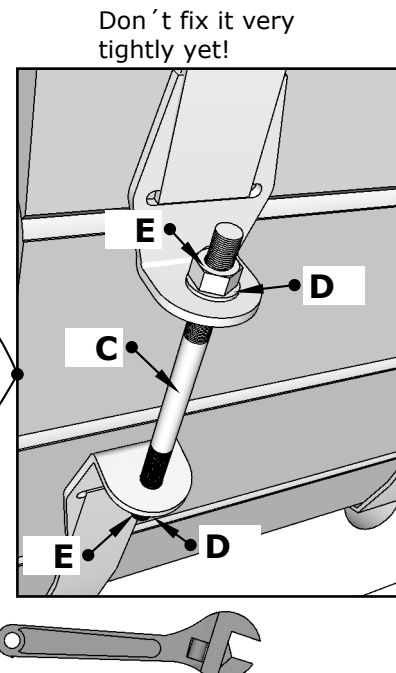
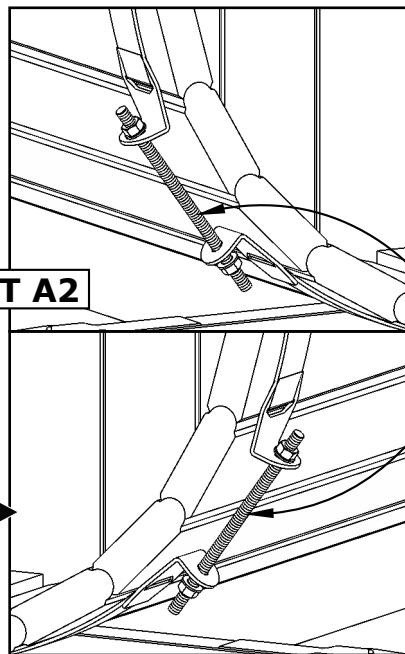
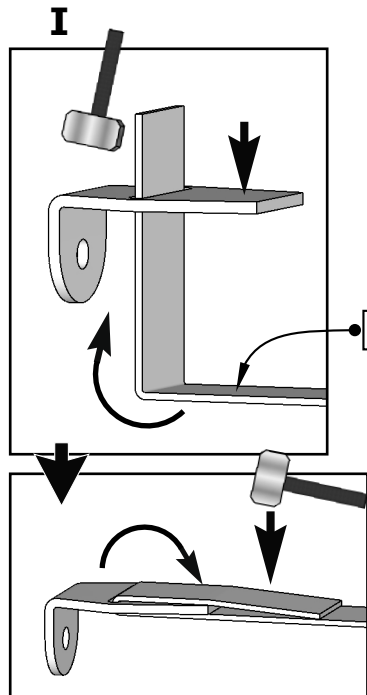
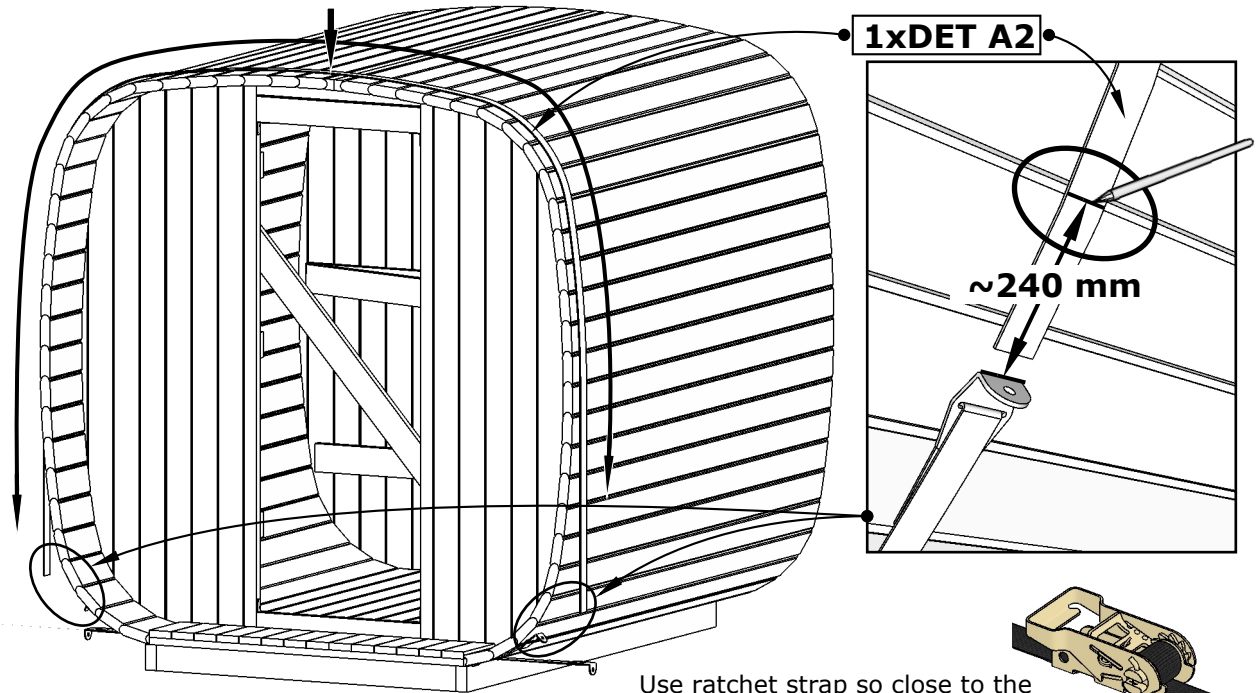
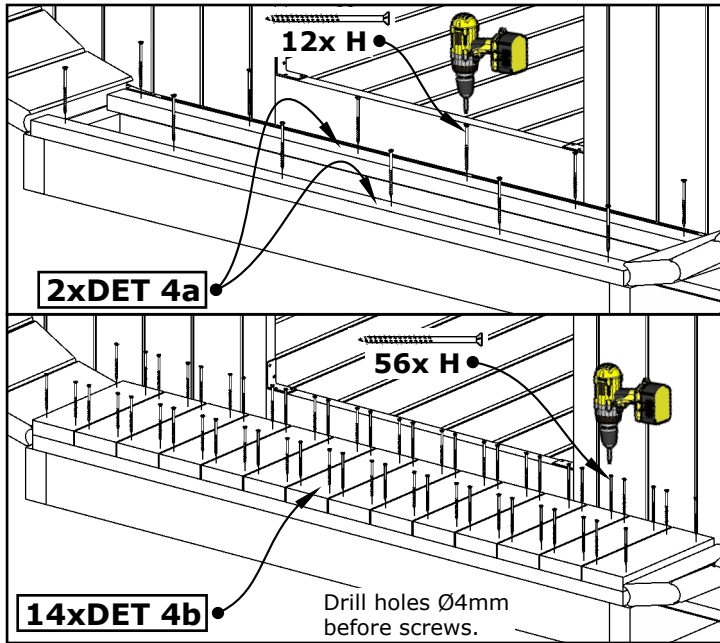


II

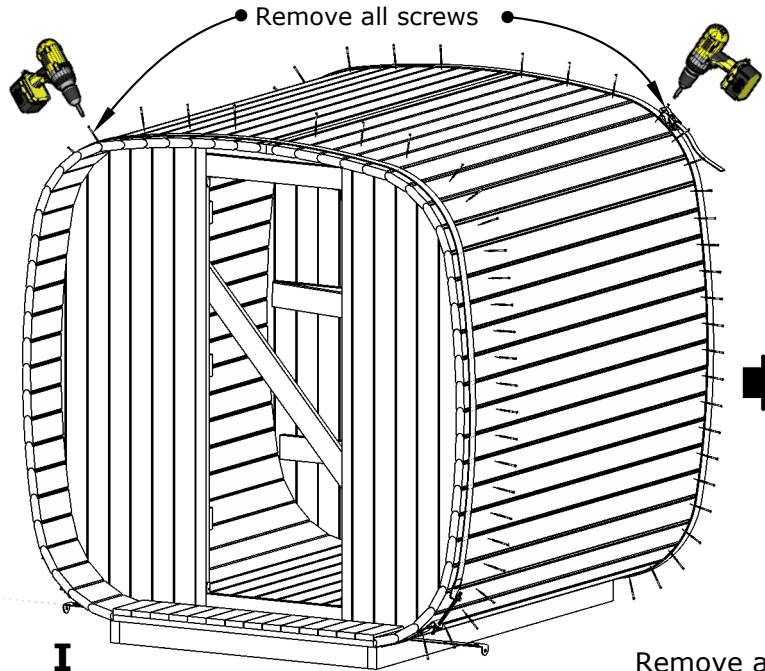
5.

(ICO-26-PES-PTS-001)

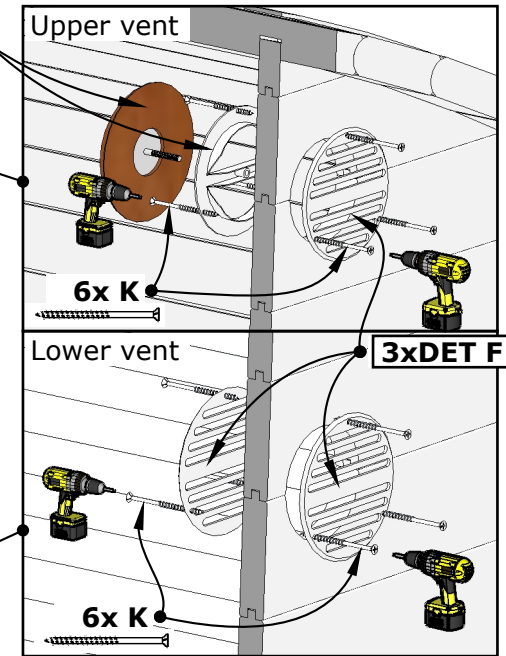
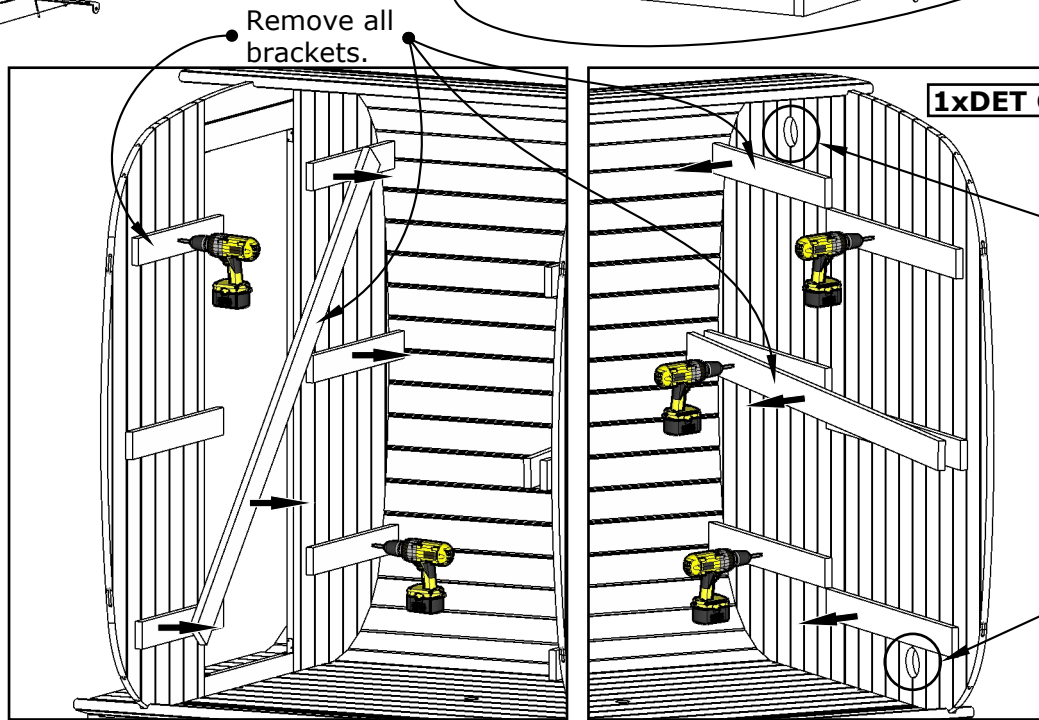
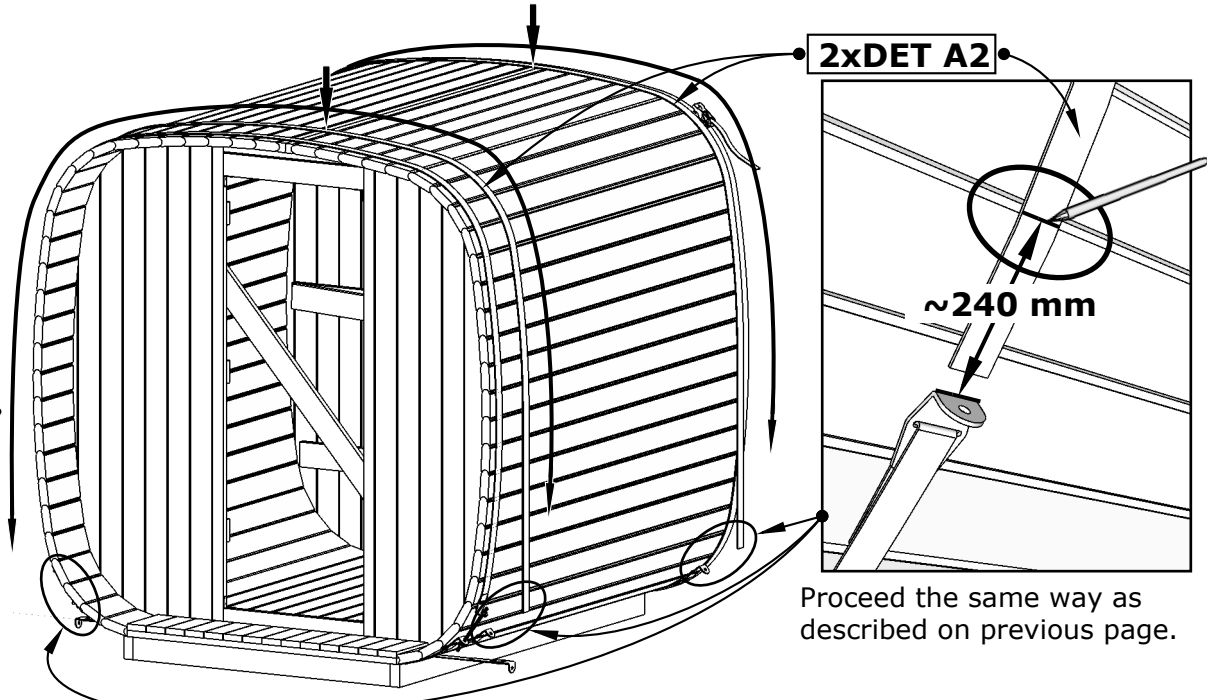
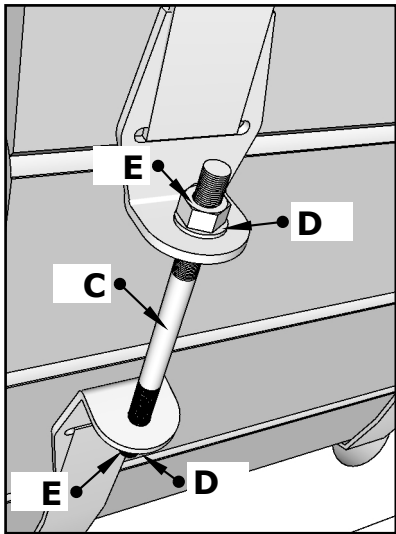
Sauna "Icon" 220,Ø226



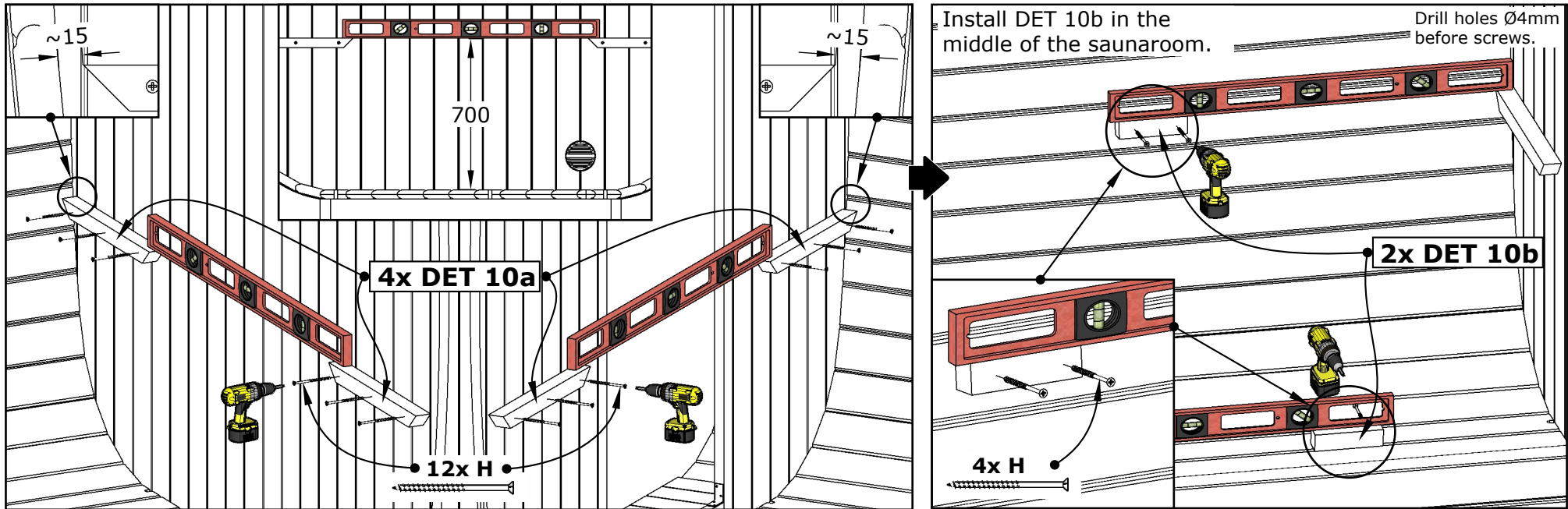
Sauna "Icon" 220,Ø226



Now fix all nuts tightly!
Remove ratchet strap!

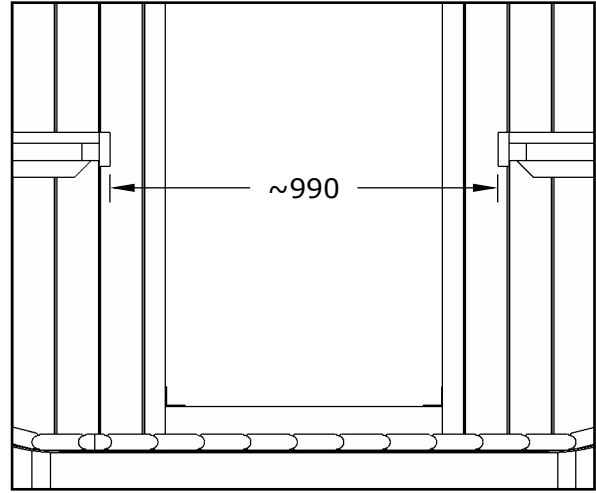
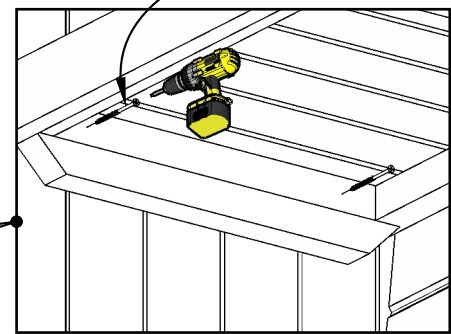
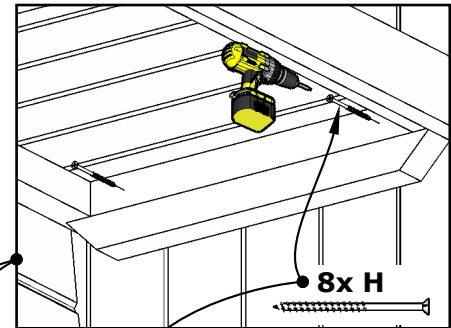
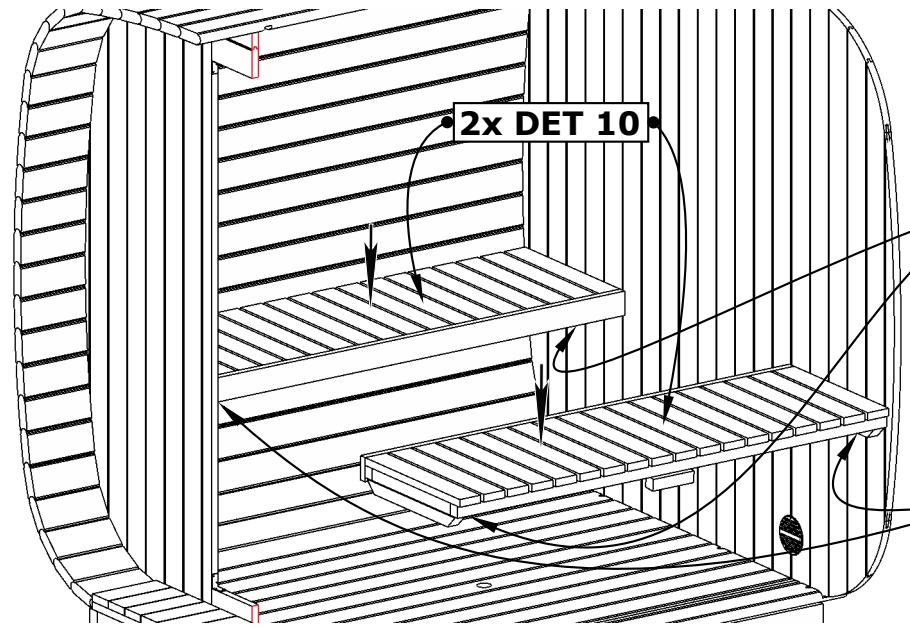


Sauna "Icon" 220,Ø226



I

NB! If Your sauna equipped with front glass-wall, the sauna benches installation manual included in front glass-wall installation manual.

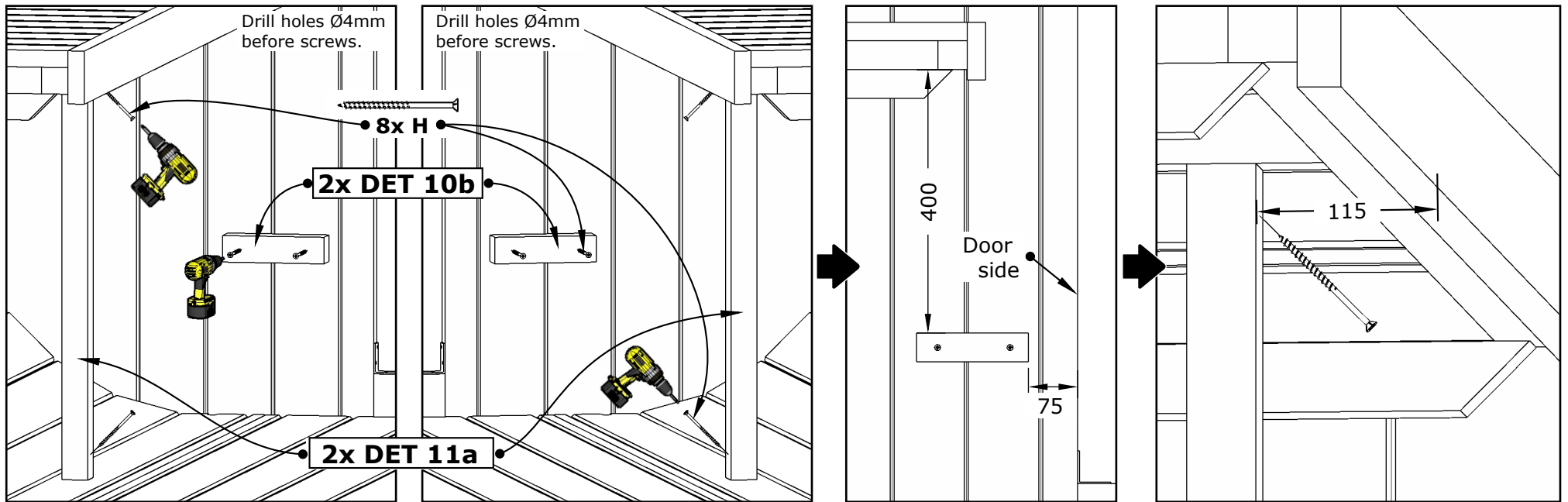


8.

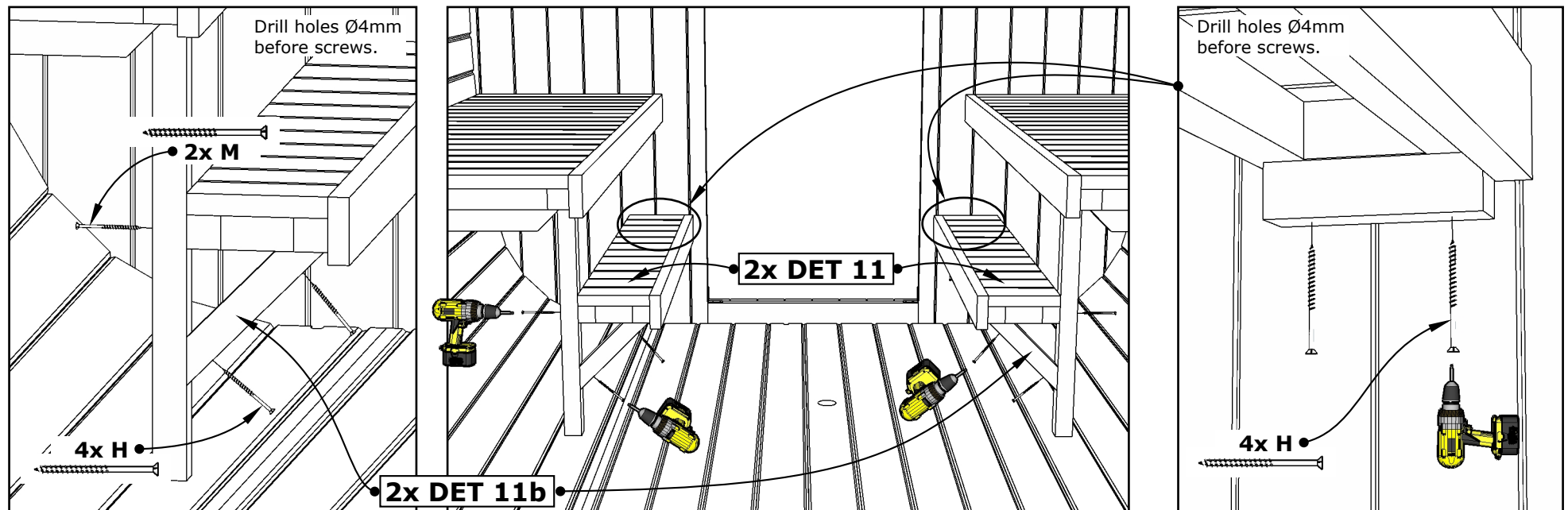
II

(ICO-26-PES-PTS-001)

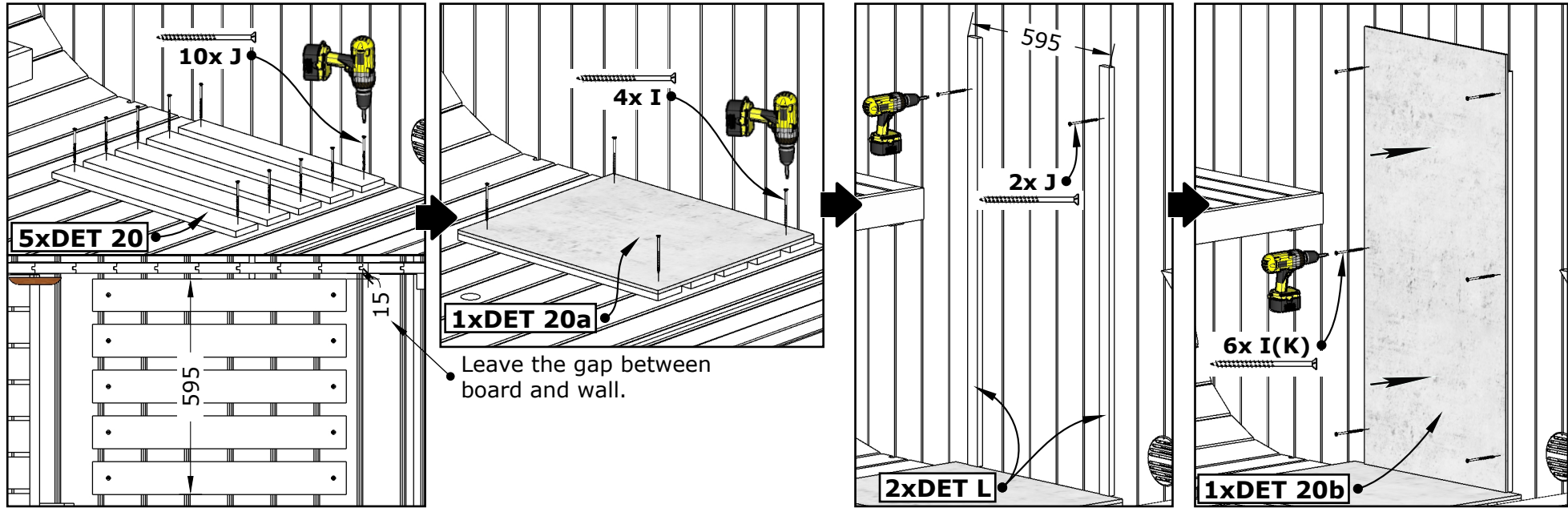
Sauna "Icon" 220,Ø226



I

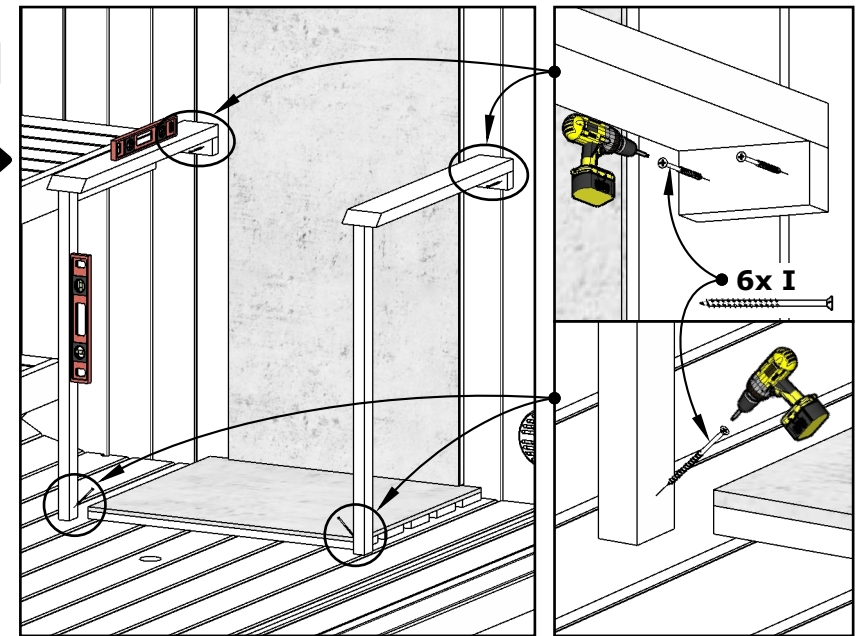
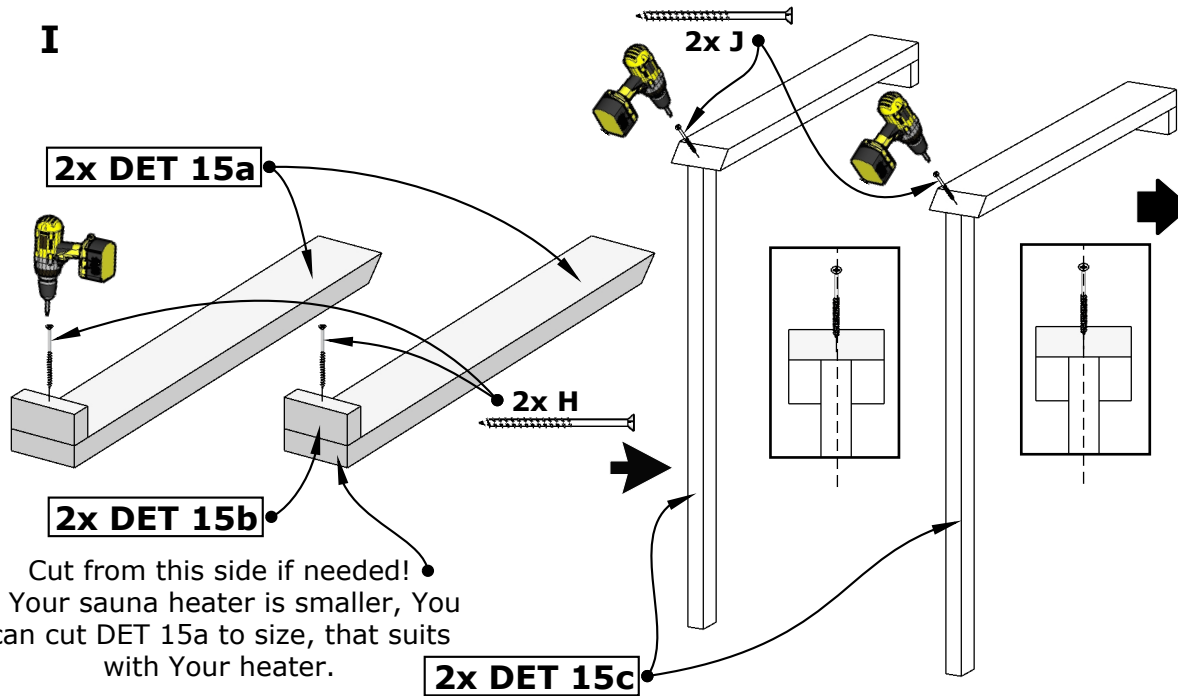


Sauna "Icon" 220,Ø226



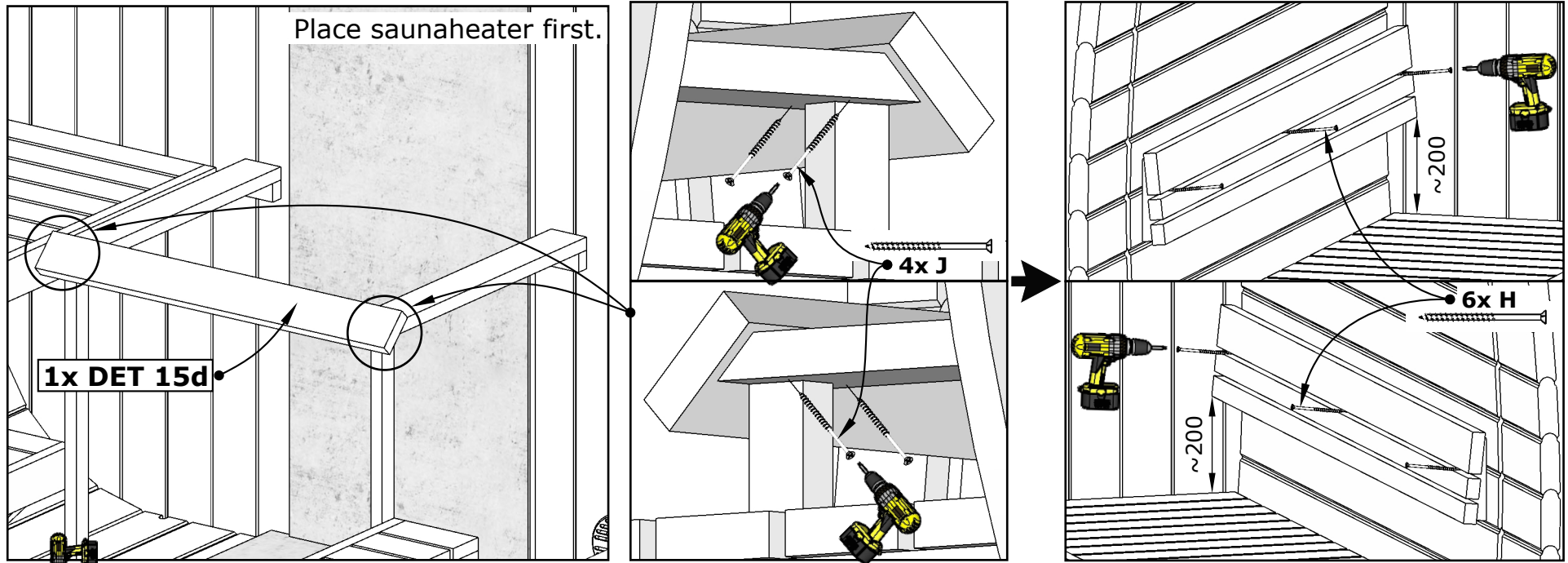
If Your sauna equipped with electrical heater, fix **DET 12 b** directly to the wall without **DET L**. Then use screws **K**.

I

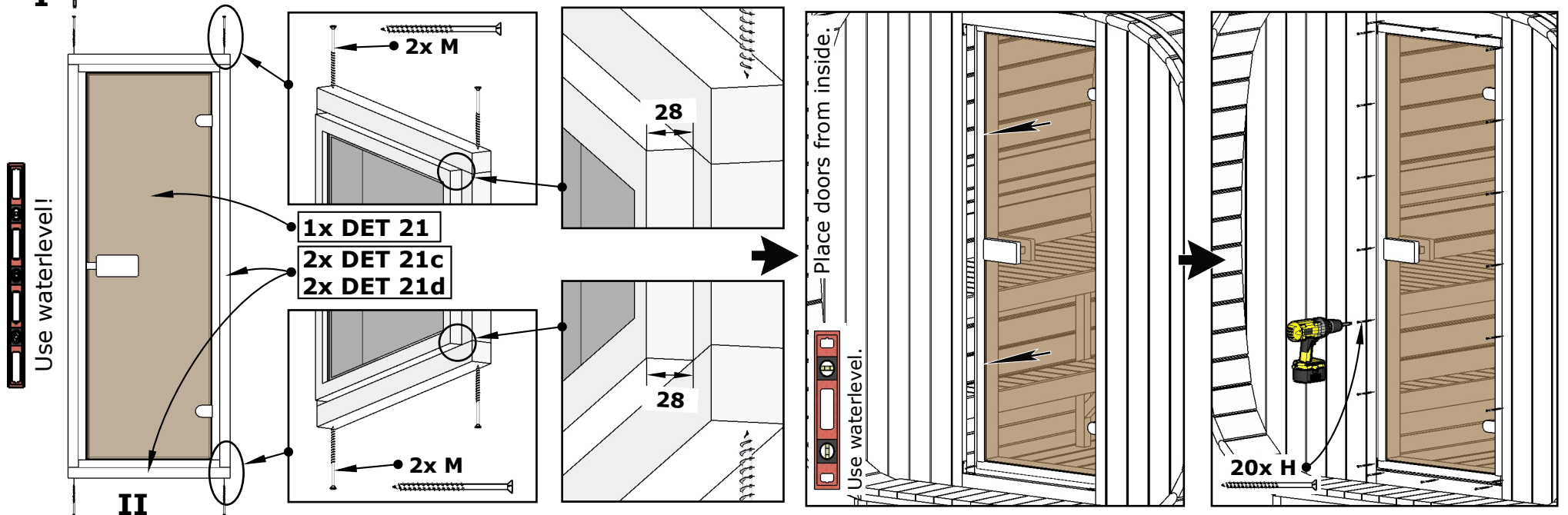


10. **II**

Sauna "Icon" 220,Ø226



I



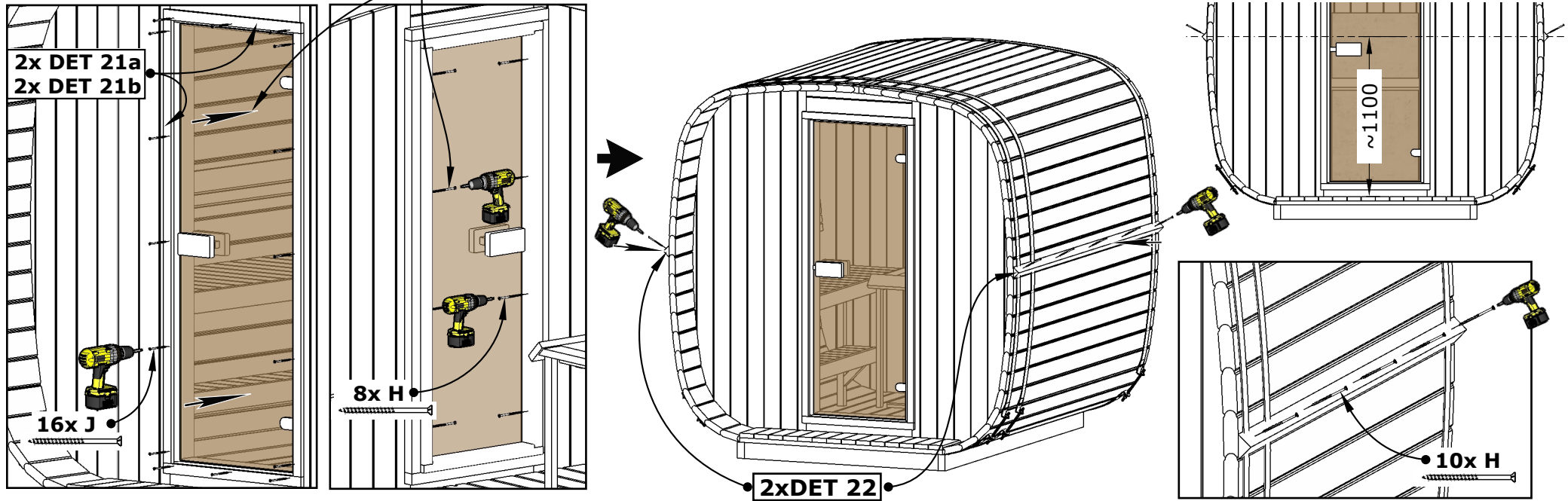
11.

II

(ICO-26-PES-PTS-001)

Sauna "Icon" 220,Ø226

Press door tightly against the wall and fasten from inside



I

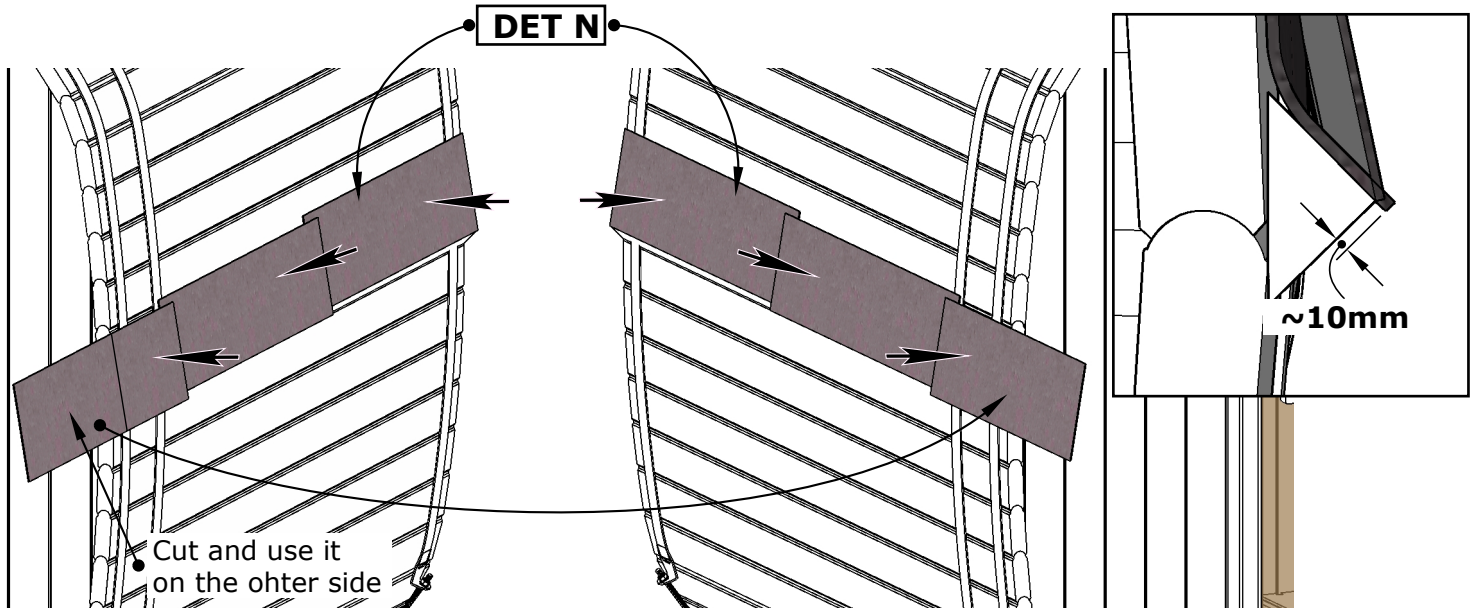


NB! Before roof shingles, install underlay felt. Check underlay felt installation manual on extra pages.

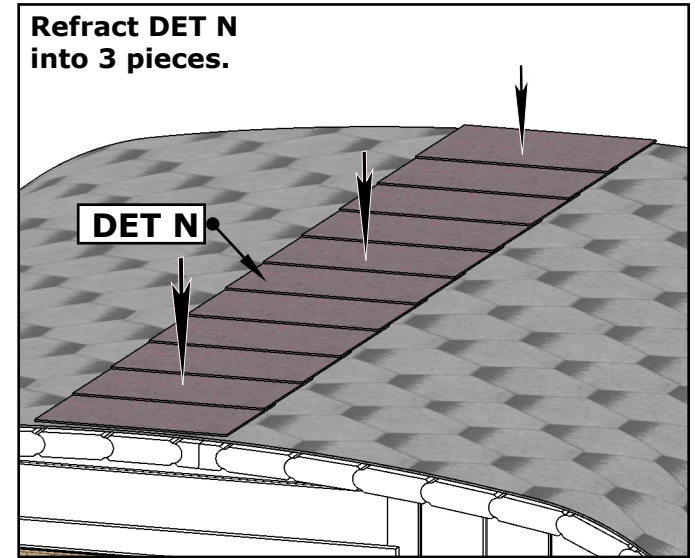
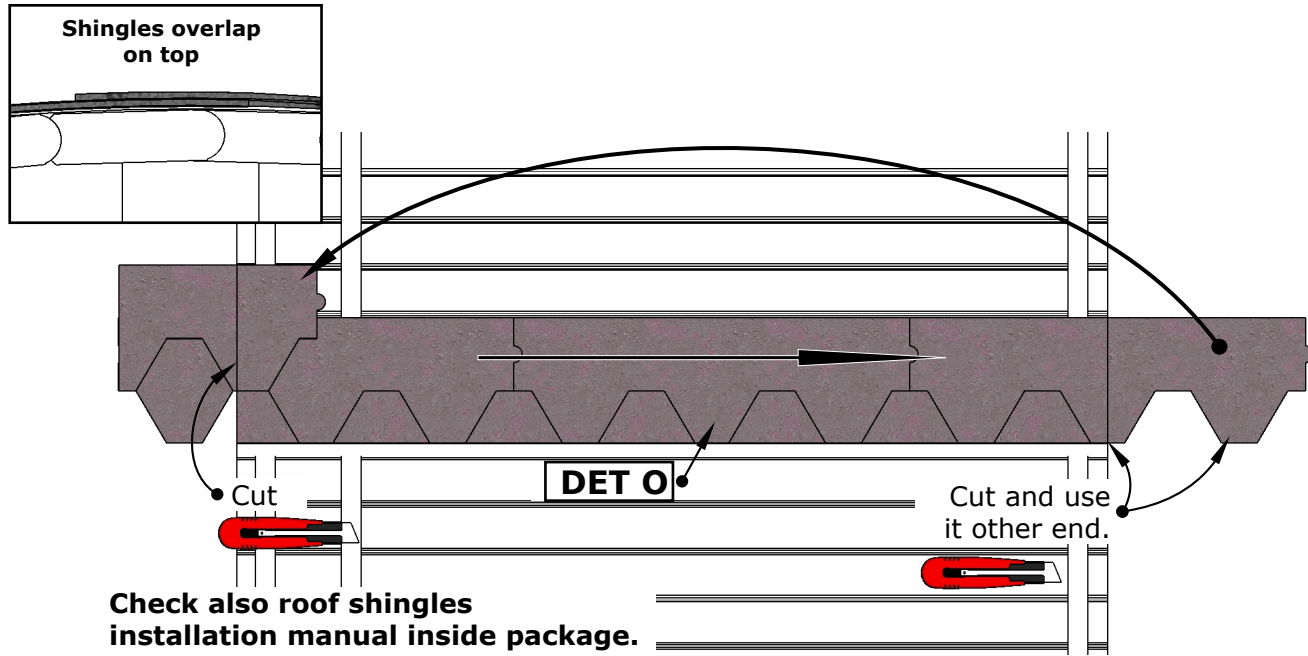
Check also roof shingles installation manual inside package.



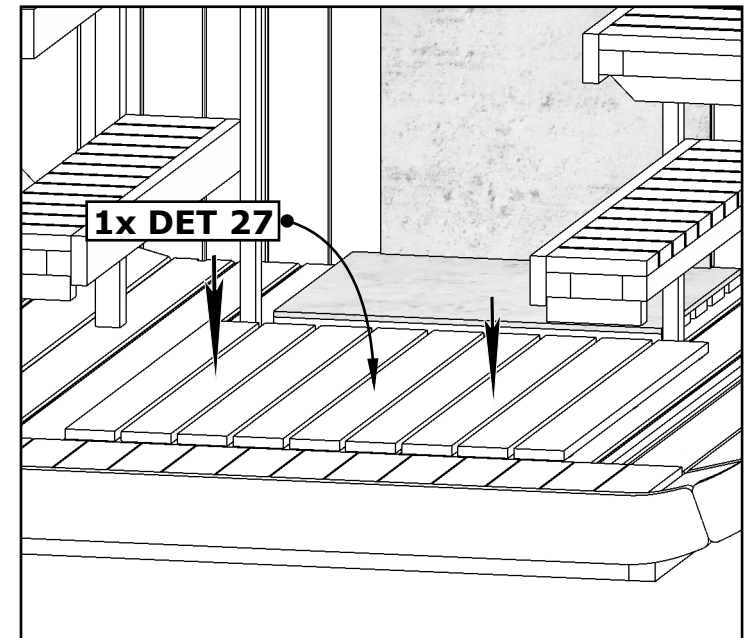
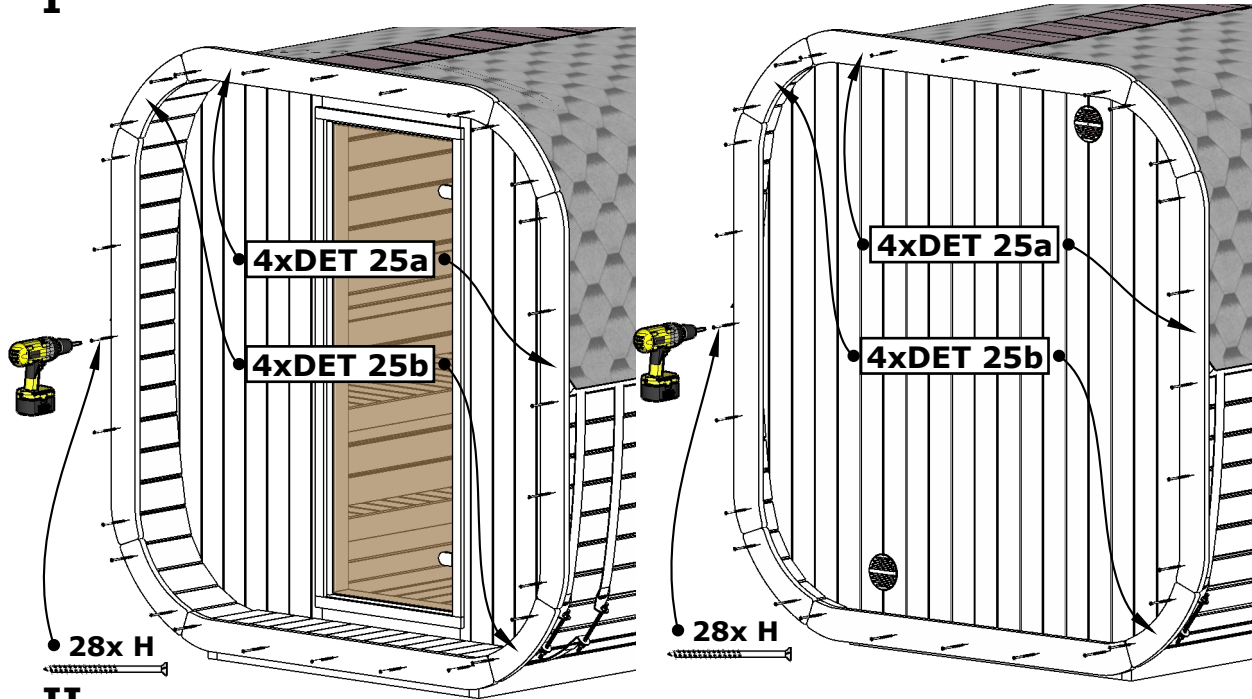
II



Sauna "Icon" 220,Ø226



I



13. II

Underlay felt installation manual.

