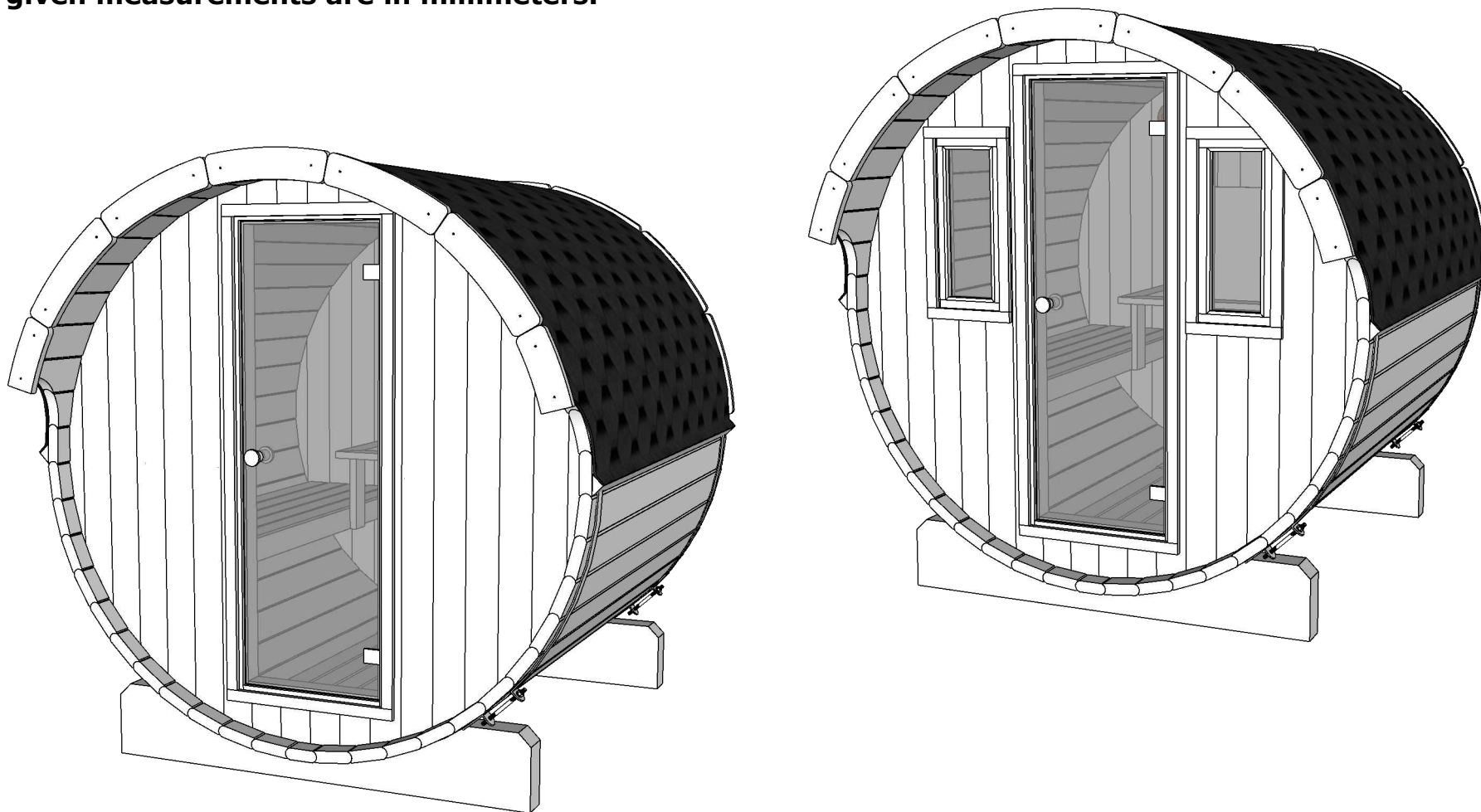


# Sauna 220, Ø200

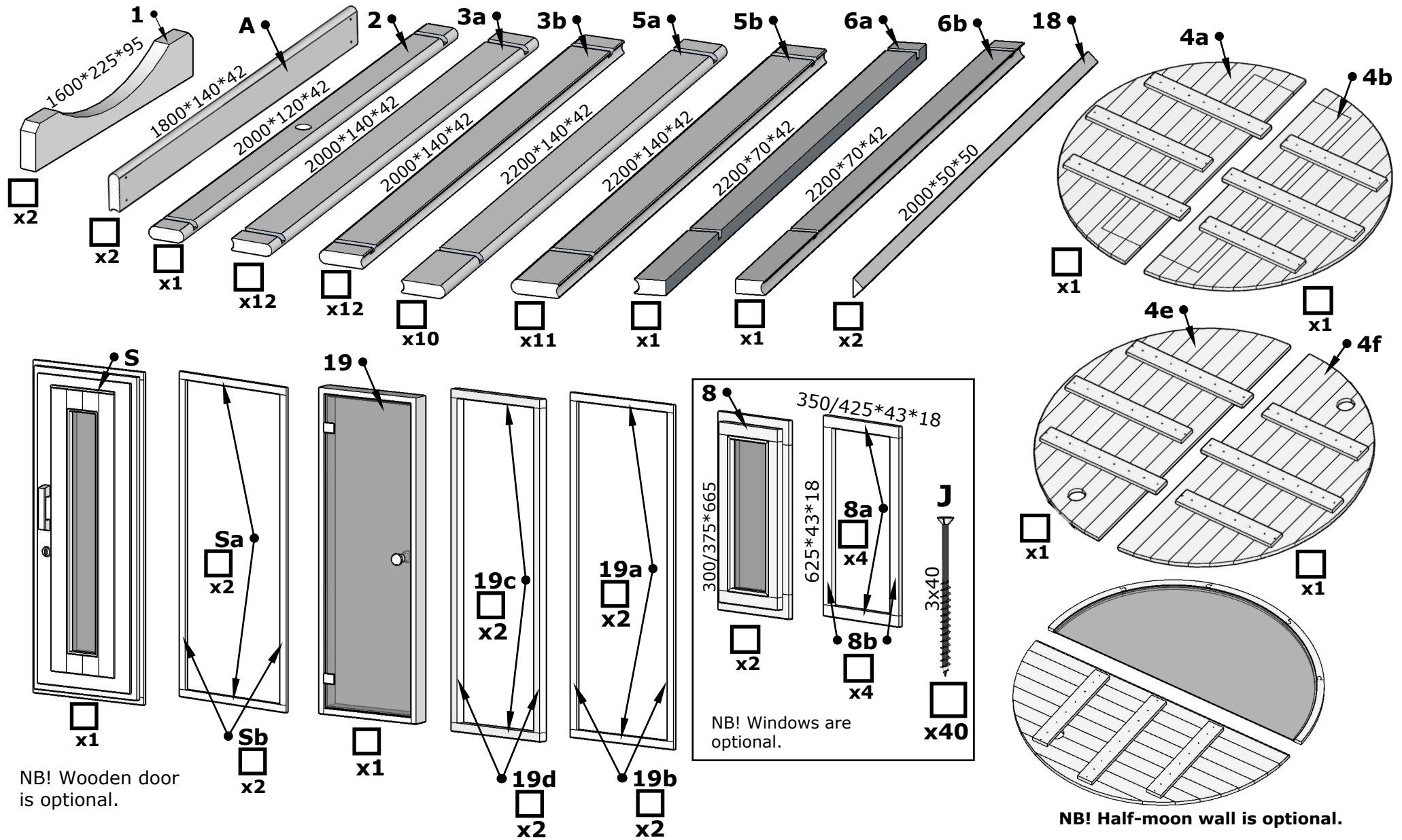
**Please read the whole manual  
before start.**

**All given measurements are in millimeters.**



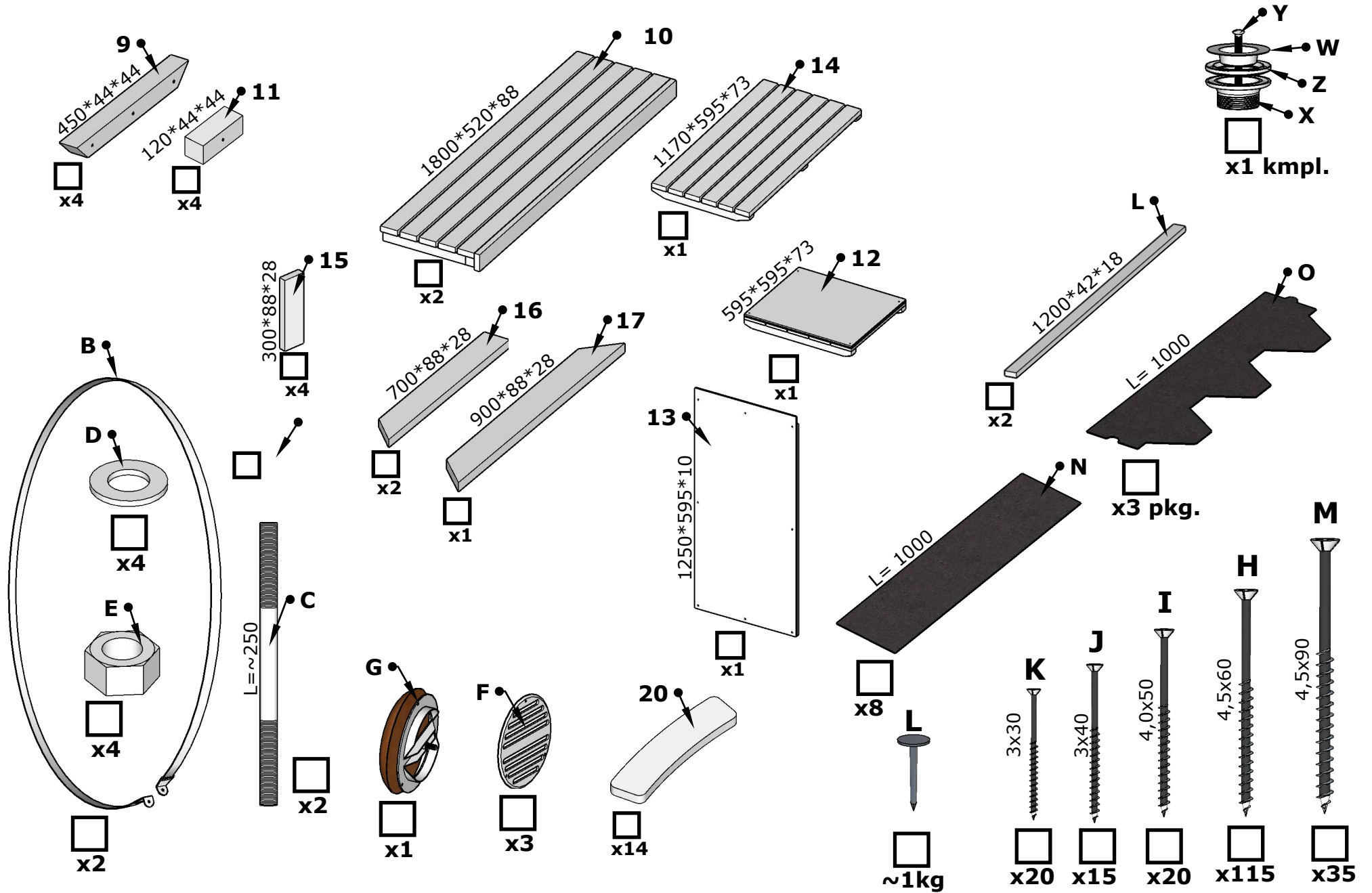
# SAUNA 220, Ø 200

## Details list Nr. 1

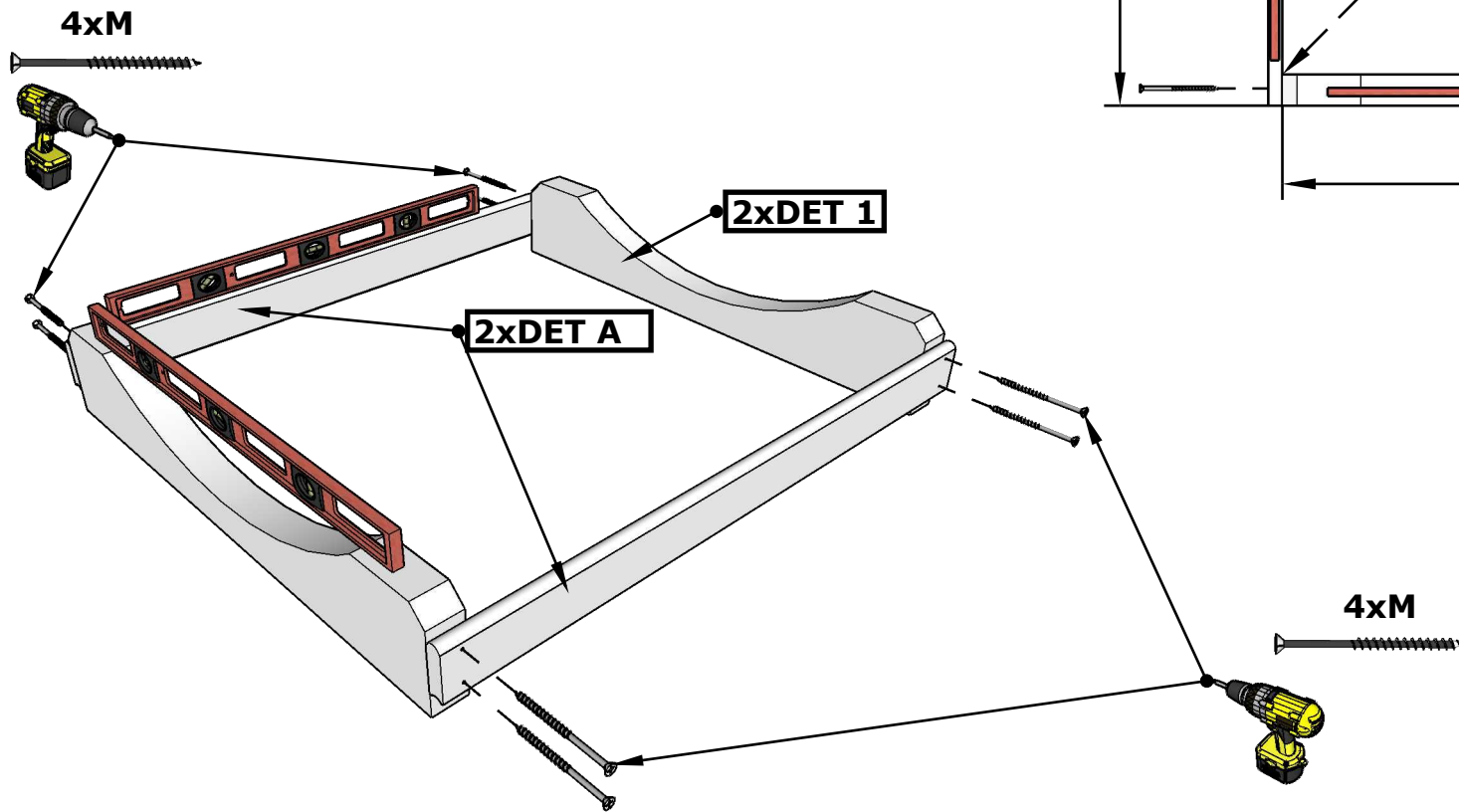
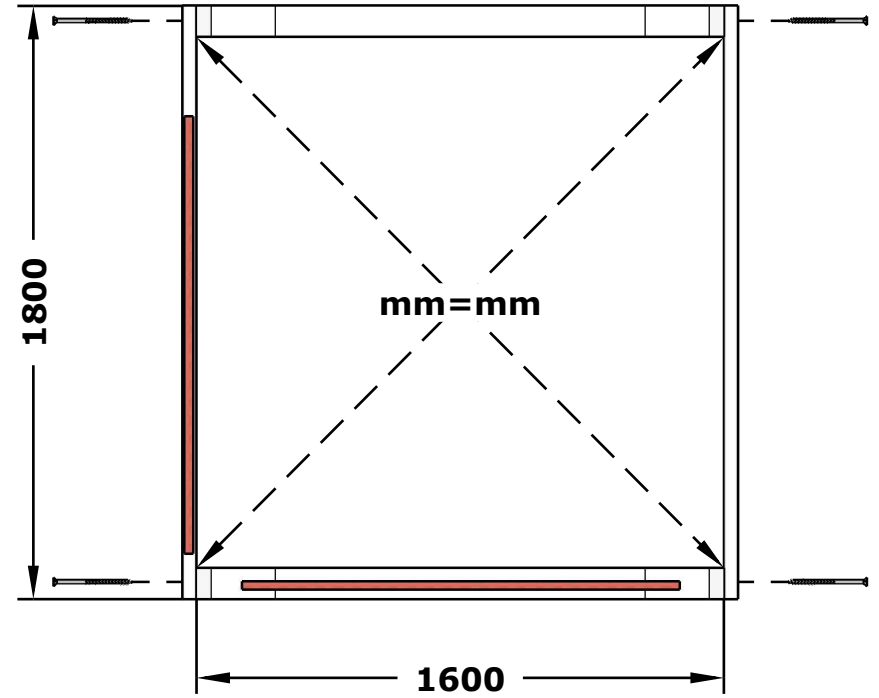
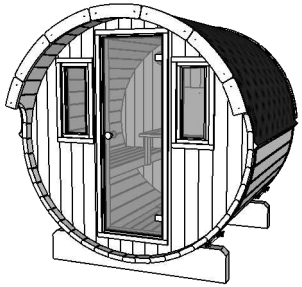


# SAUNA 220, Ø 200

## Details list Nr. 2



SAUNA 220, Ø 200



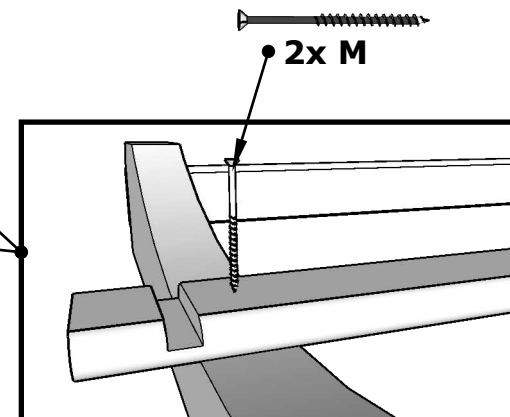
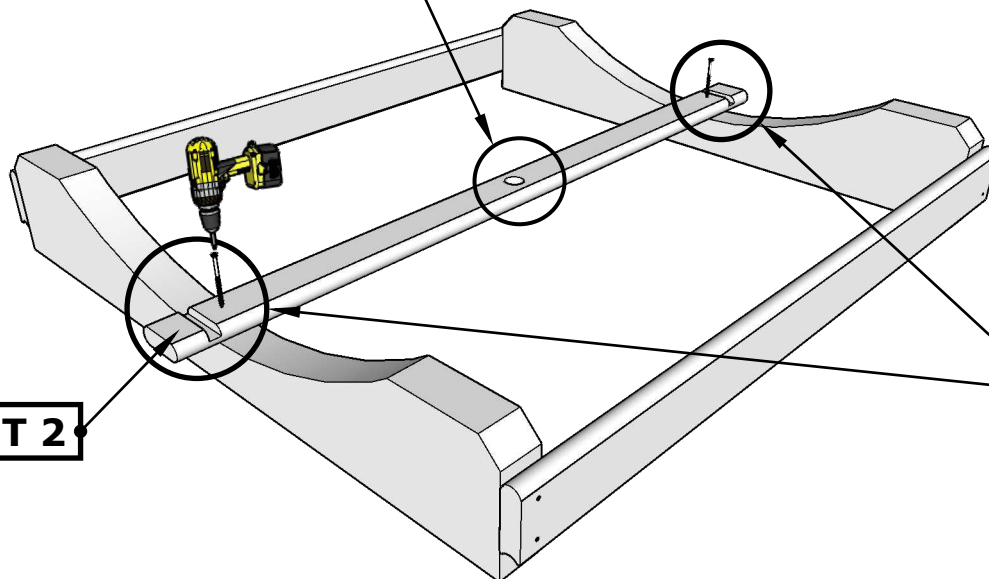
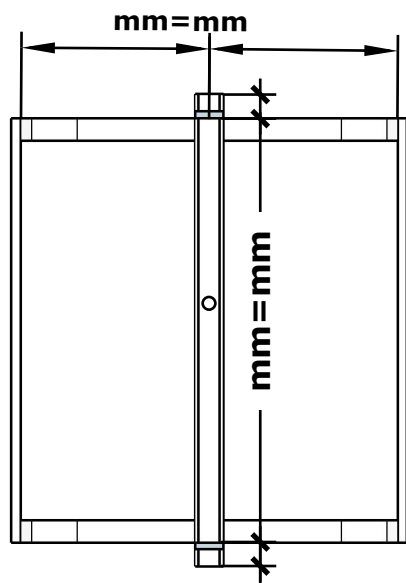
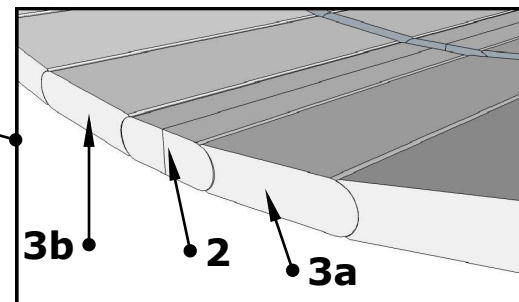
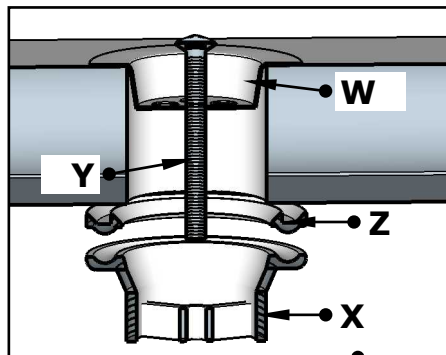
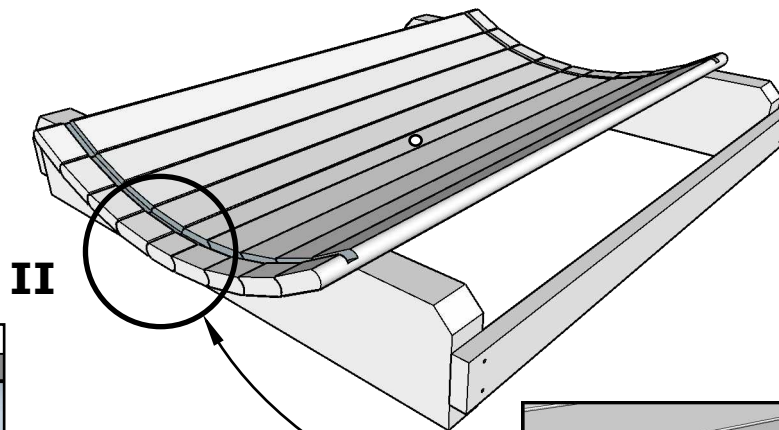
( EM 103 )



SAUNA 220, Ø 200



4 x DET 3a  
4 x DET 3b



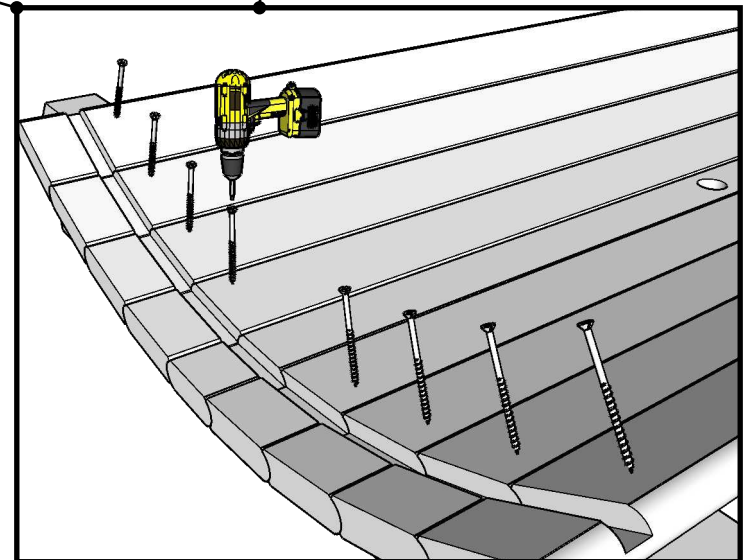
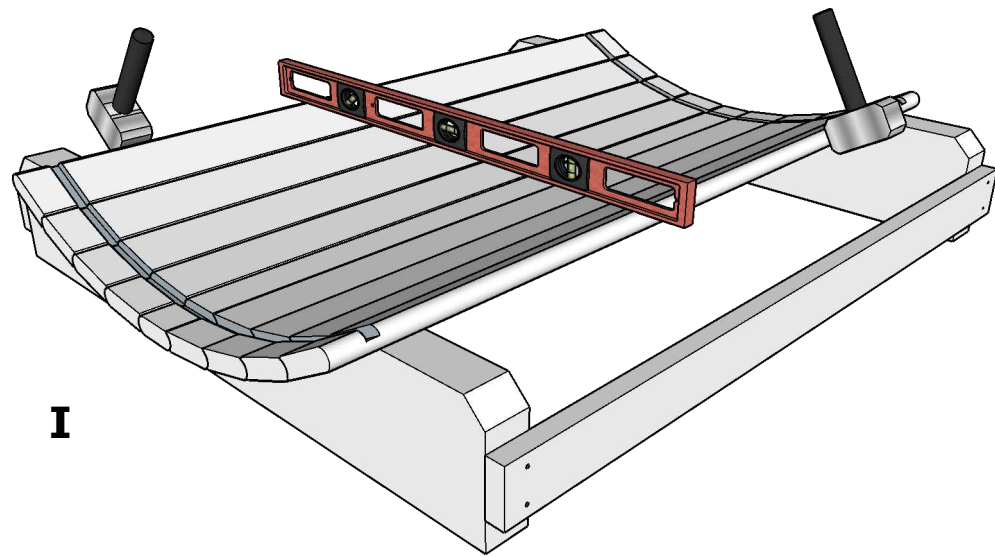
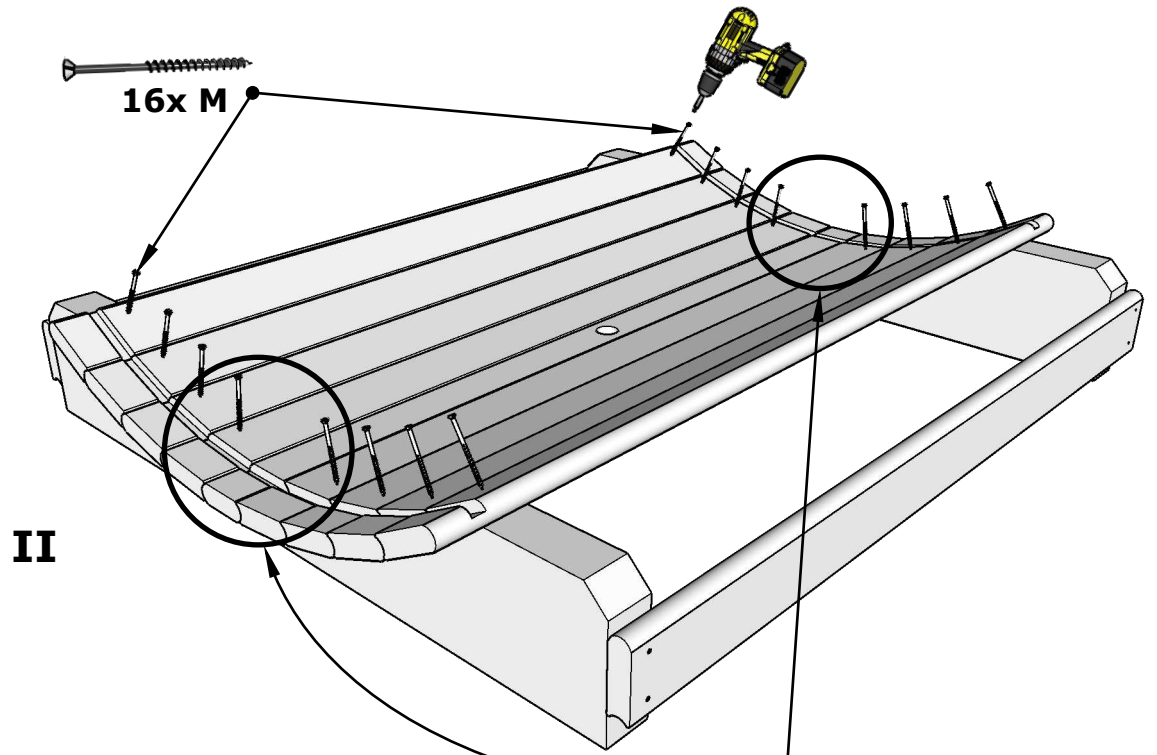
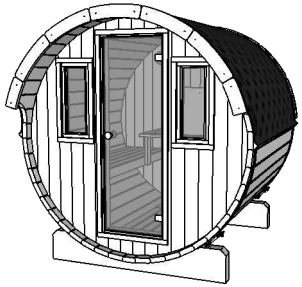
I

1x DET 2

2.

( EM 103 )

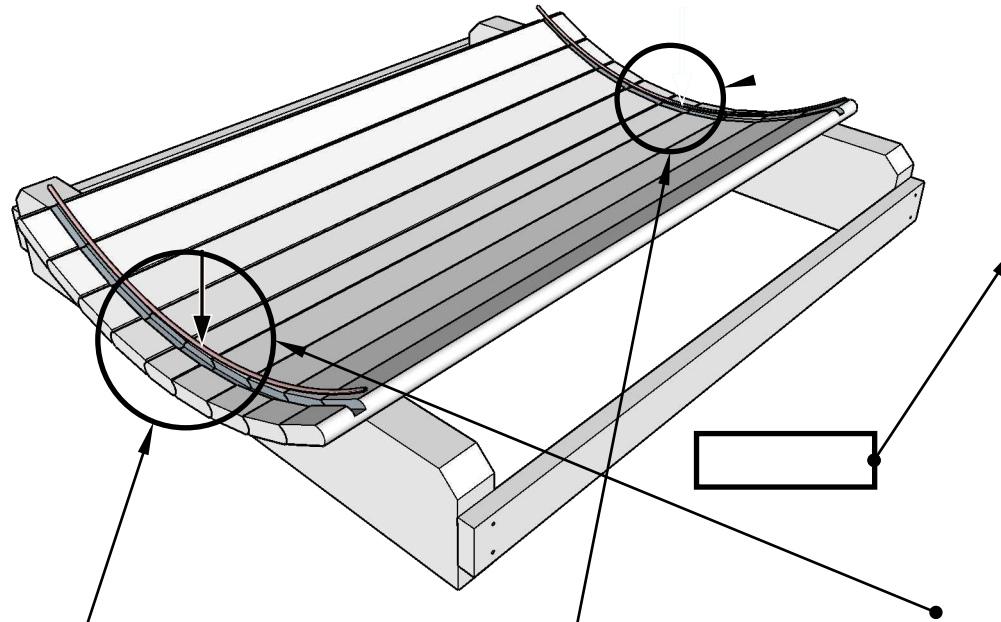
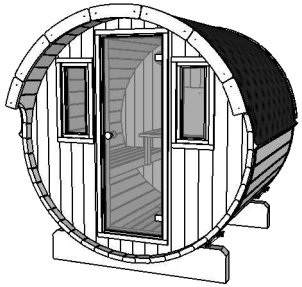
**SAUNA 220, Ø 200**



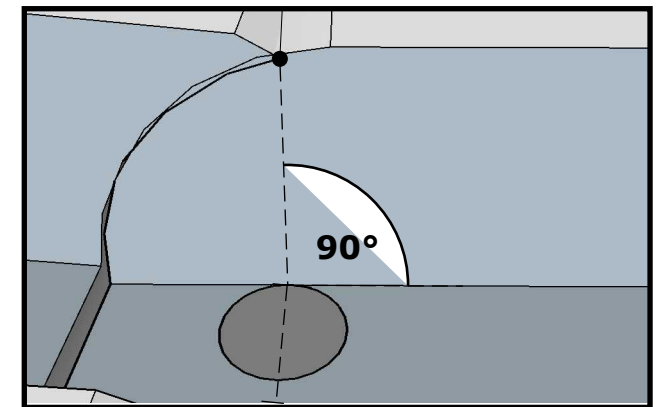
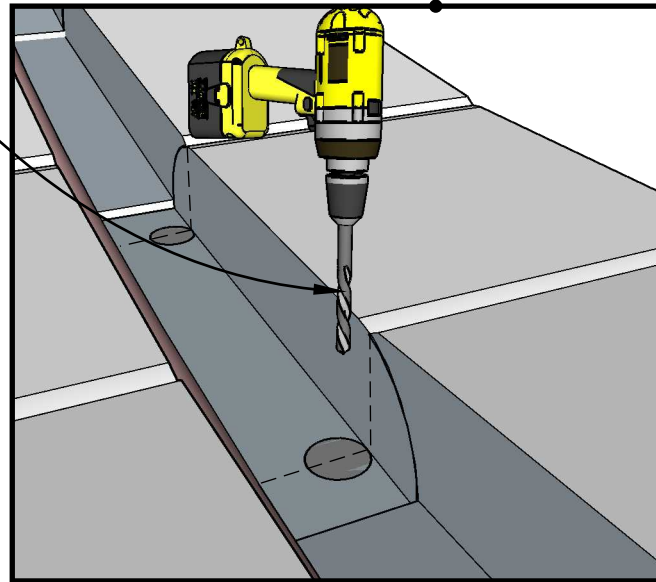
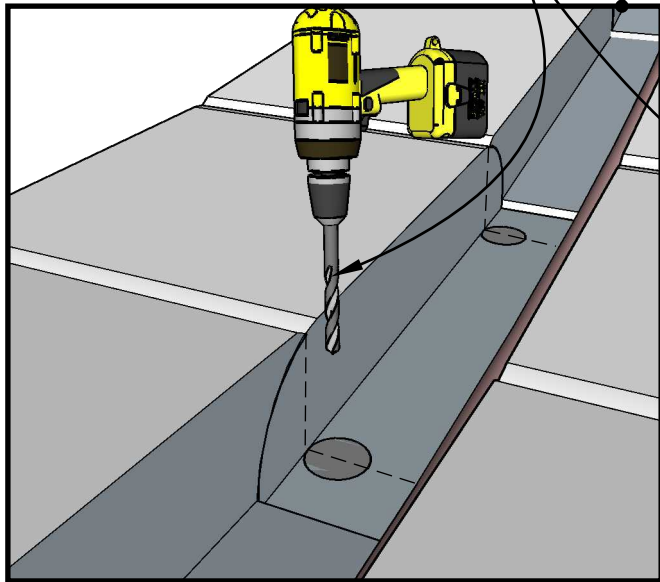
**3.**

( EM 103 )

**SAUNA 220, Ø 200**



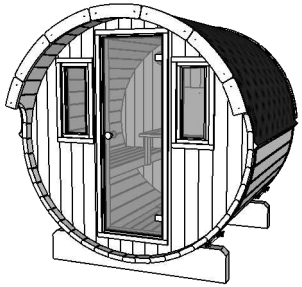
**Drill 4 holes Ø10mm  
into DET 2, outside.**



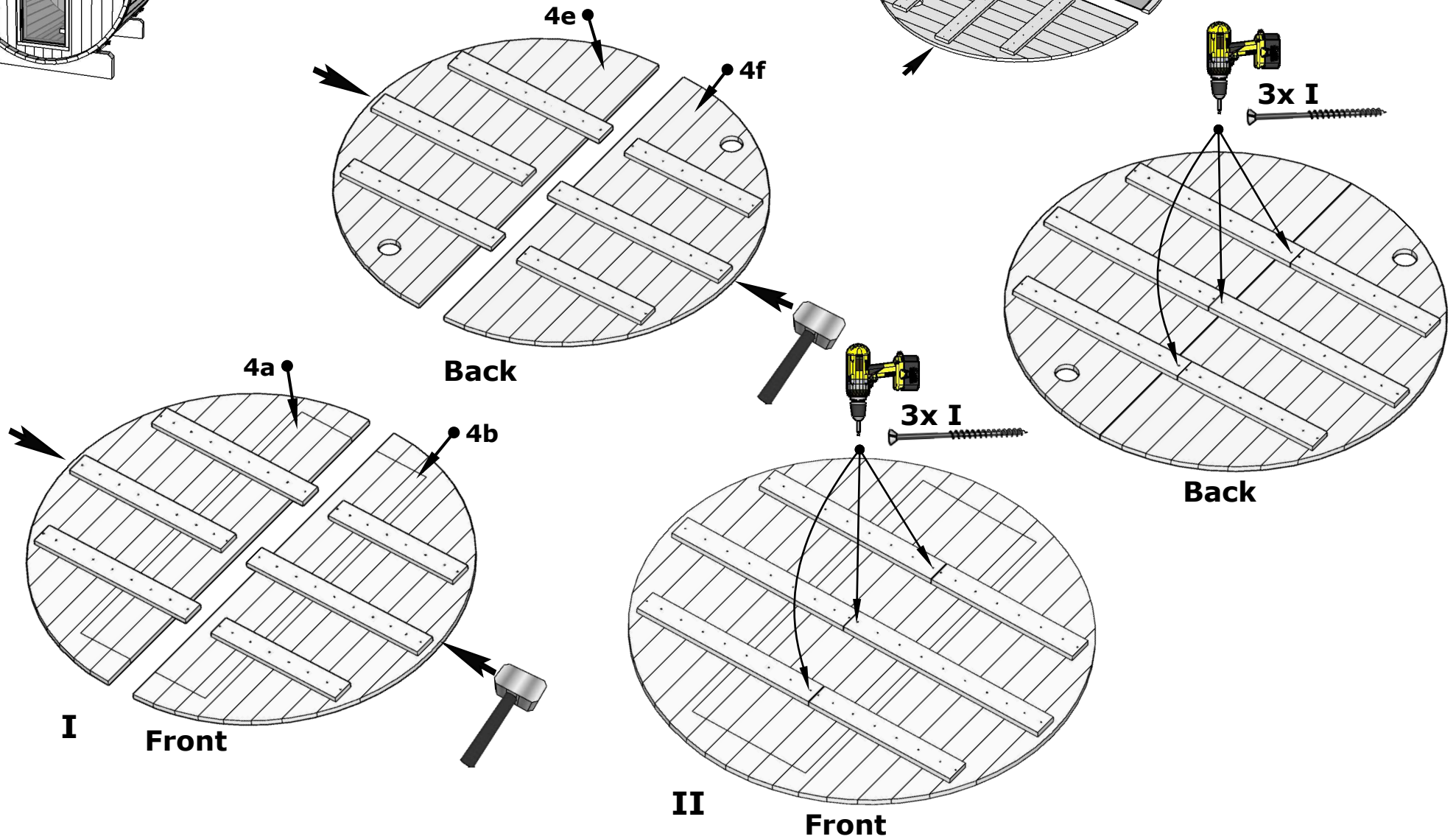
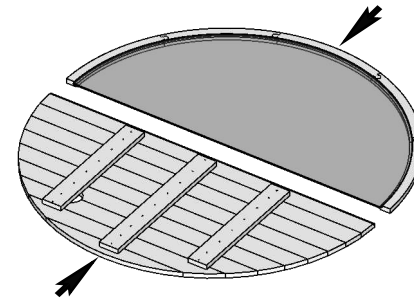
**3A.**

( EM 103 )

**SAUNA 220, Ø 200**



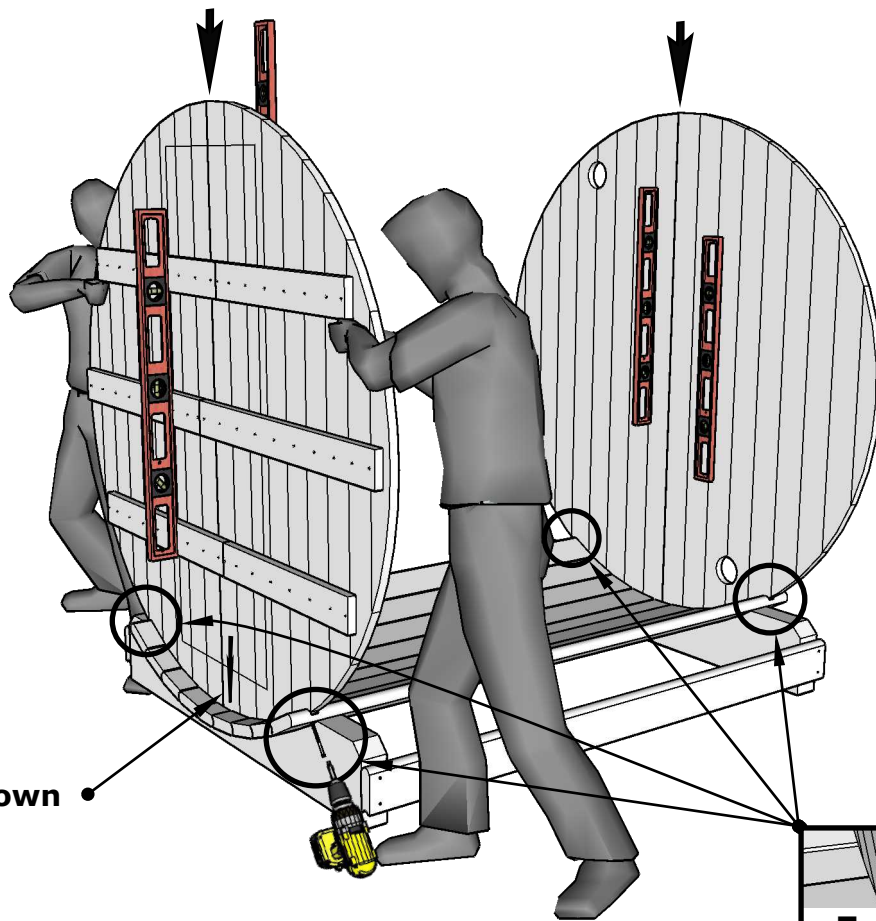
**NB! Half-moon glass wall is optional**  
**Half-moon glass wall installation manual is on extra pages.**



**4.**

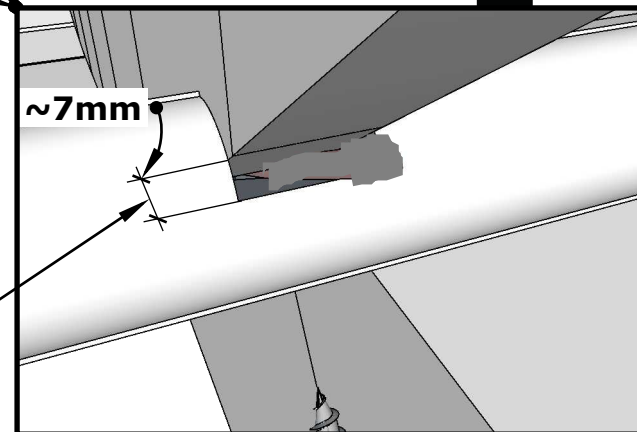
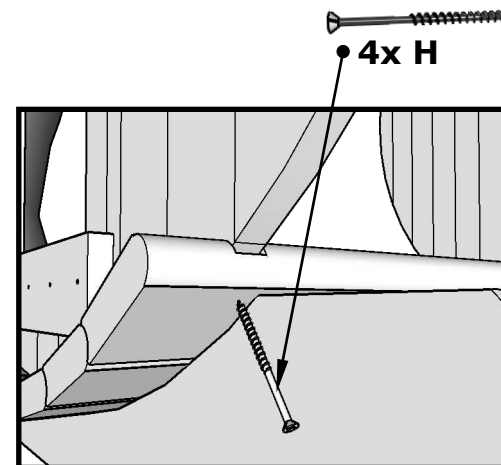


**SAUNA 220, Ø 200**



**Use waterlevel.**

**Arrow down**



**Don't leave so much space, if Your sauna from thermowood.**

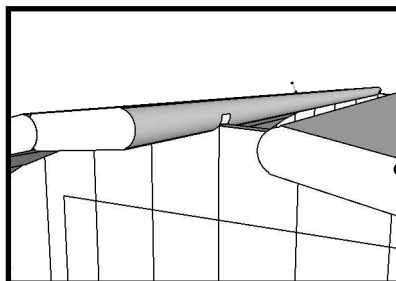
**5.**



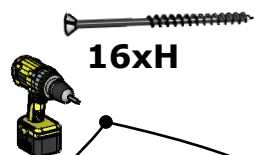
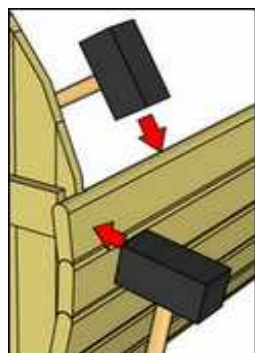
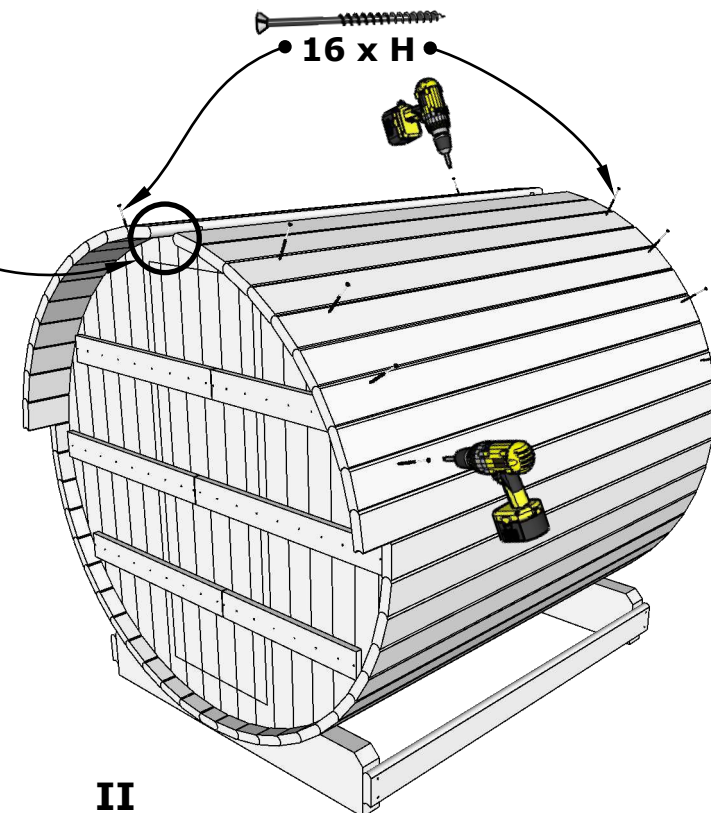
# SAUNA 220, Ø 200



See next page.



11x DET 5b  
10x DET 5a



16xH

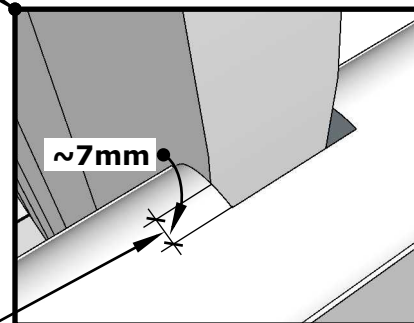
II

8x DET 3a  
8x DET 3b

I



16xH



~7mm

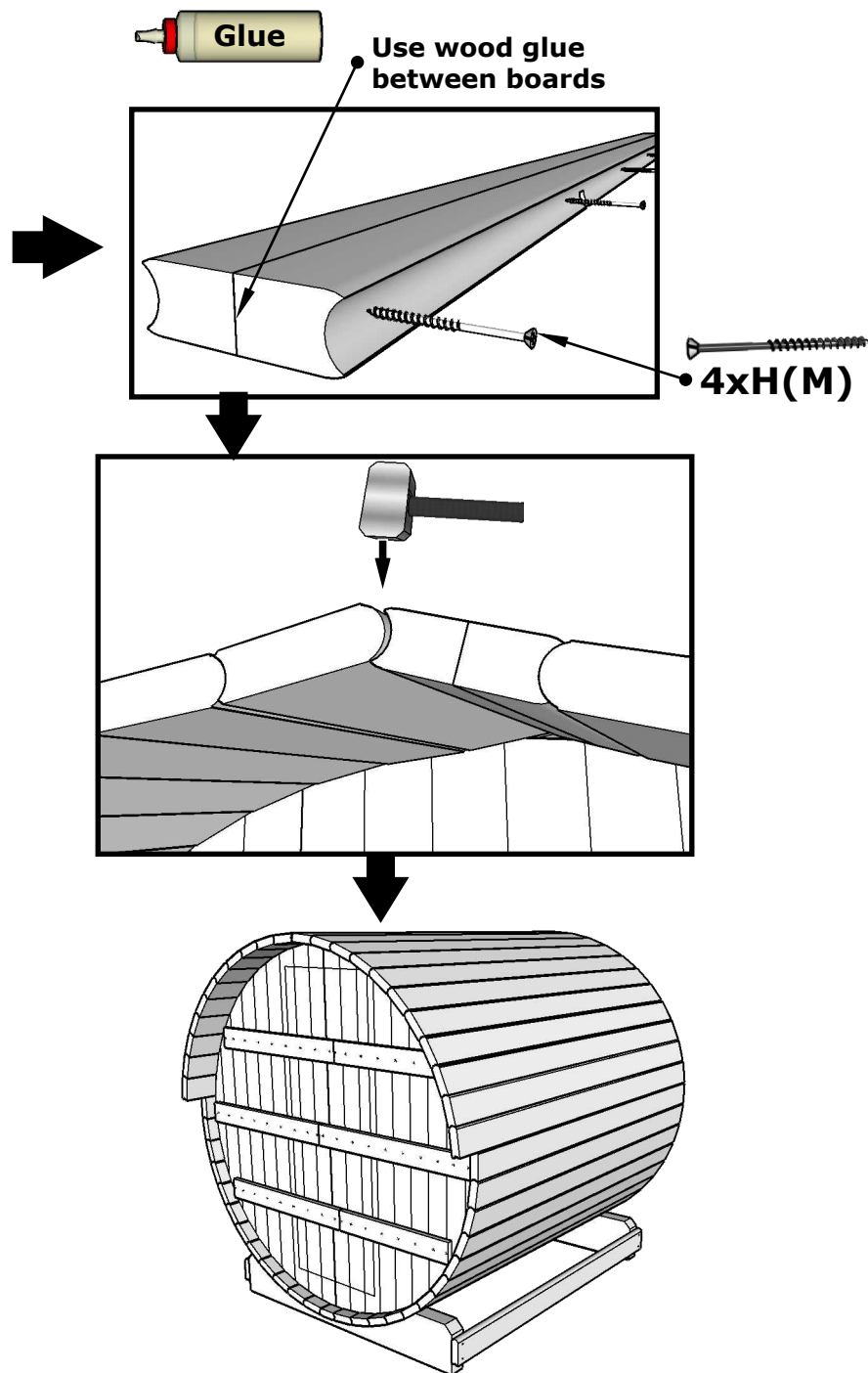
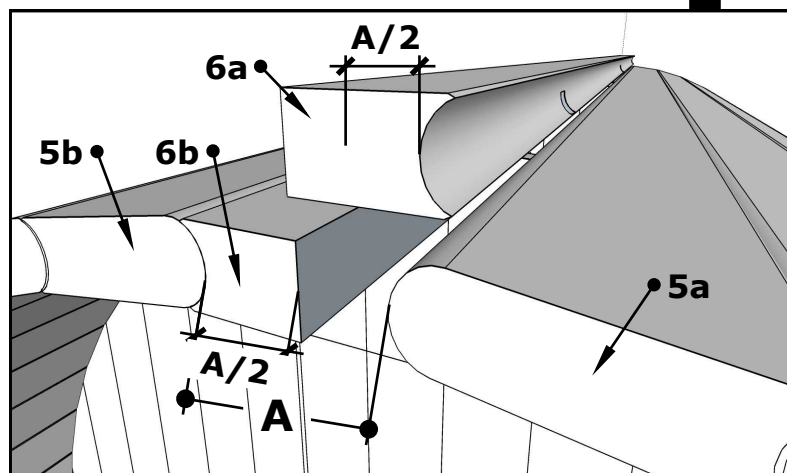
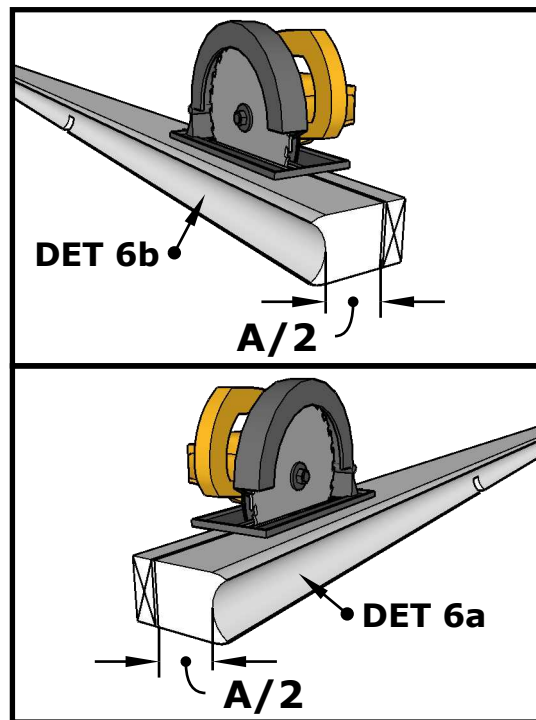
Don't leave so much space, if Your sauna from thermowood.

# 6.

# SAUNA 220, Ø 200

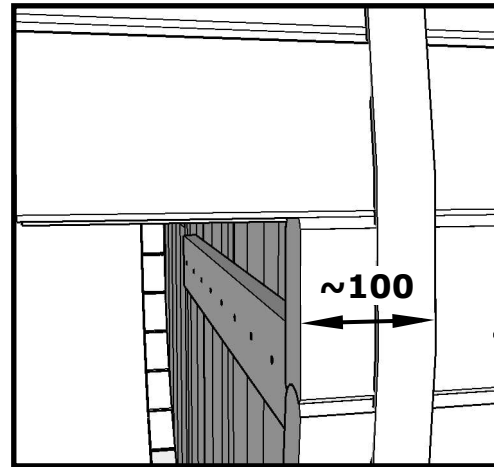
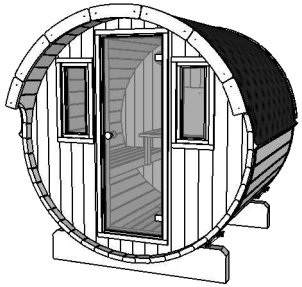


**Important!**



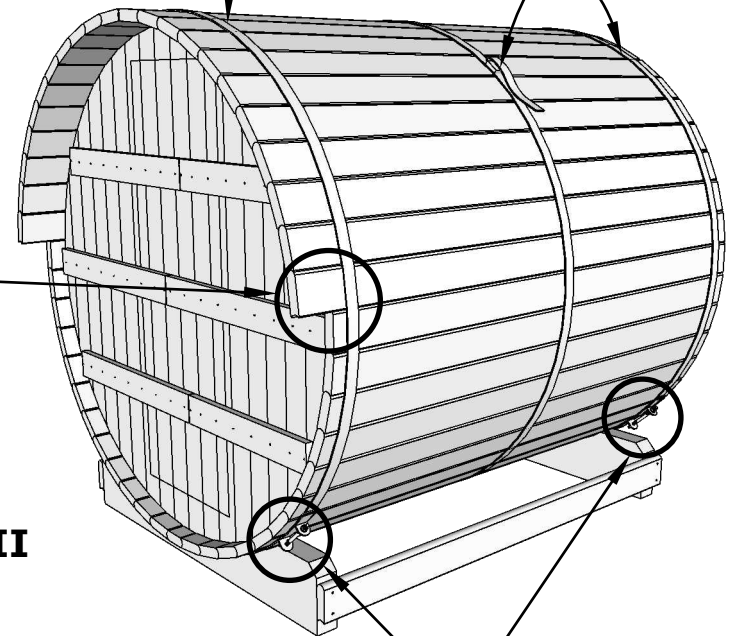
**6A.**

# SAUNA 220, Ø 200



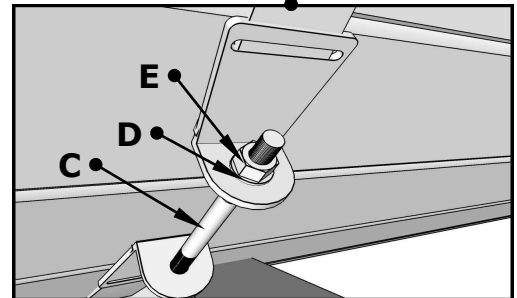
2x DET B

Remove

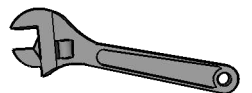


II

Remove screws and use them on further sauna installation.

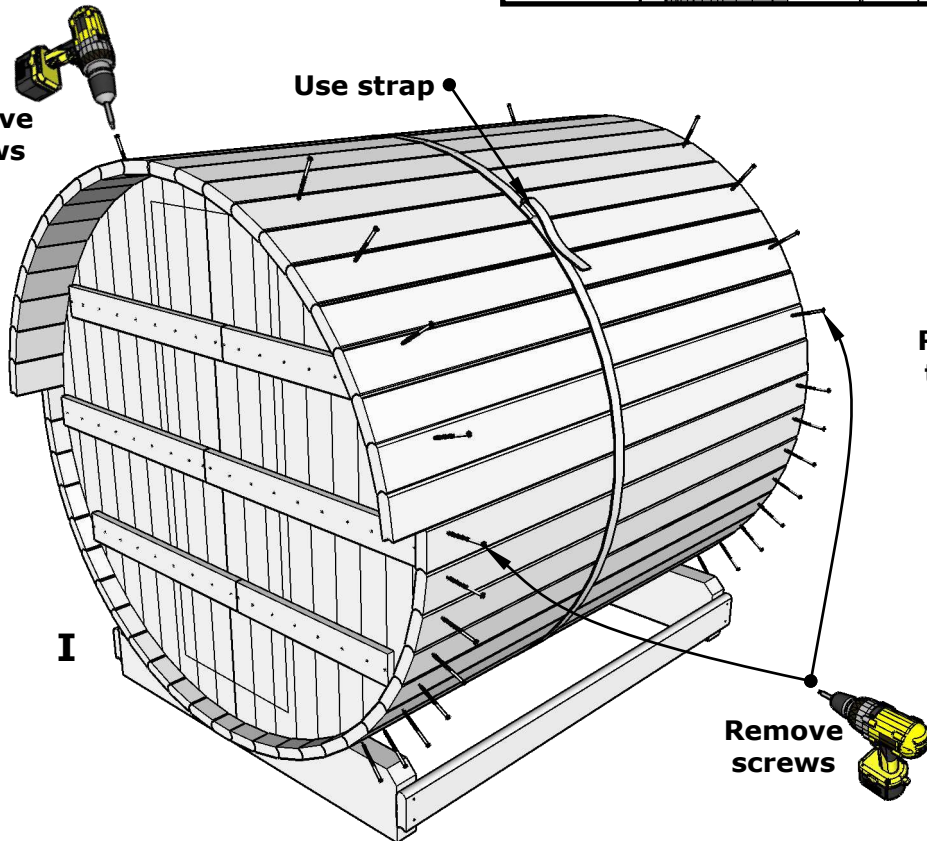


During assembly and retightening the threaded rods, use oil (Würth HPS 1400 or similar) to avoid "cold welding" and it is also easier tightening.



Remove screws

Use strap

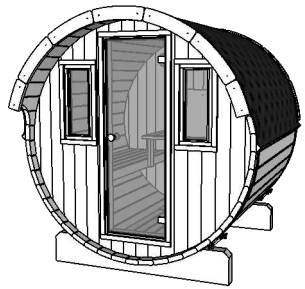


I

Remove screws

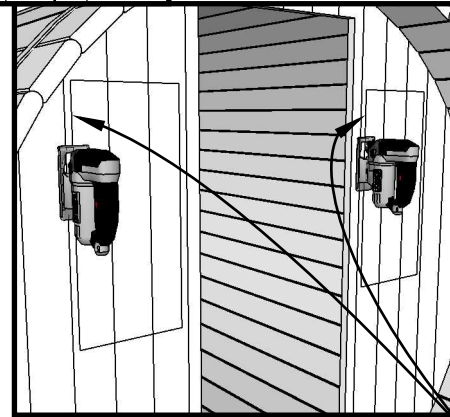
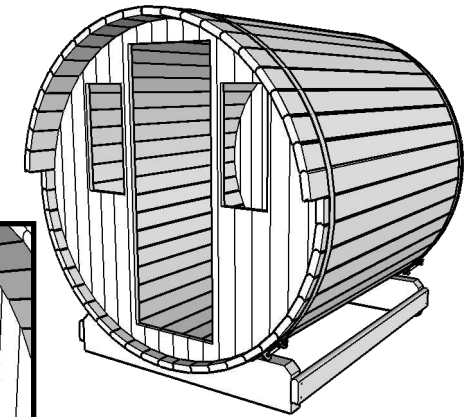
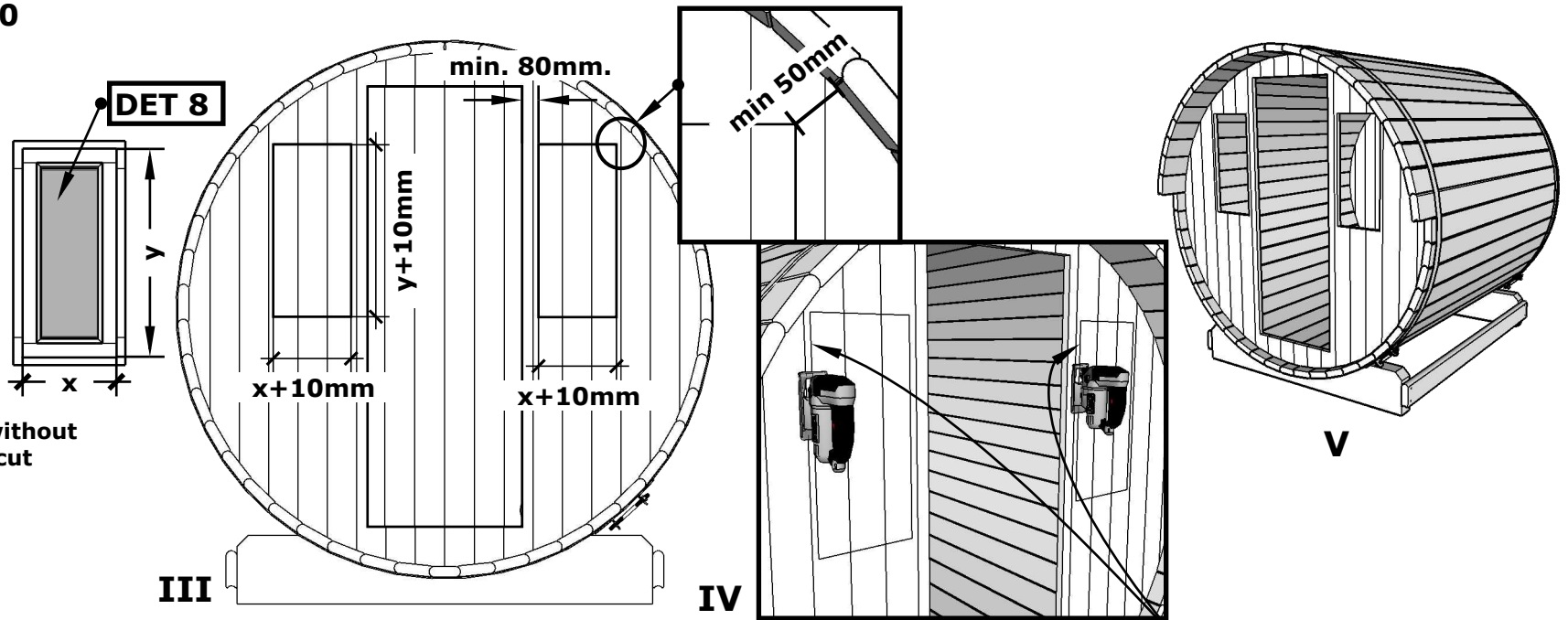


**SAUNA 220, Ø 200**

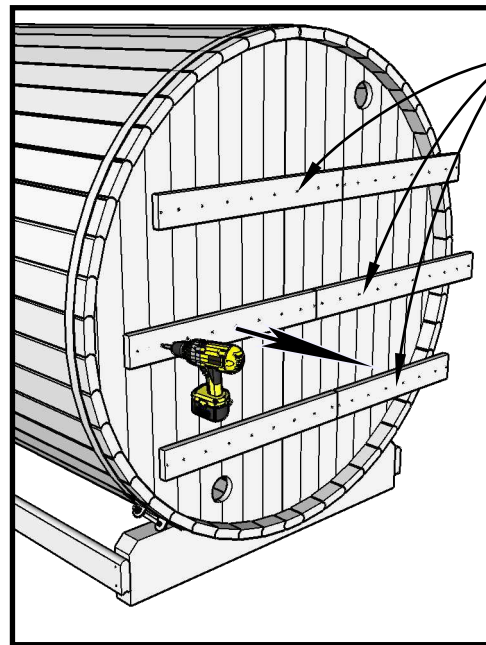
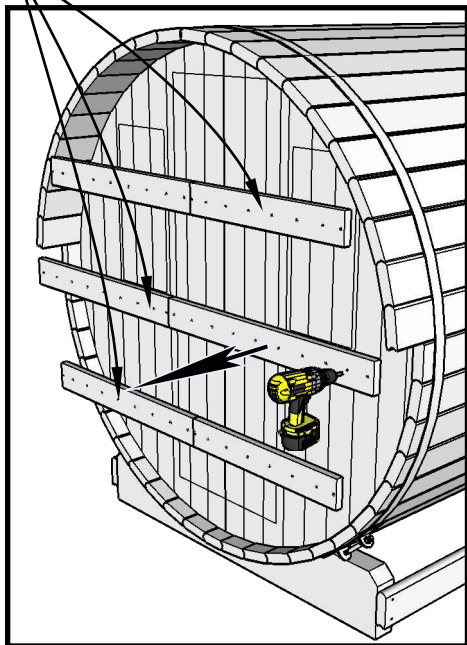


**NB! Windows are optional.**

**If Your sauna model is without windows, please do not cut windows openings.**

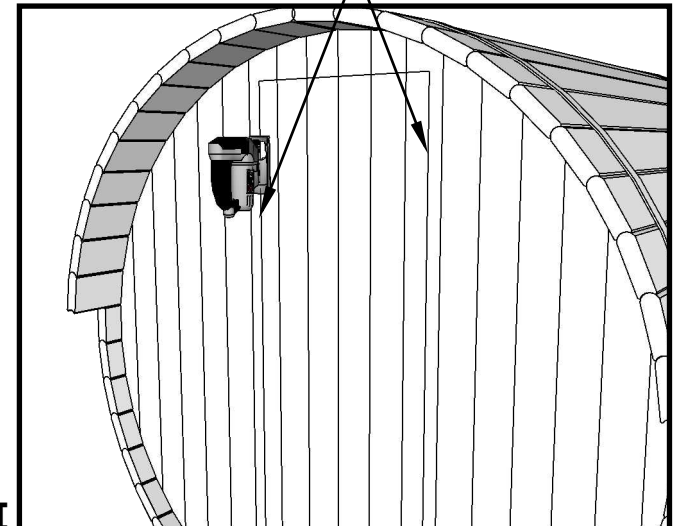


**Remove all brackets**



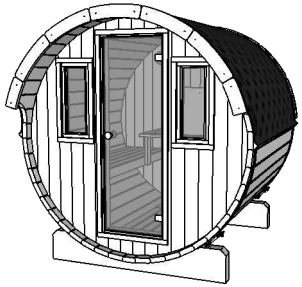
**Remove all brackets**

**Cut out, follow the guidelines**



**8.**

# SAUNA 220, Ø 200



**NB! Windows are optional.**

If Your sauna model is without windows, please skip this page.

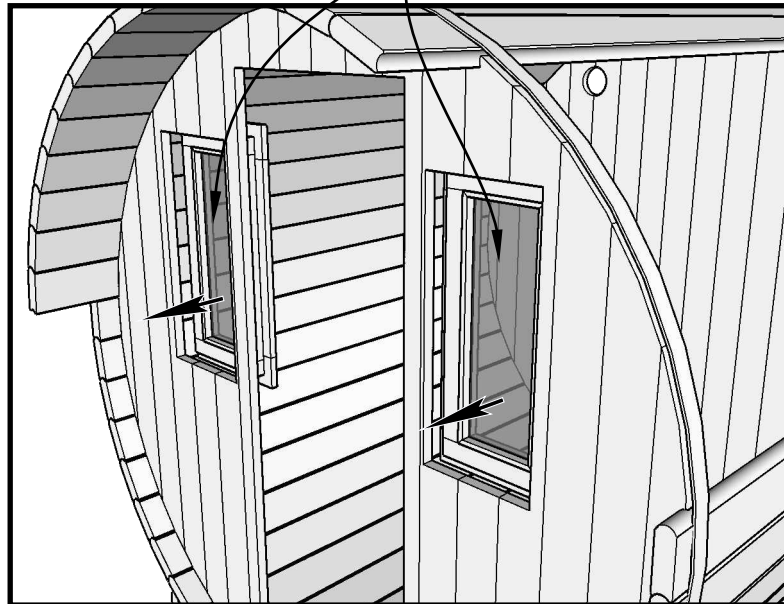


Use waterlevel for windows installation

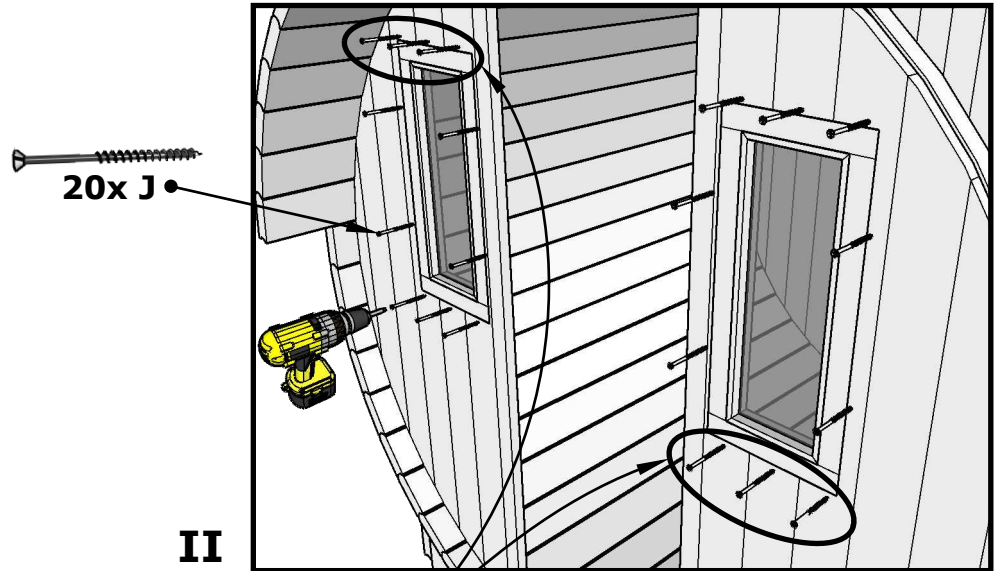


**III**

Place windows from inside.



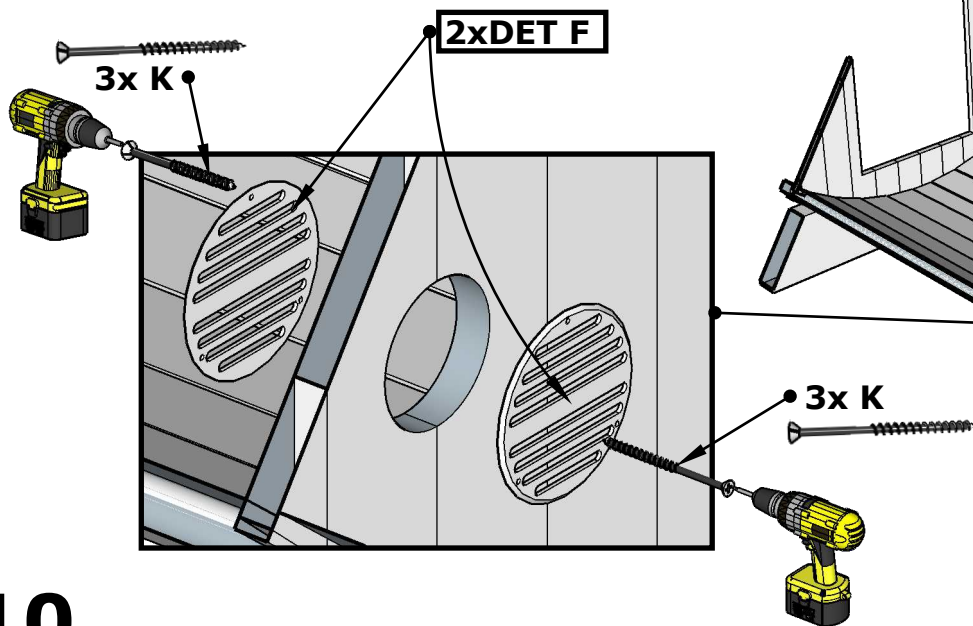
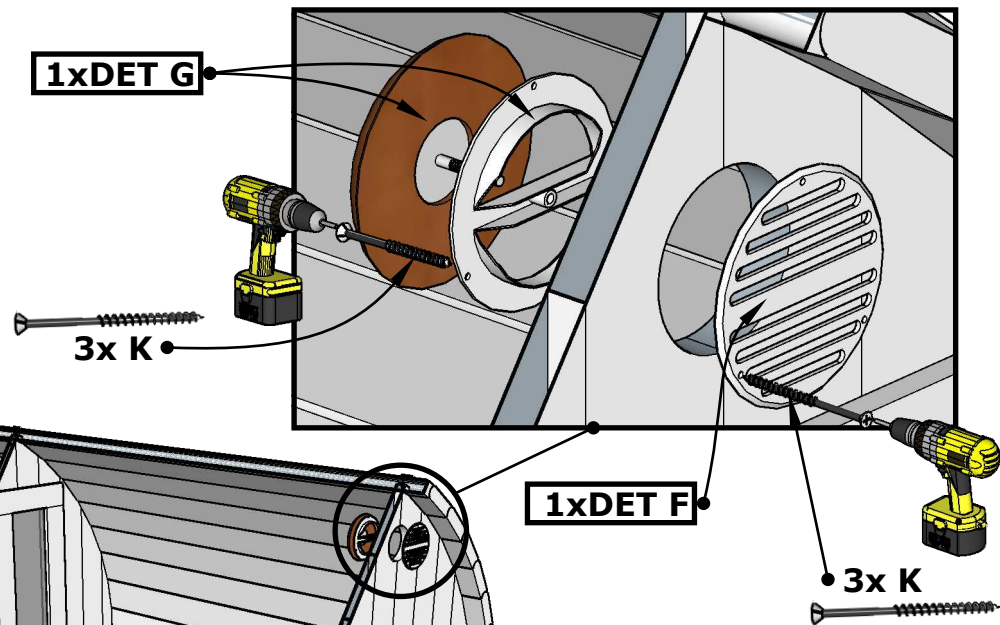
**I**



Horizontally fix screws in every board.



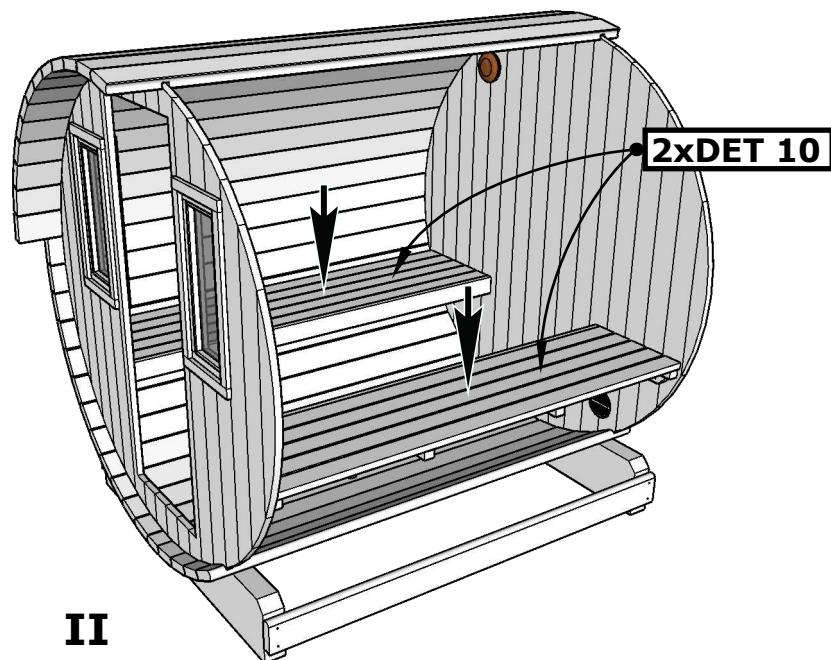
SAUNA 220, Ø 200



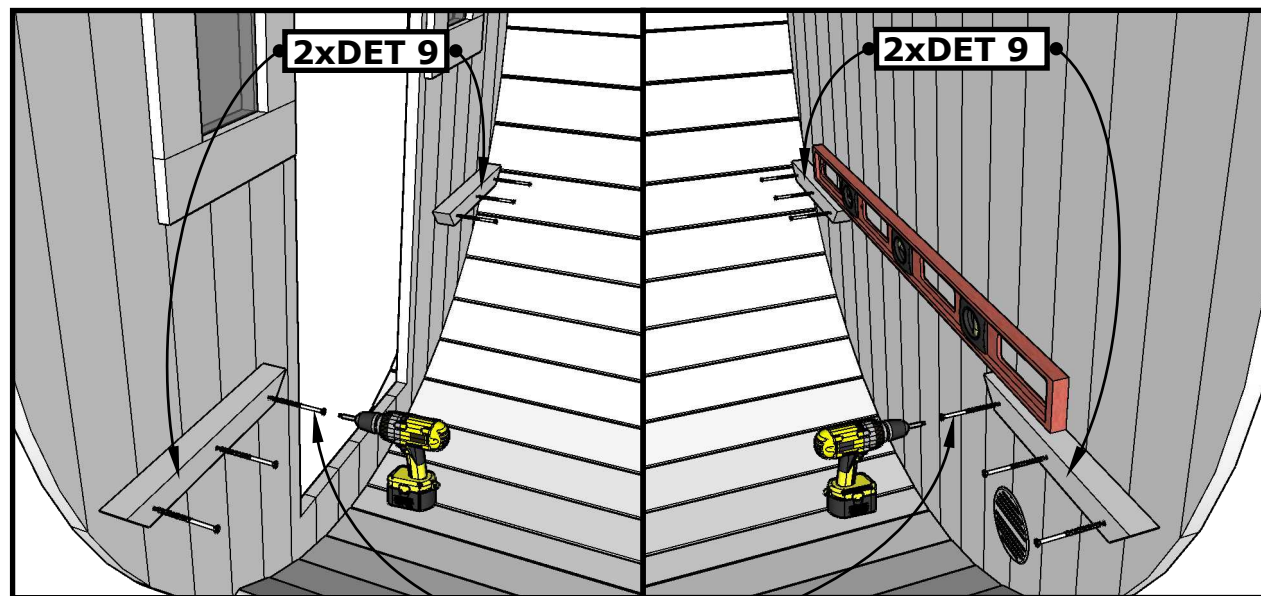
10.

( EM 103 )

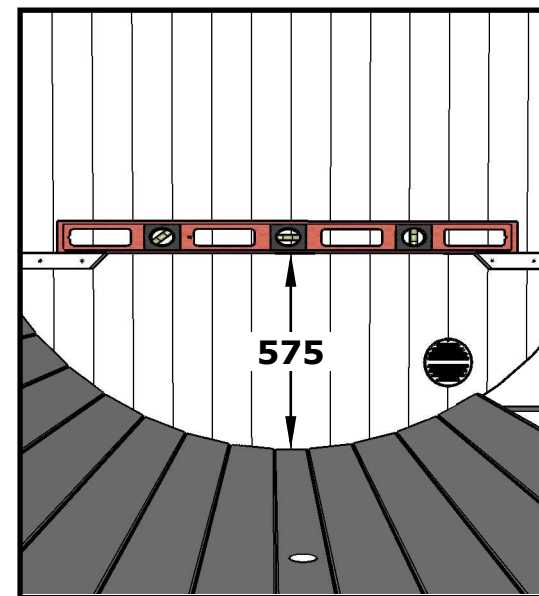
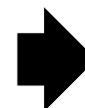
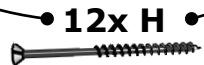
SAUNA 220, Ø 200



II



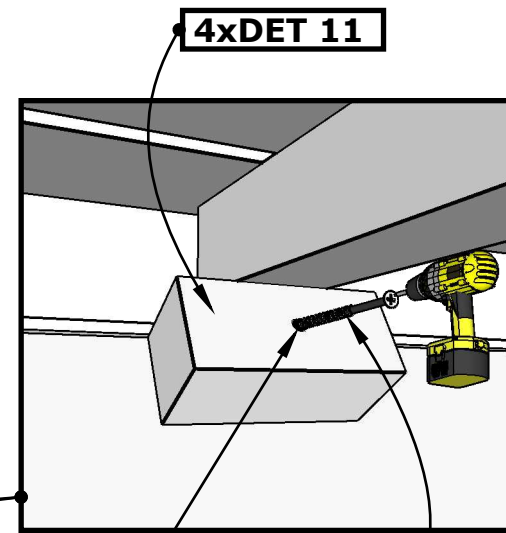
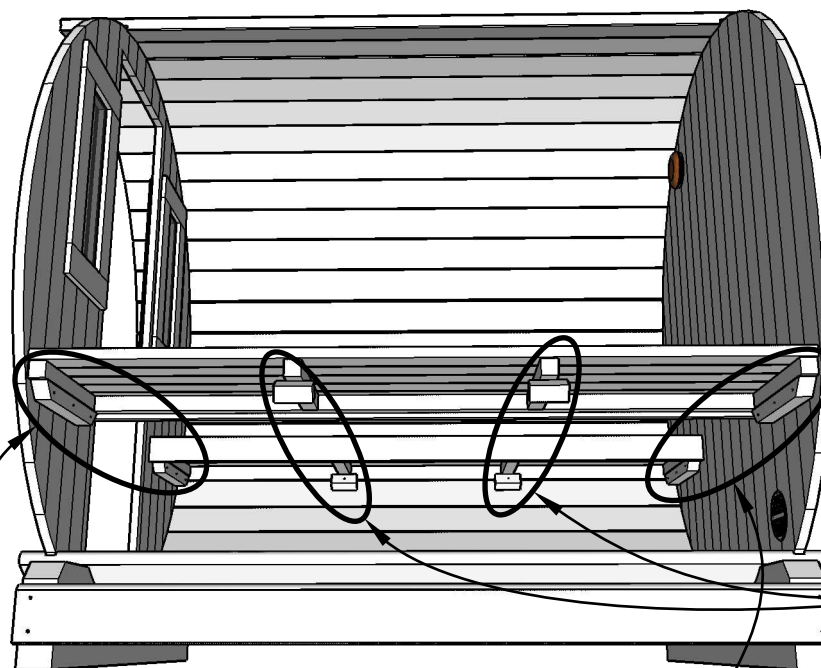
I



11.

( EM 103 )

SAUNA 220, Ø 200

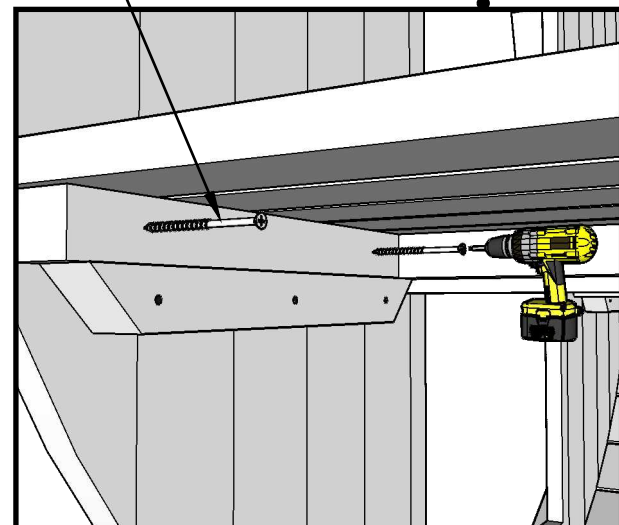


4xDET 11

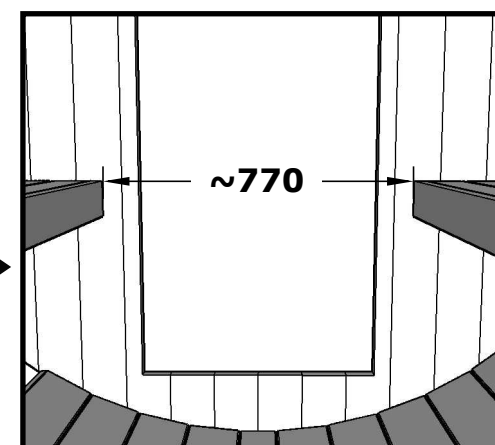
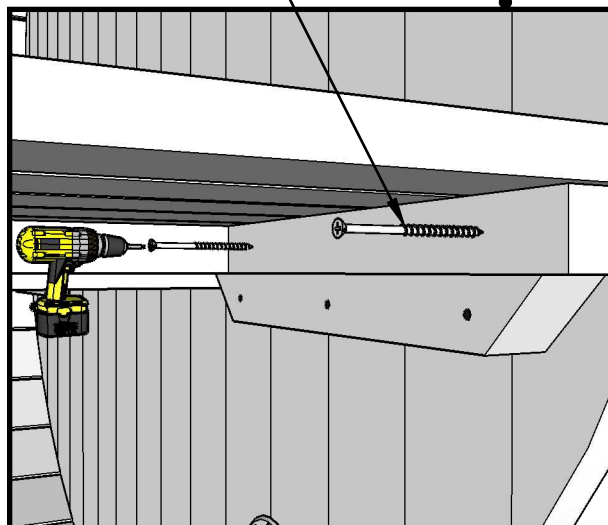
4x H

Drill holes Ø4mm before screws

4x H



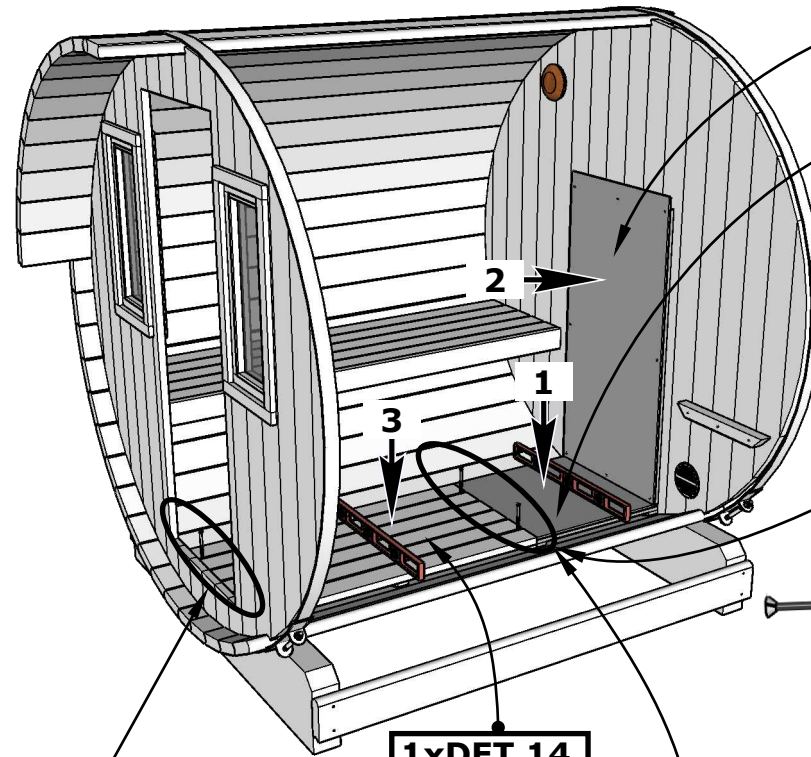
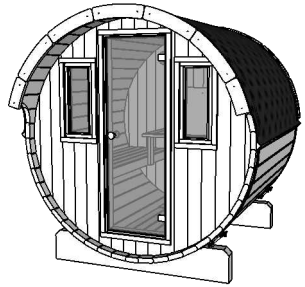
4x H



12.

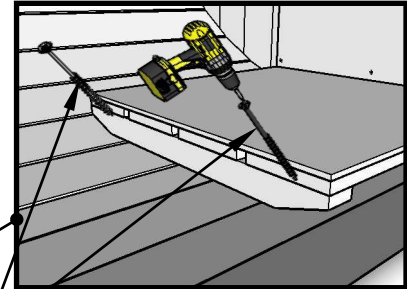
( EM 103 )

**SAUNA 220, Ø 200**



**1xDET 13  
(Minerit LW)**

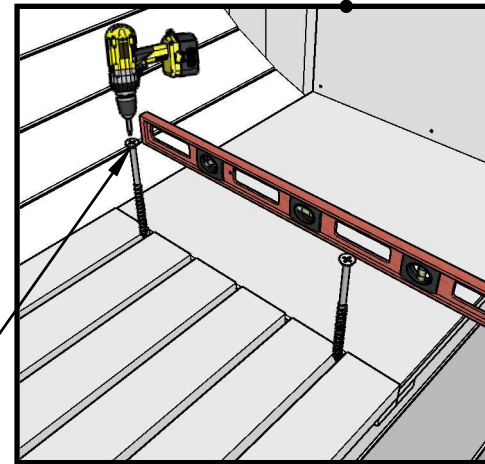
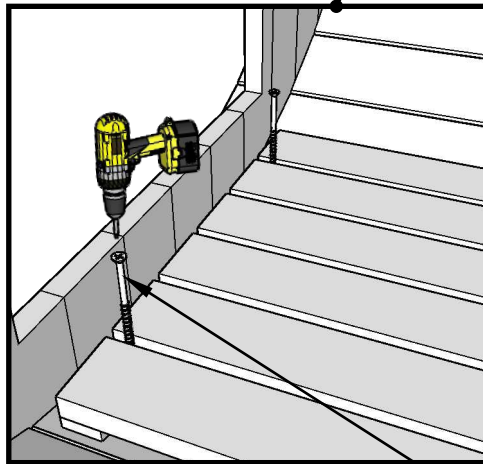
**1x DET 12  
(Minerit LW)**



**2x H**



**1xDET 14**



**9x I(K)**



**2x DET L**

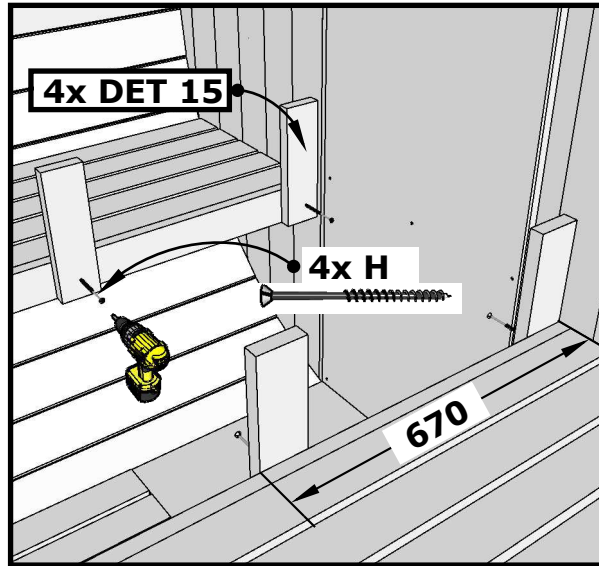
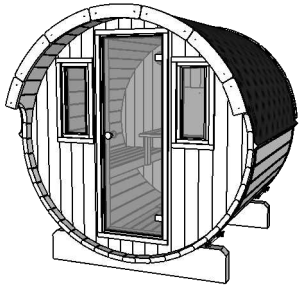
**NB! If Your Sauna equipped with electrical heater, then fix DET 13 directly to the wall without DET L. Then use screws K.**

**4x H**

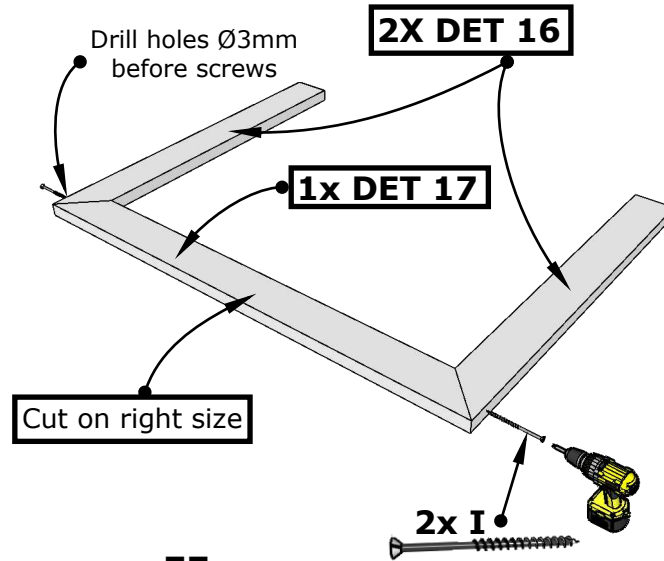




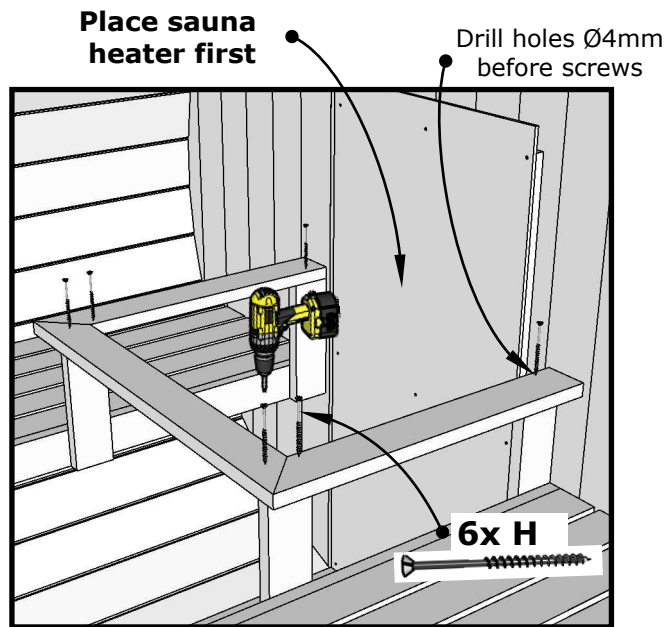
**SAUNA 220, Ø 200**



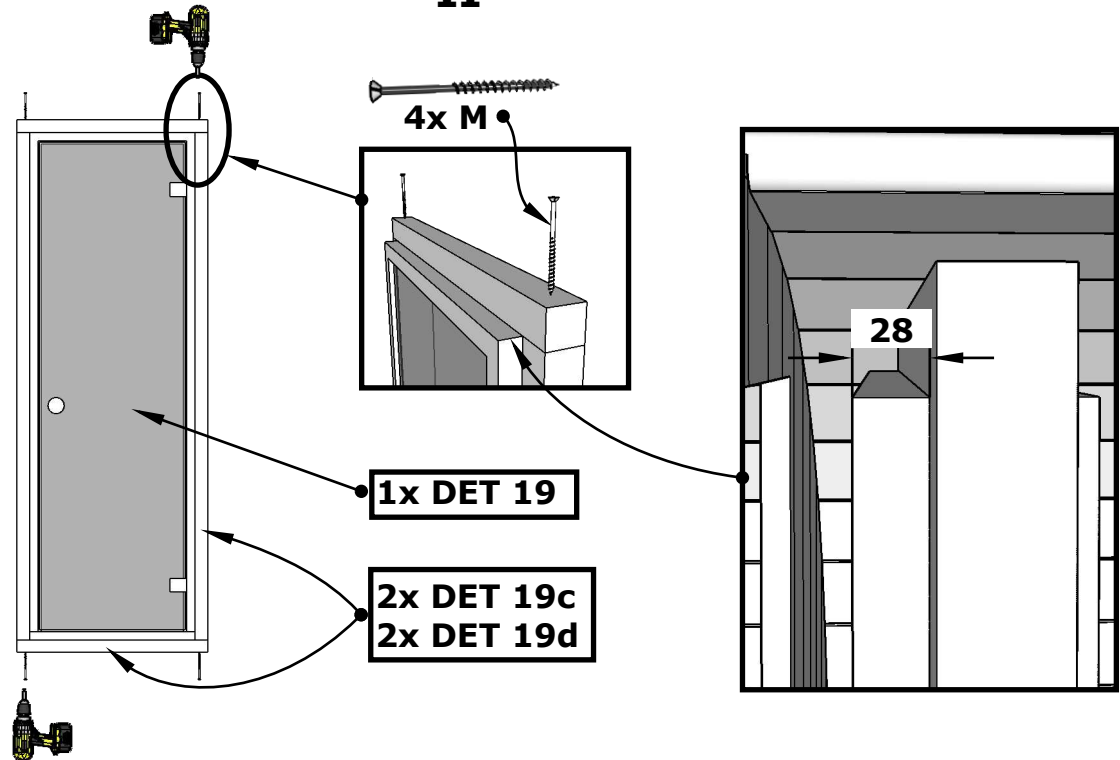
**I**



**II**



**III**

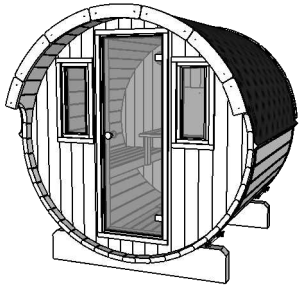


**IV**

**14.**



# SAUNA 220, Ø 200



If Your sauna equipped with wooden door, please check wooden door installation manual on extra pages.



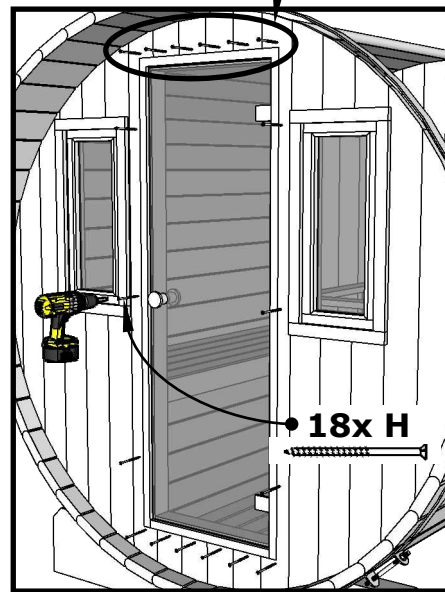
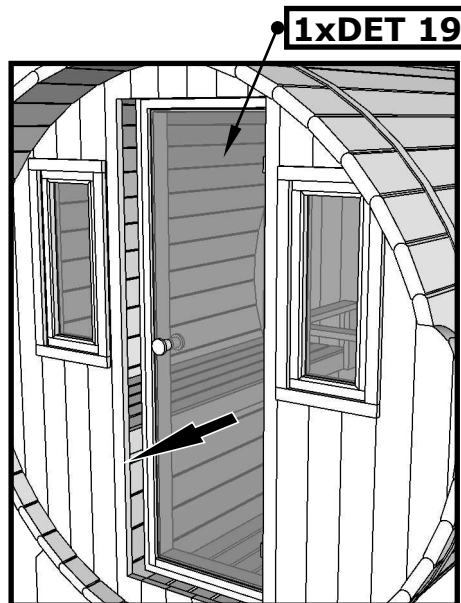
Use waterlevel for door installation

Place door from inside

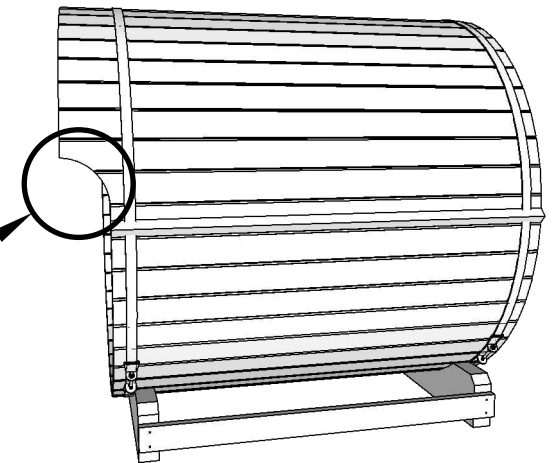
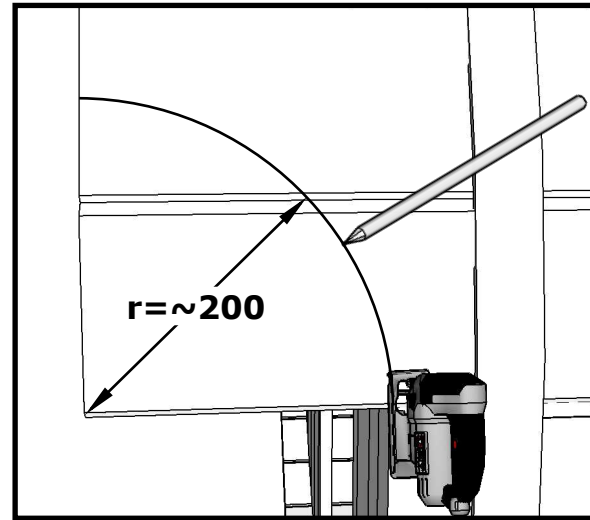
Horizontally fix screws in every board

2xDET 19a  
2xDET 19b

Push door against the wall and fix it from inside



IV



15. I

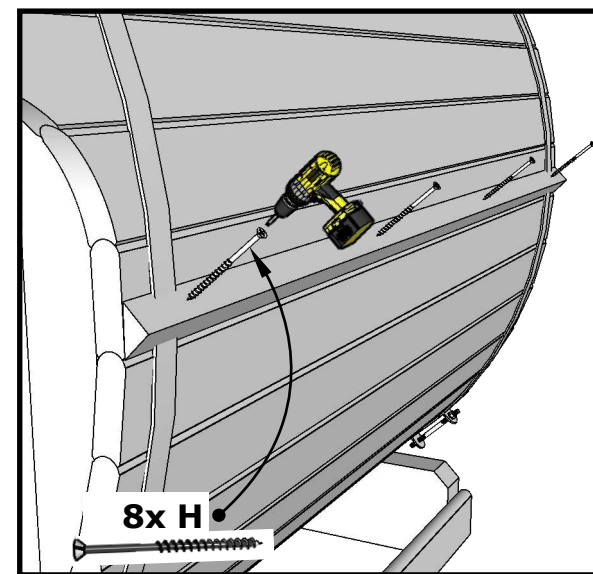
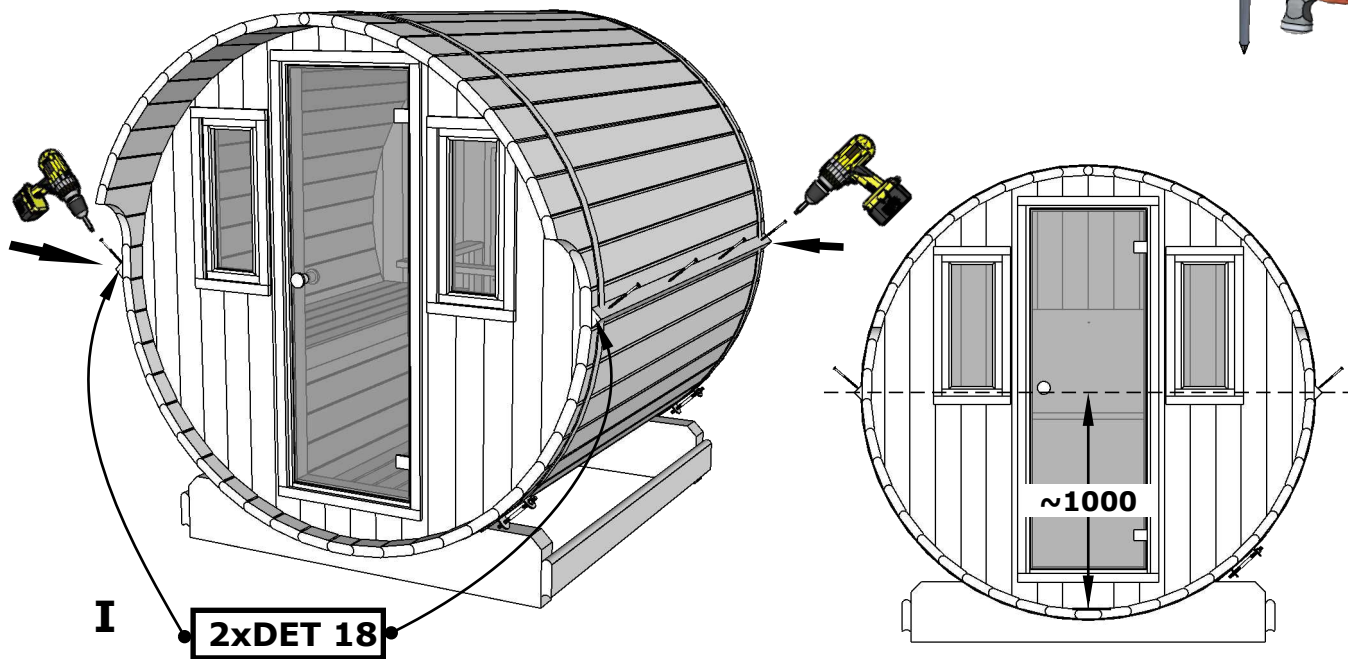
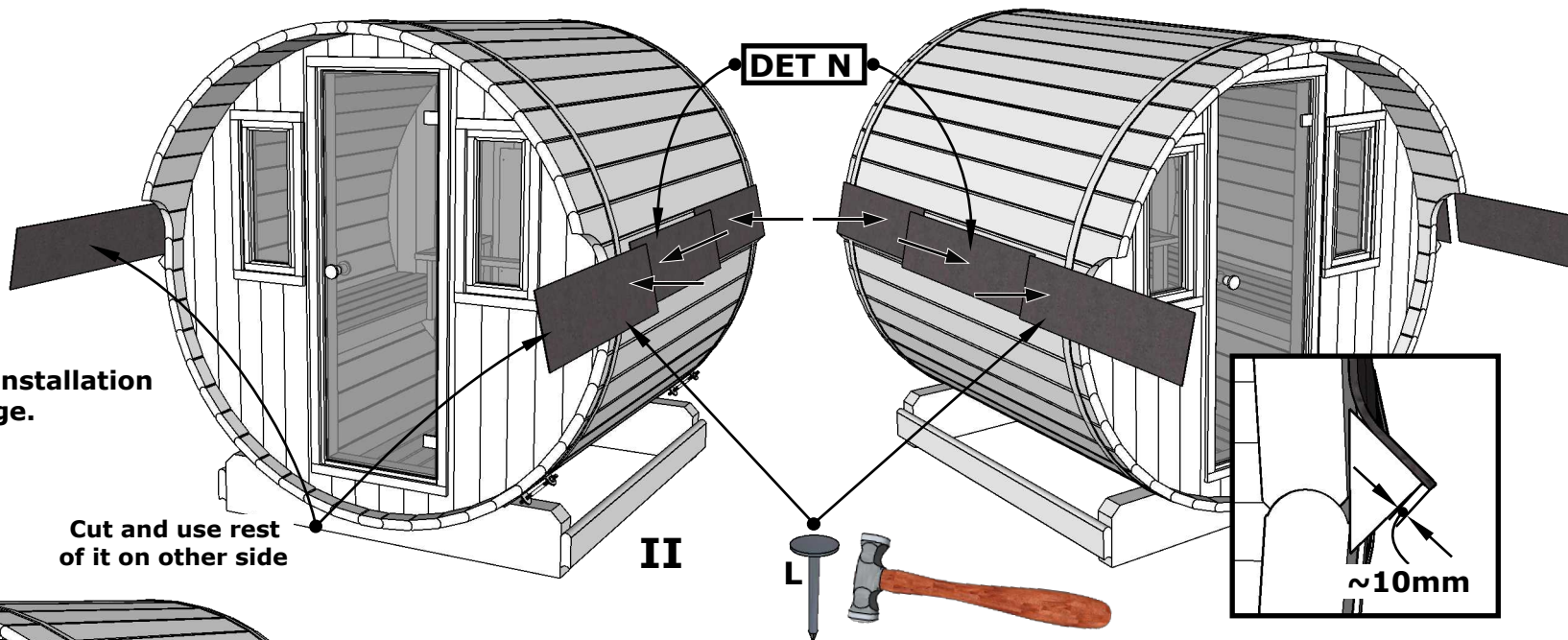
II

III

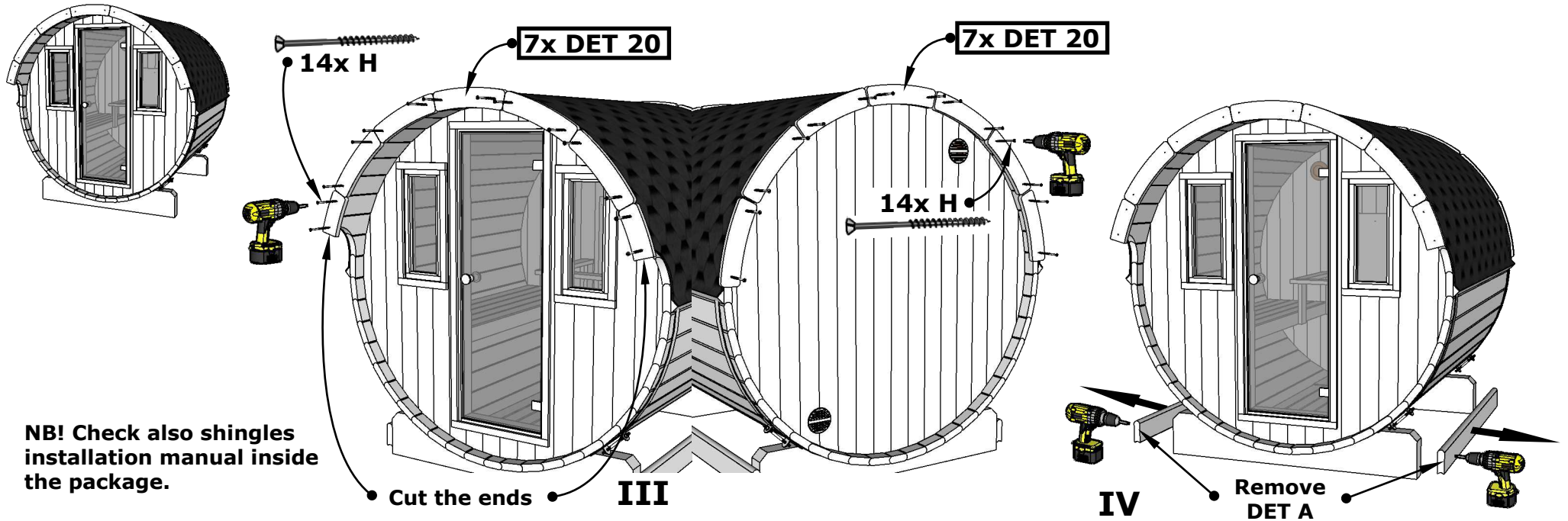
# SAUNA 220, Ø 200



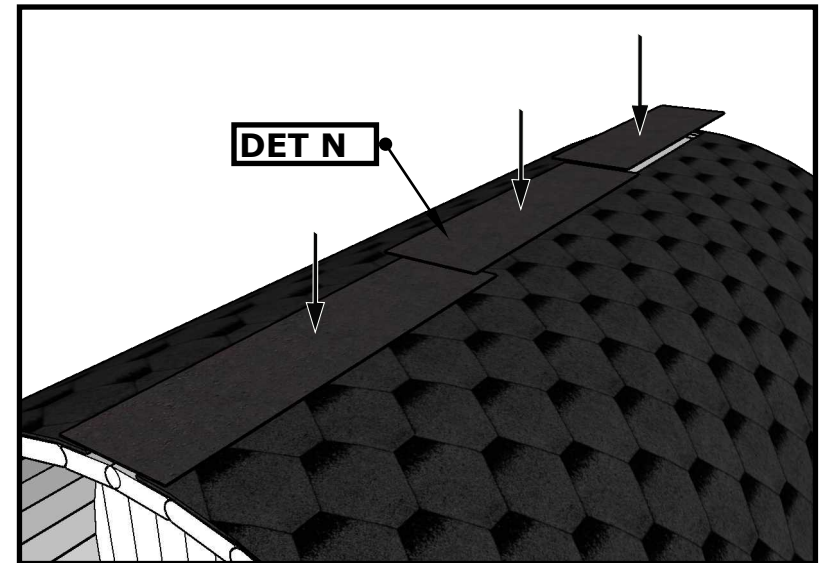
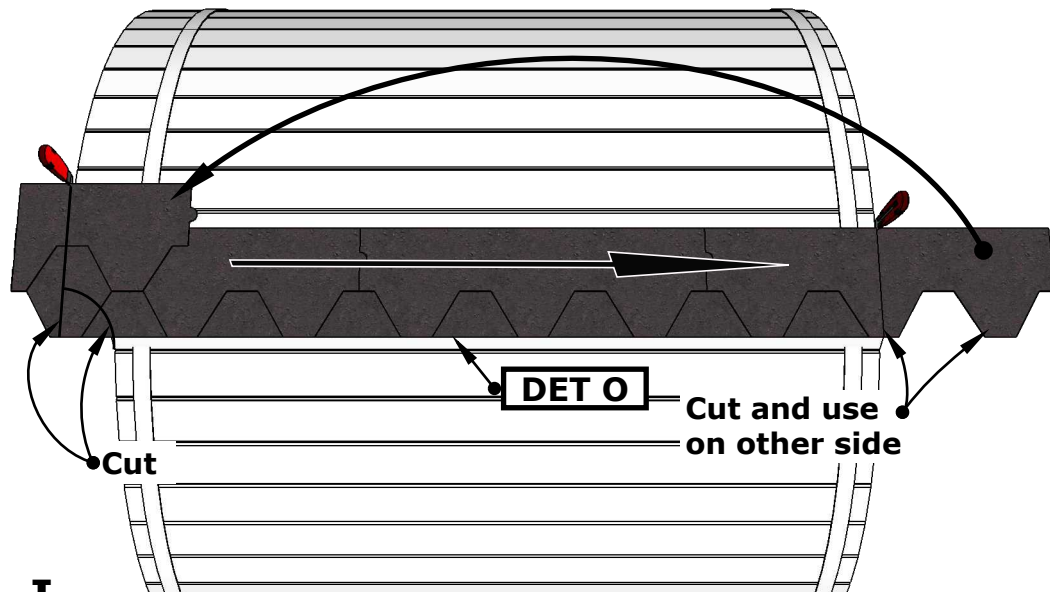
NB! Check also shingles installation manual inside the package.



**SAUNA 220, Ø 200**

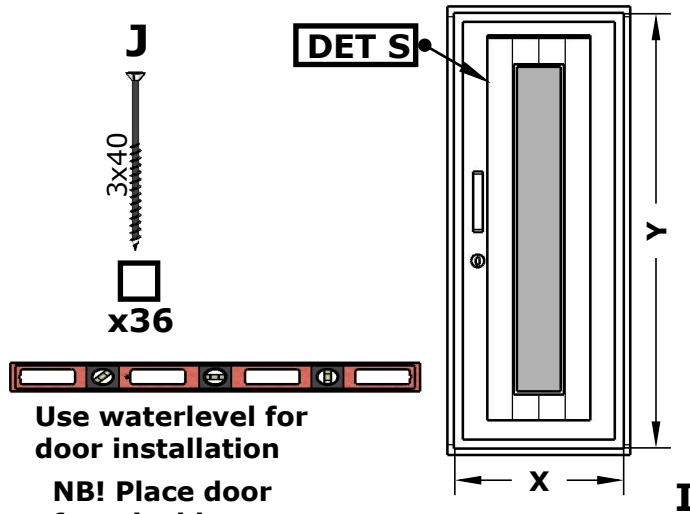


**NB!** Check also shingles installation manual inside the package.





# Wooden door installation



Use waterlevel for door installation

NB! Place door from inside

