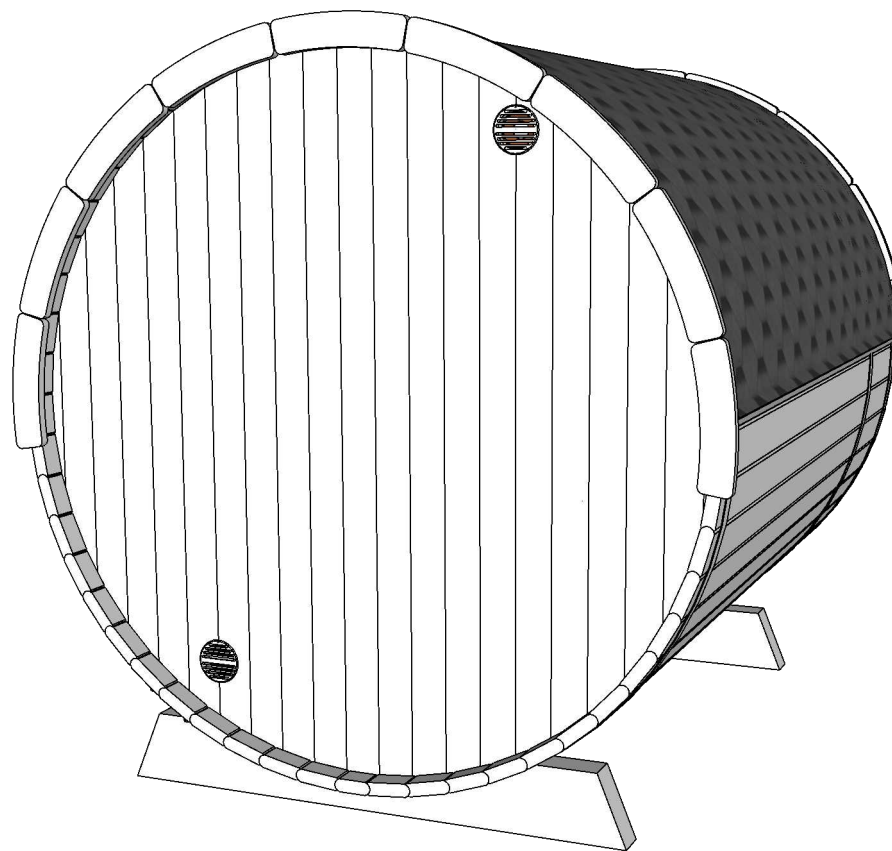
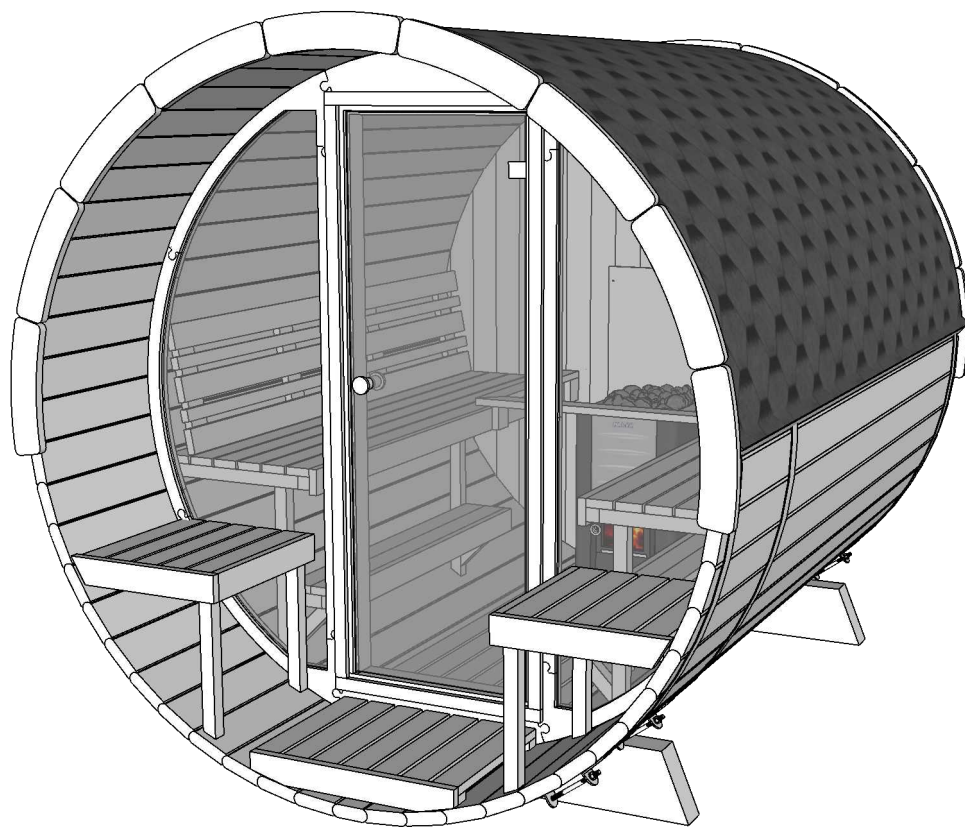


Sauna 280, Ø235

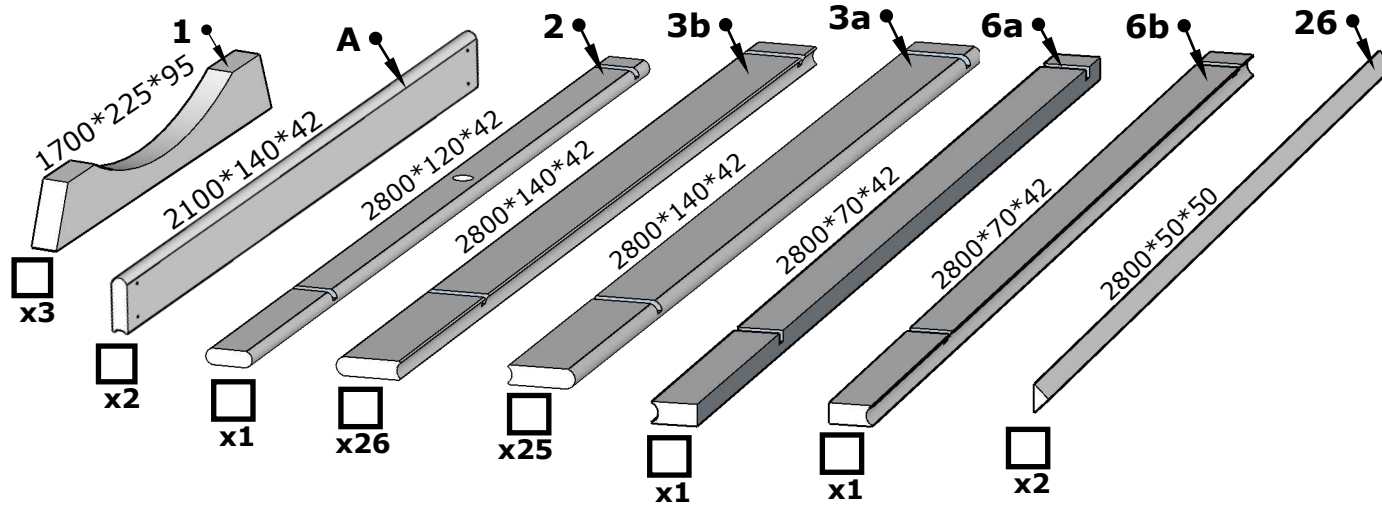
**Please read the whole manual
before start.**

All given measurements are in millimeters.

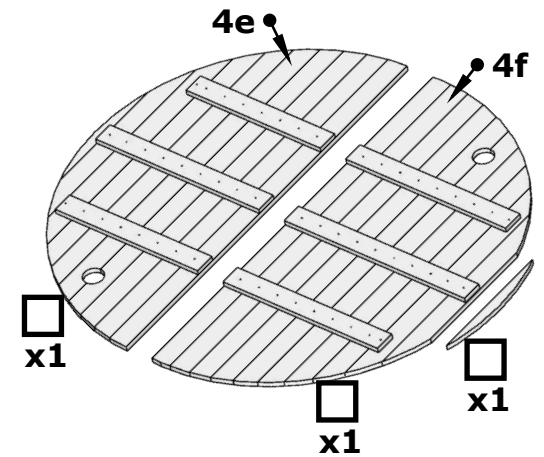
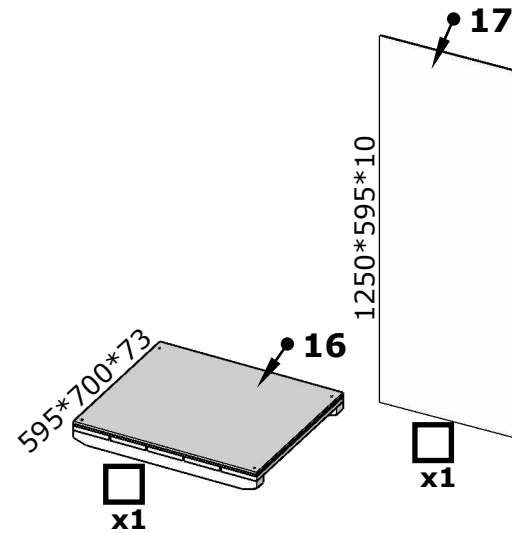
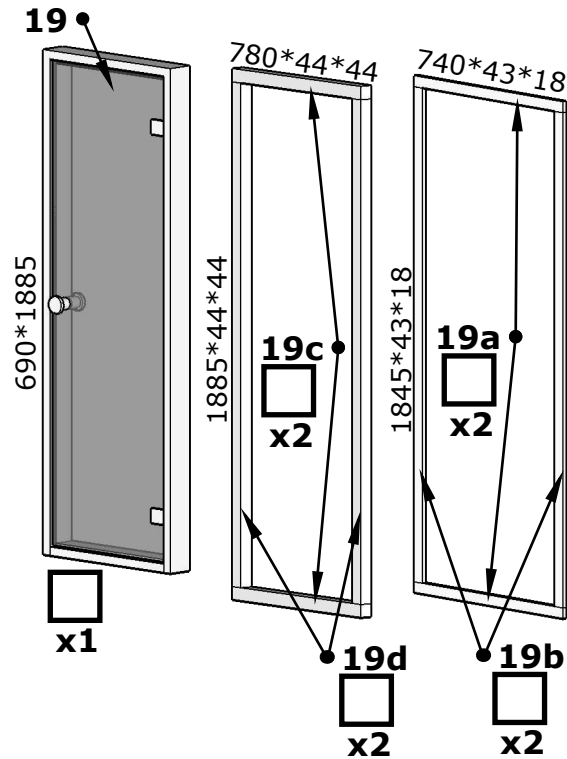
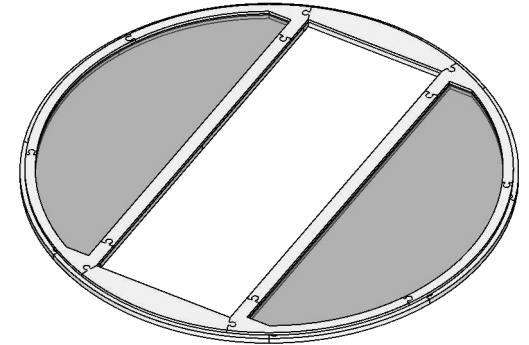


SAUNA 280, Ø 235

Details List Nr. 1

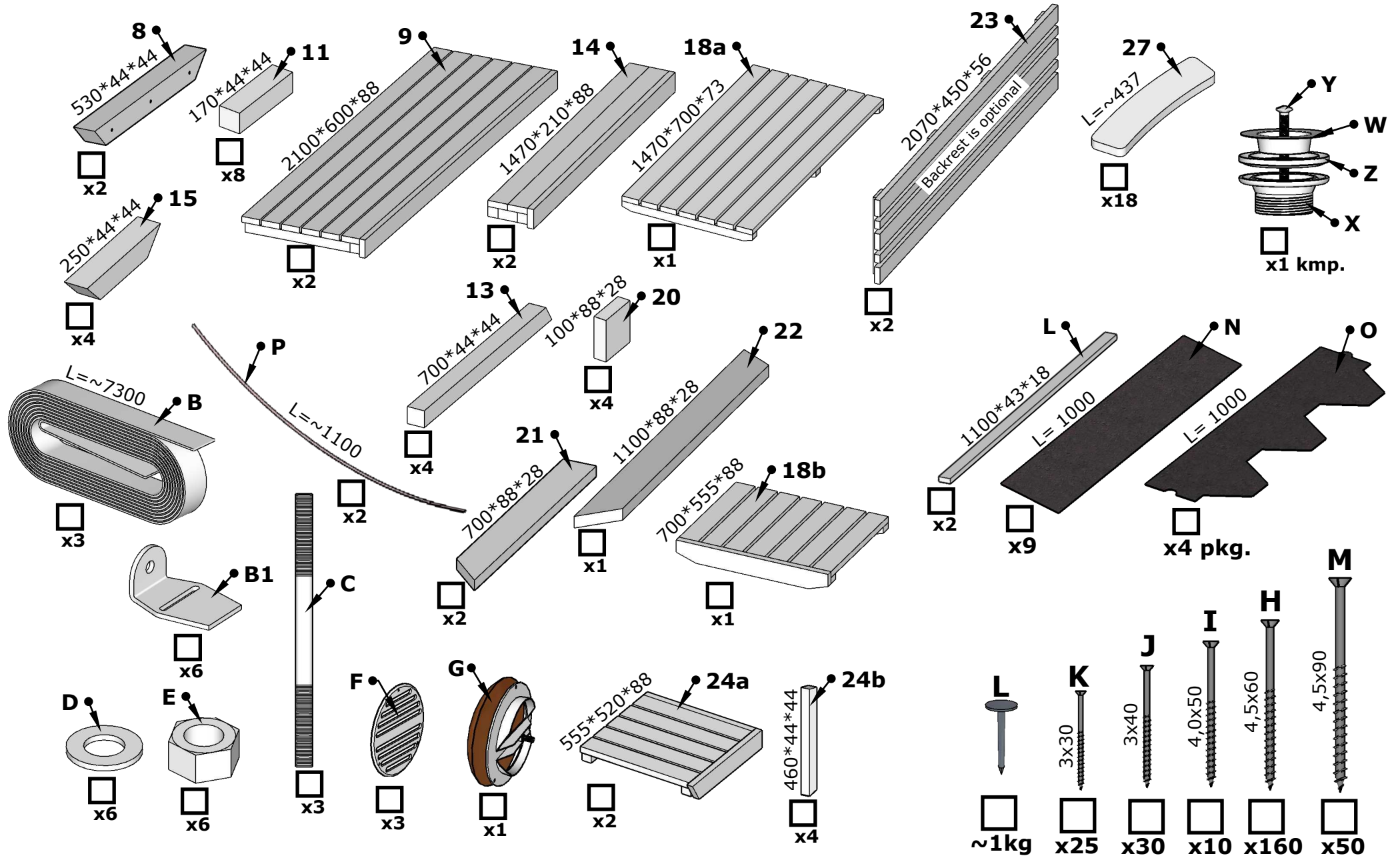


Glass walls installation manual is on extra pages!

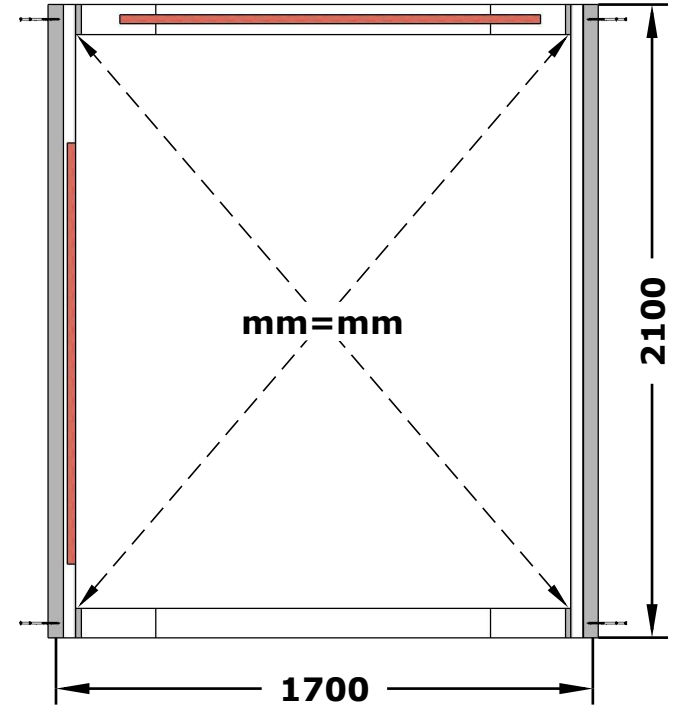
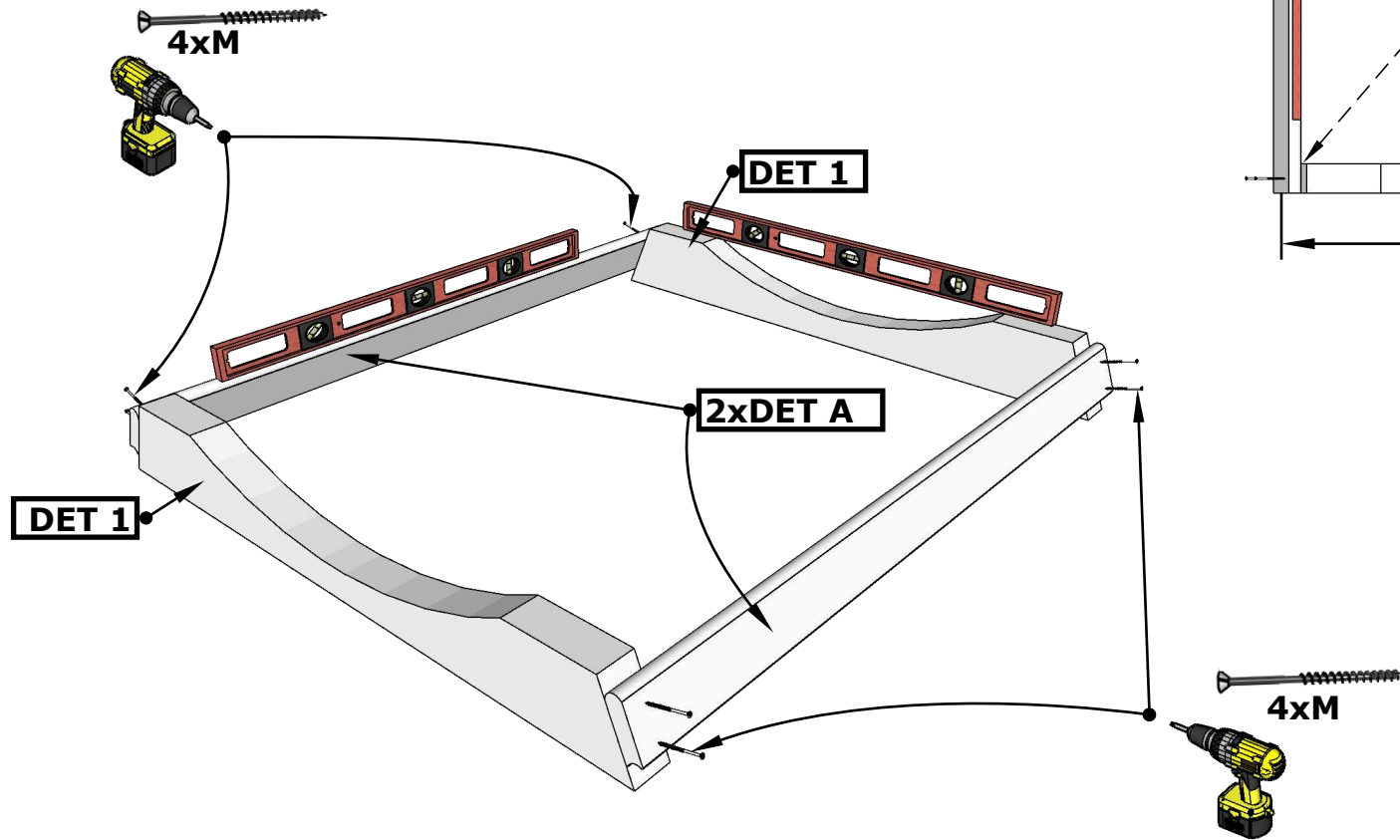


SAUNA 280, Ø 235

Details List Nr. 2



Sauna 280, Ø235

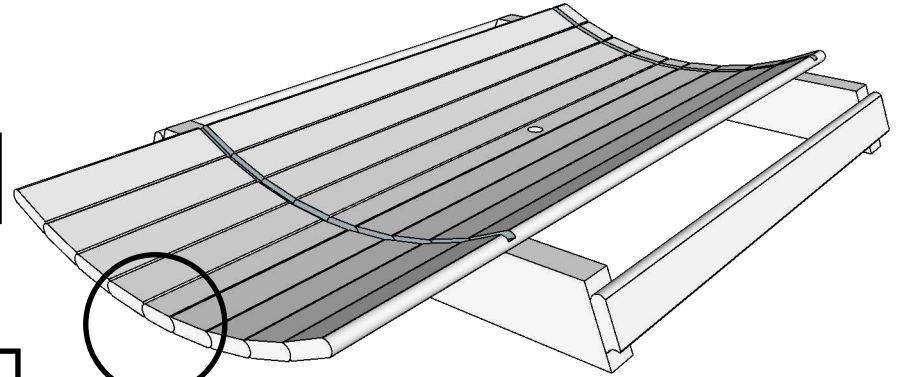


1.

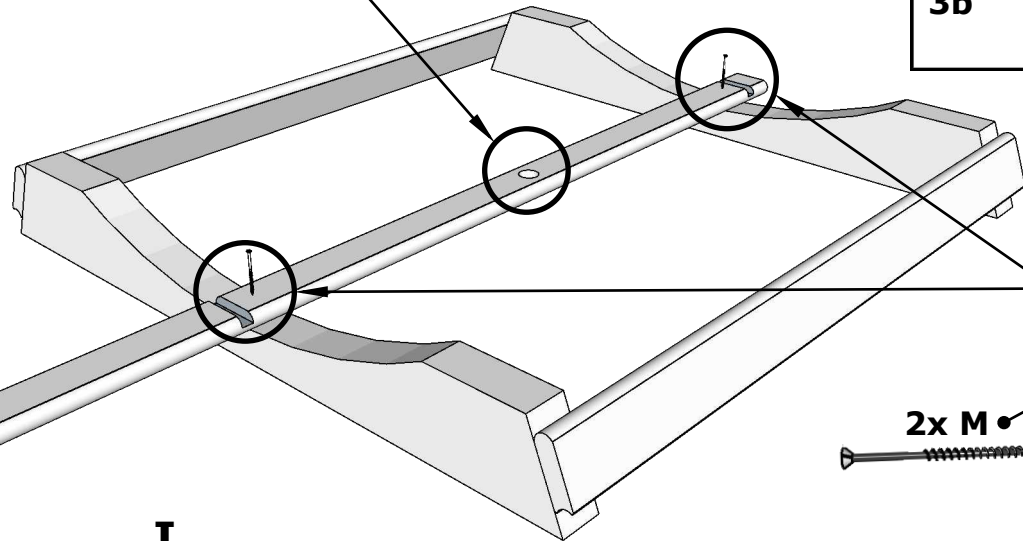
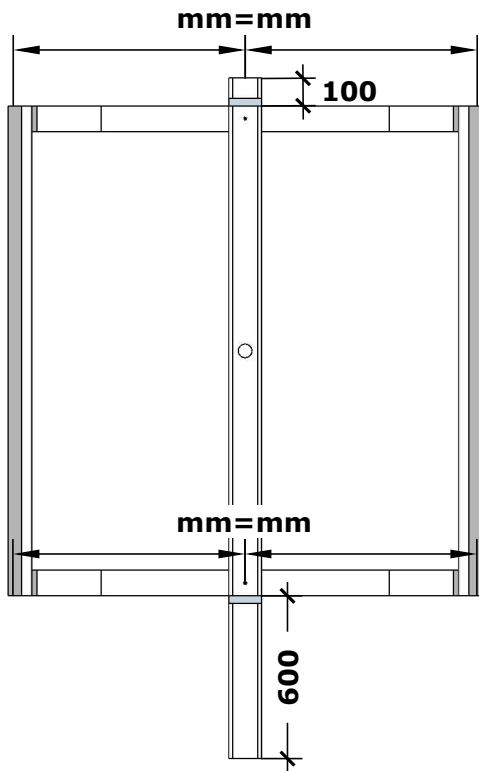
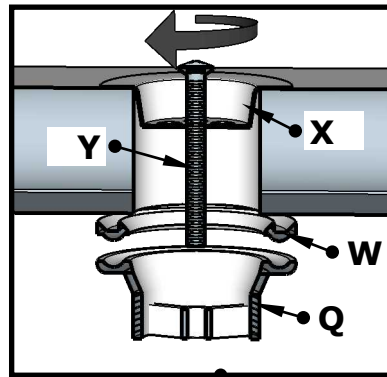
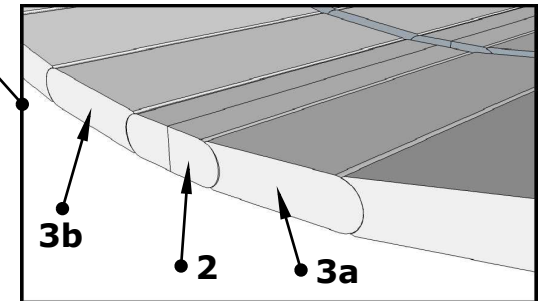
Sauna 280, Ø235



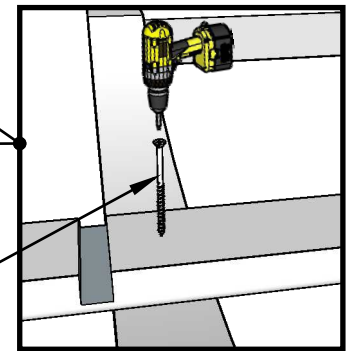
4 x DET 3a
4 x DET 3b



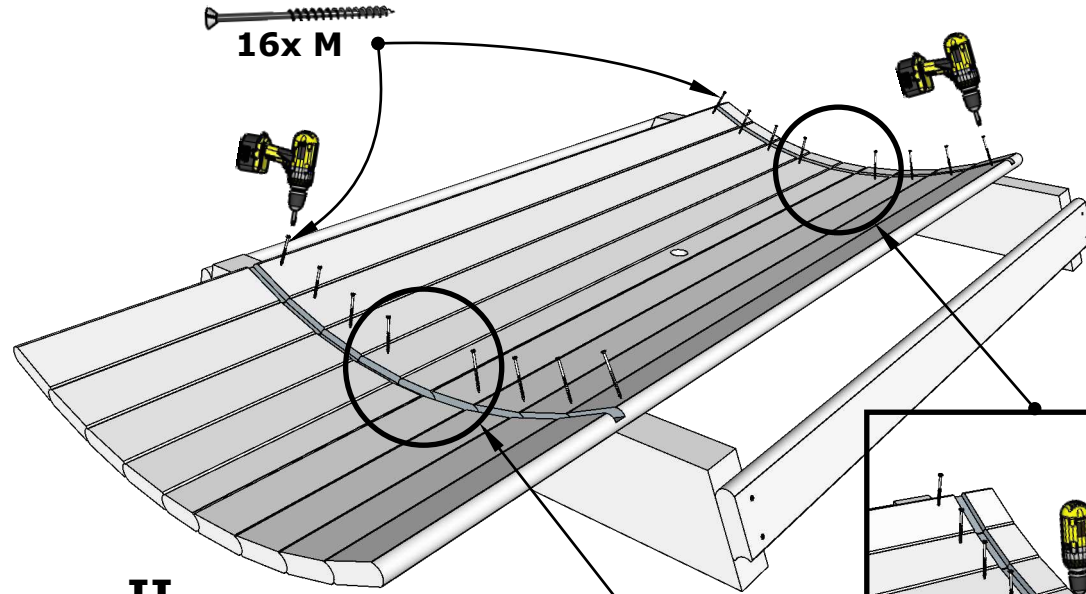
II



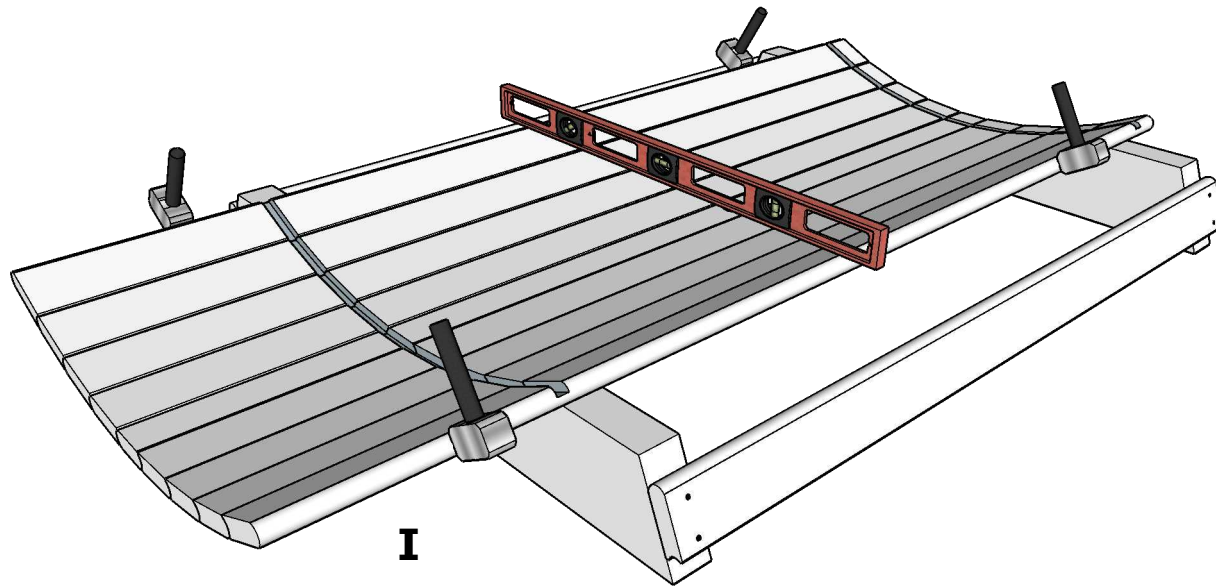
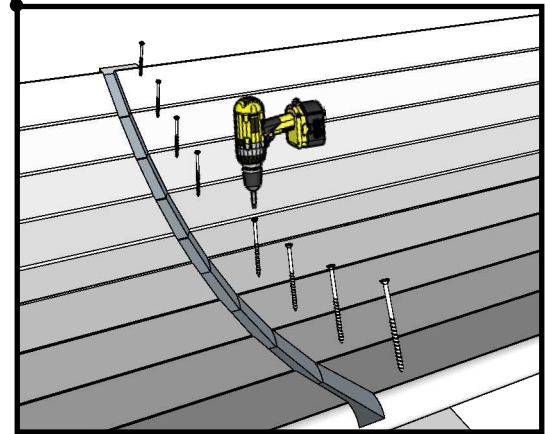
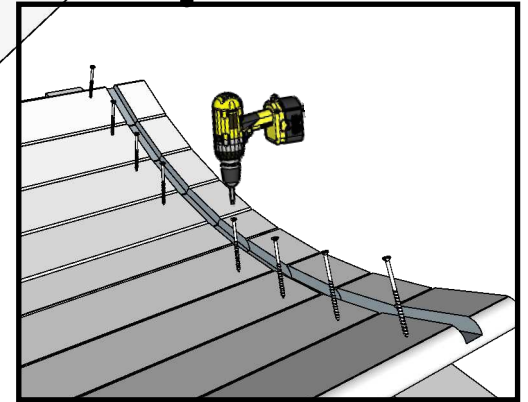
I



Sauna 280, Ø235



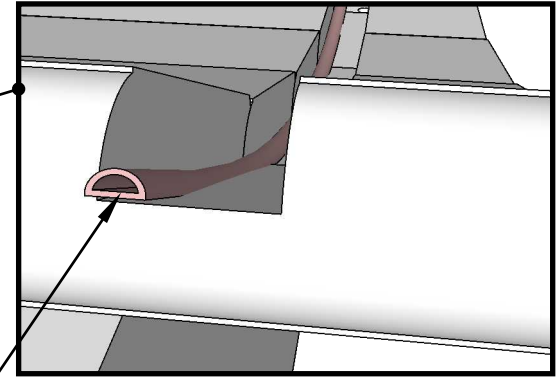
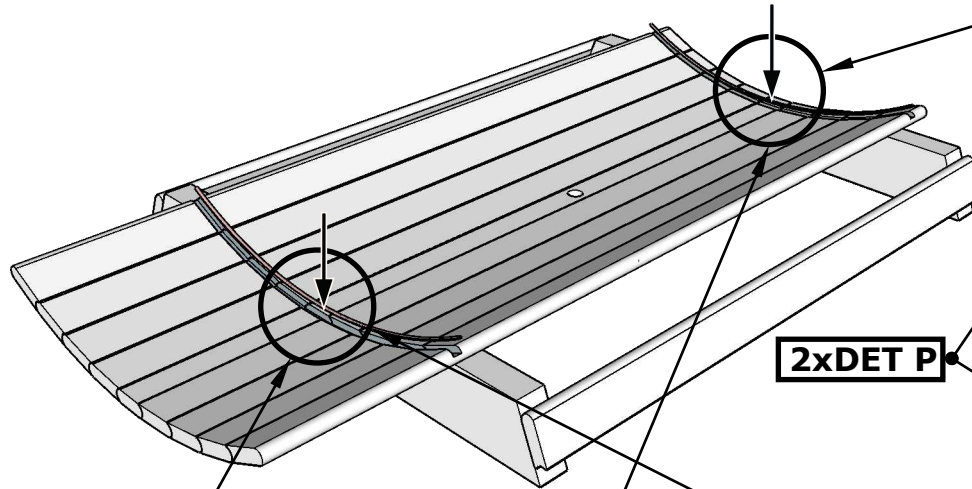
II



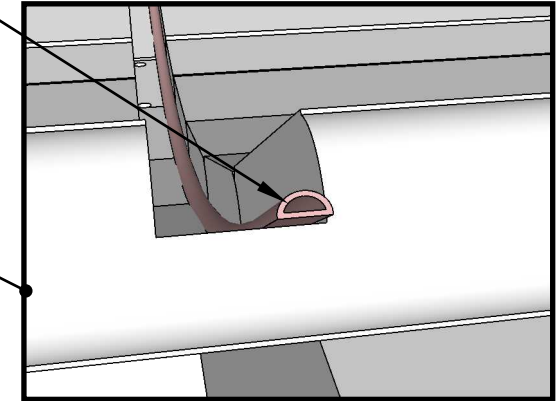
I

3.

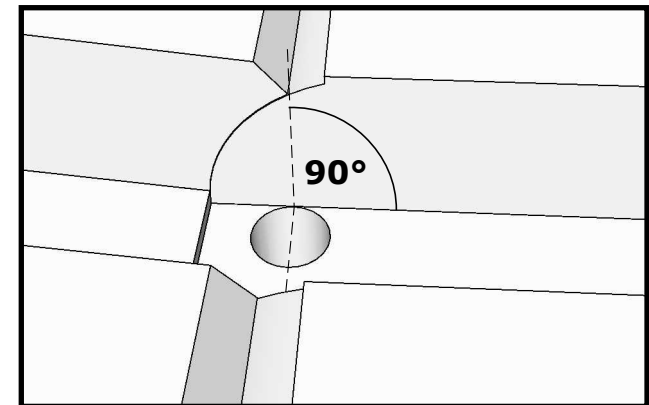
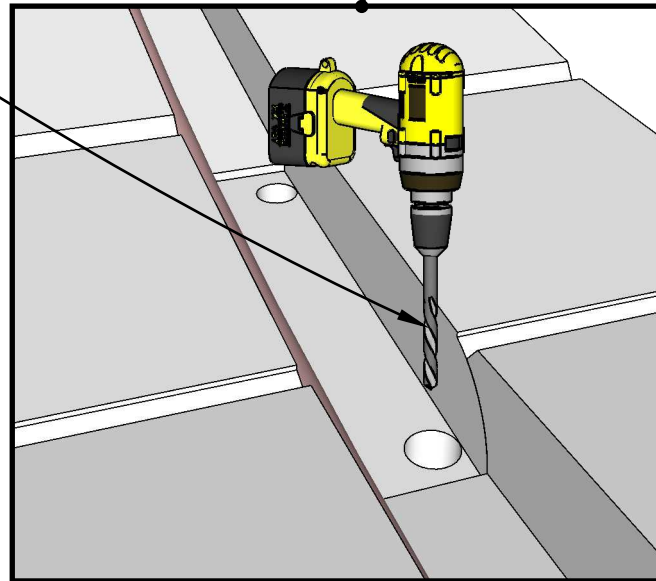
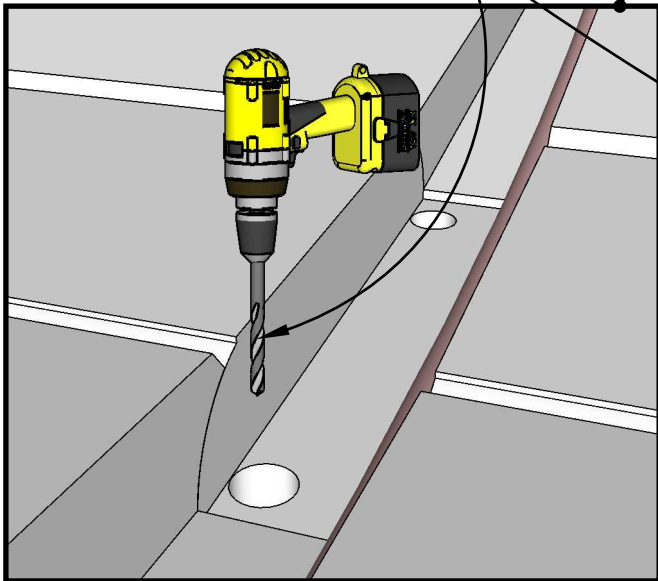
Sauna 280, Ø235



2xDET P

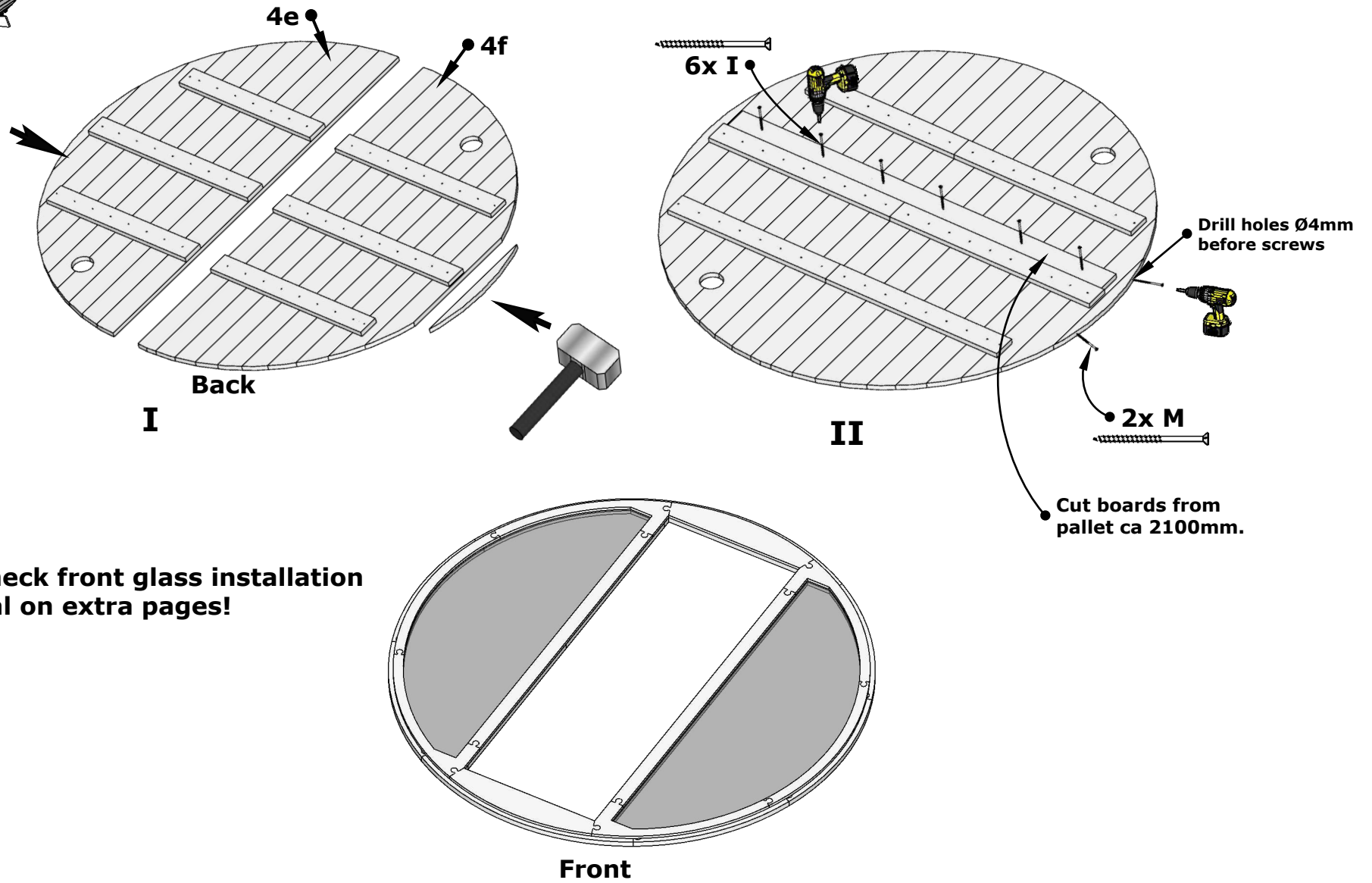


Drill holes Ø10 mm into DET 2, outside



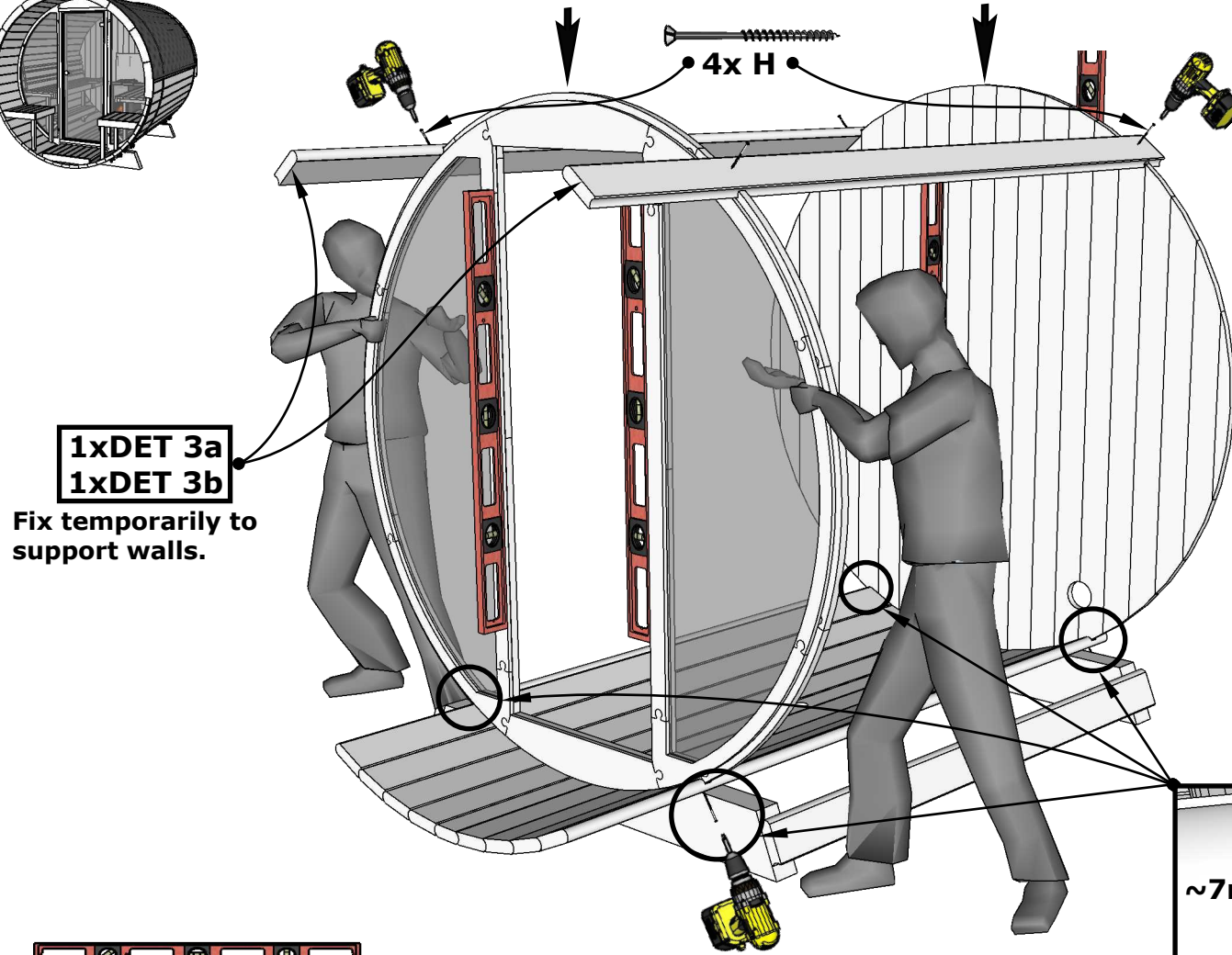
3A.

Sauna 280, Ø235



NB! Check front glass installation manual on extra pages!

Sauna 280, Ø235

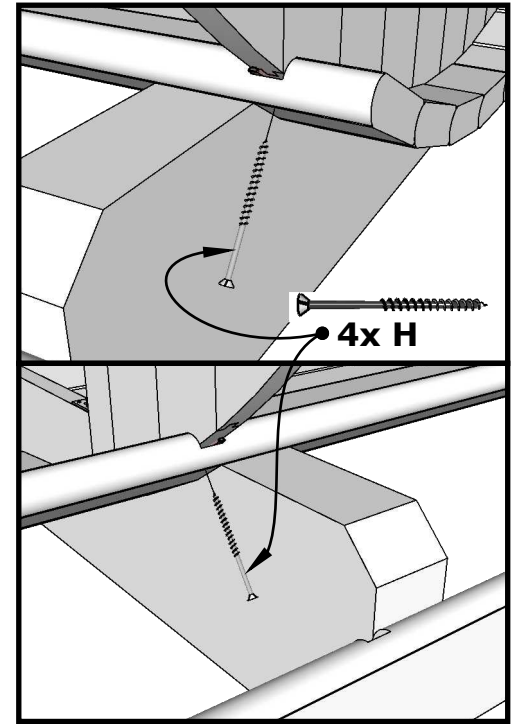


1xDET 3a
1xDET 3b

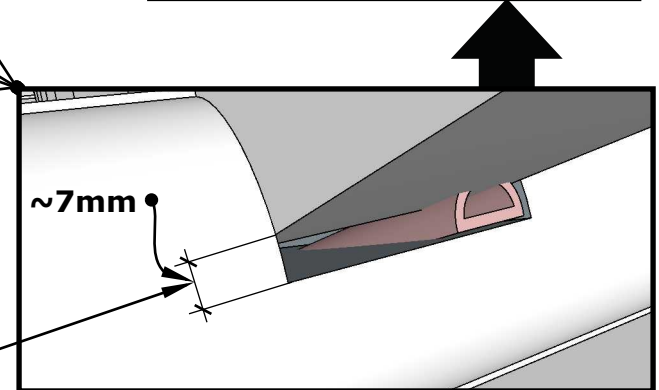
Fix temporarily to support walls.



Use waterlevel



4x H



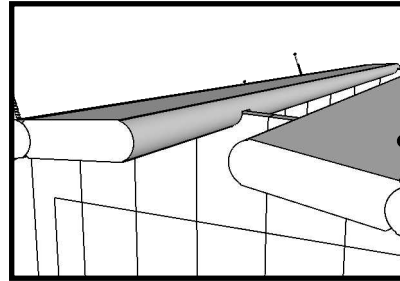
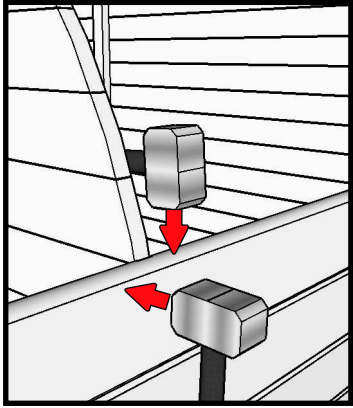
~7mm

Important!
Keep distance!

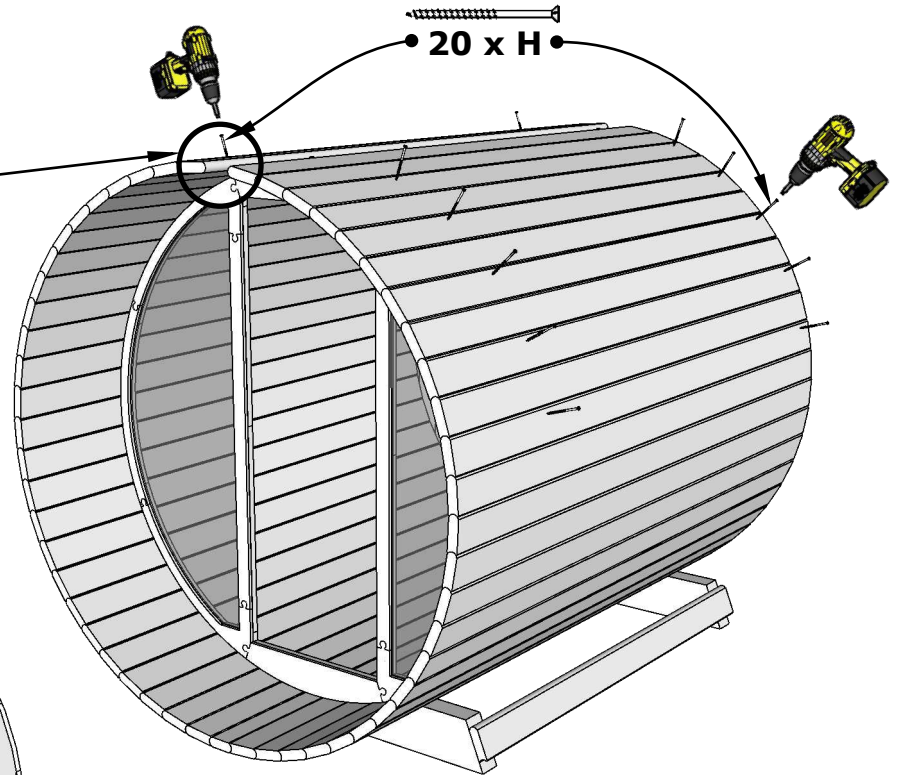
Sauna 280, Ø235



See page 6A

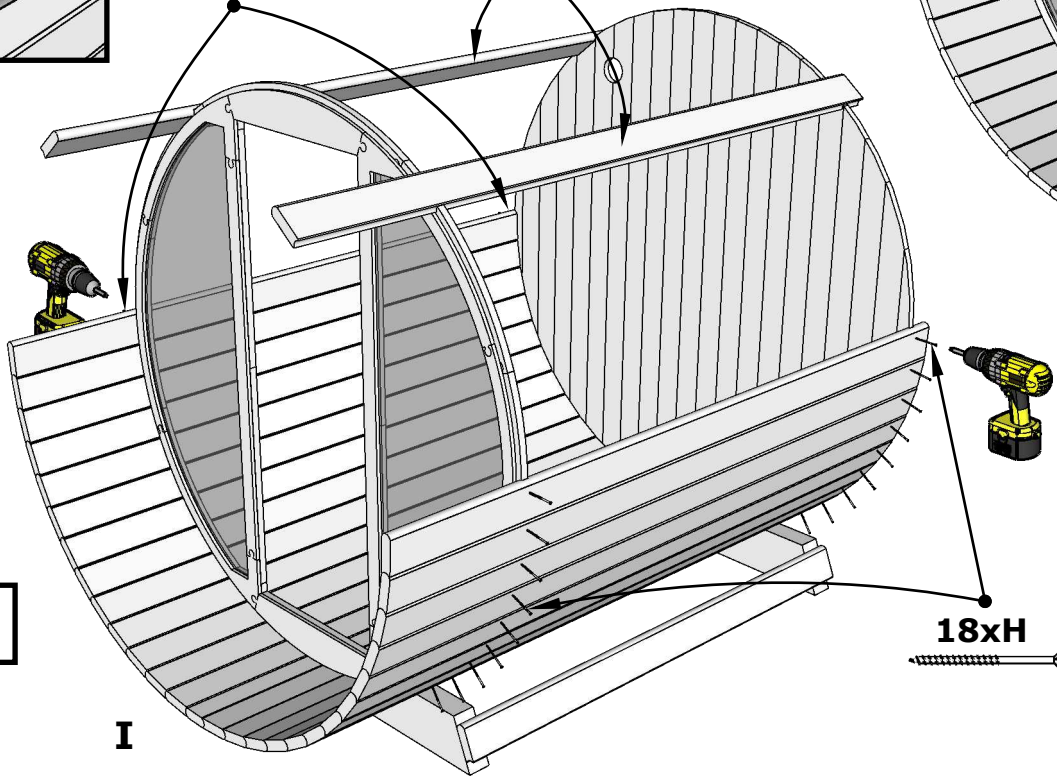


13x DET 3b
12x DET 3a



18xH

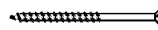
Remove



9x DET 3a
9x DET 3b

II

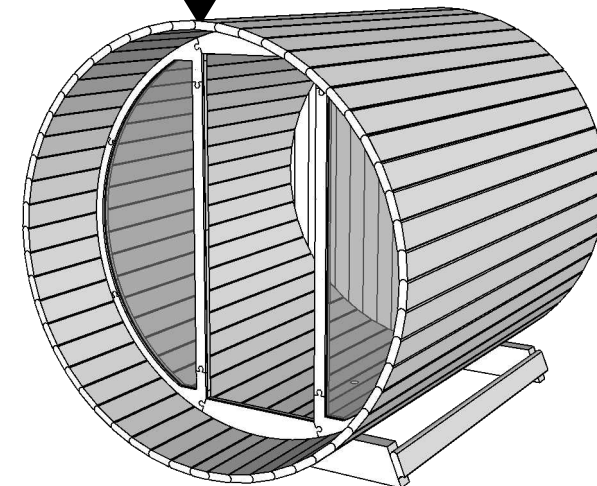
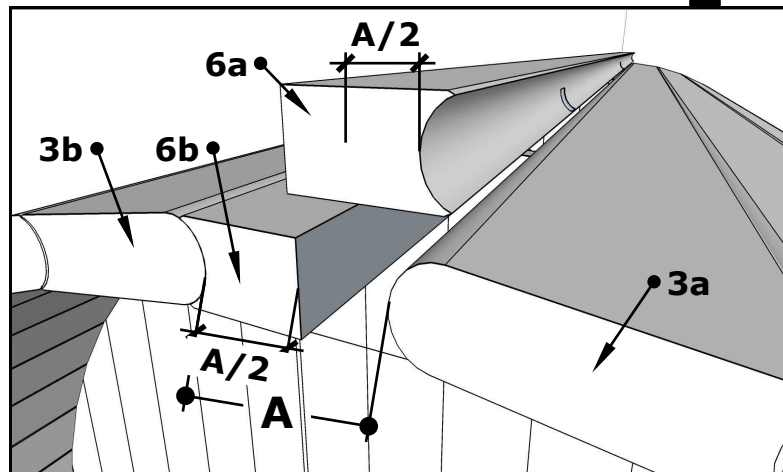
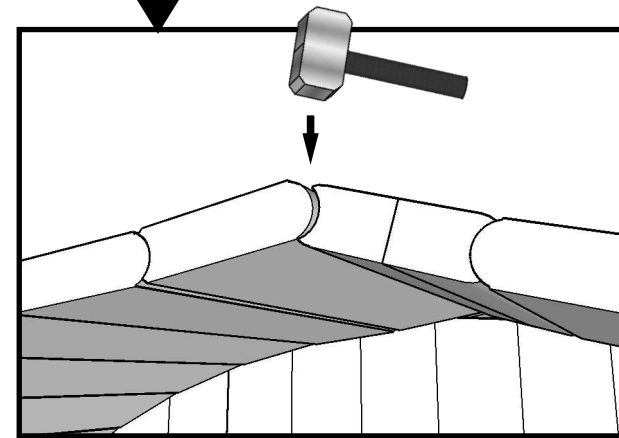
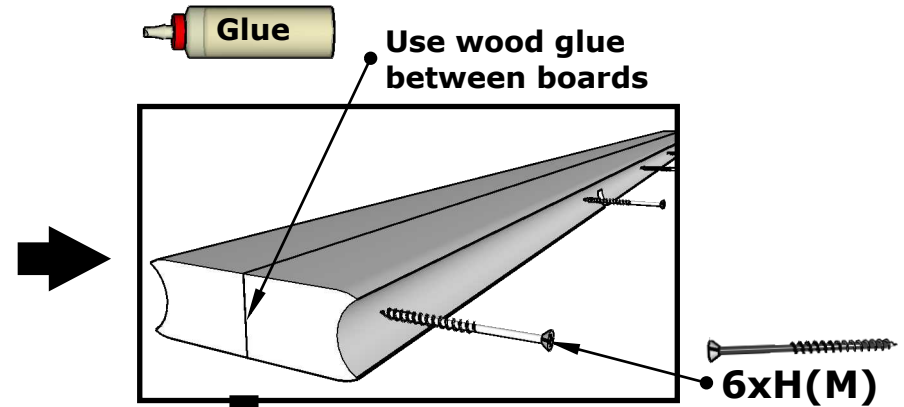
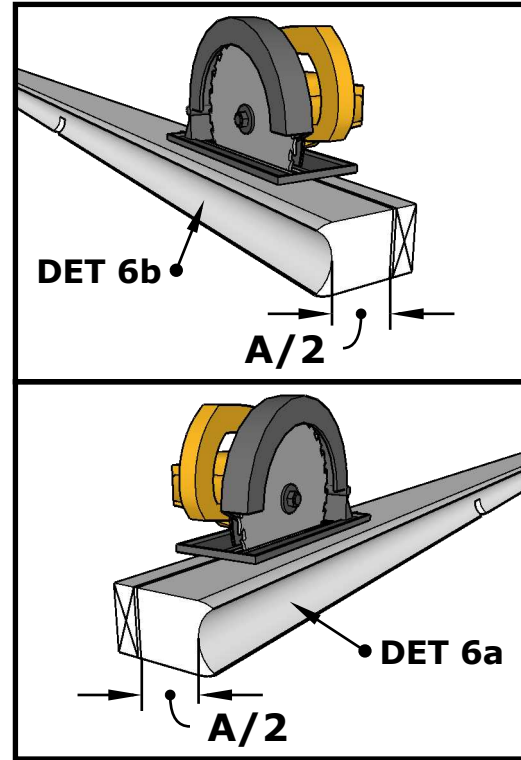
18xH



I

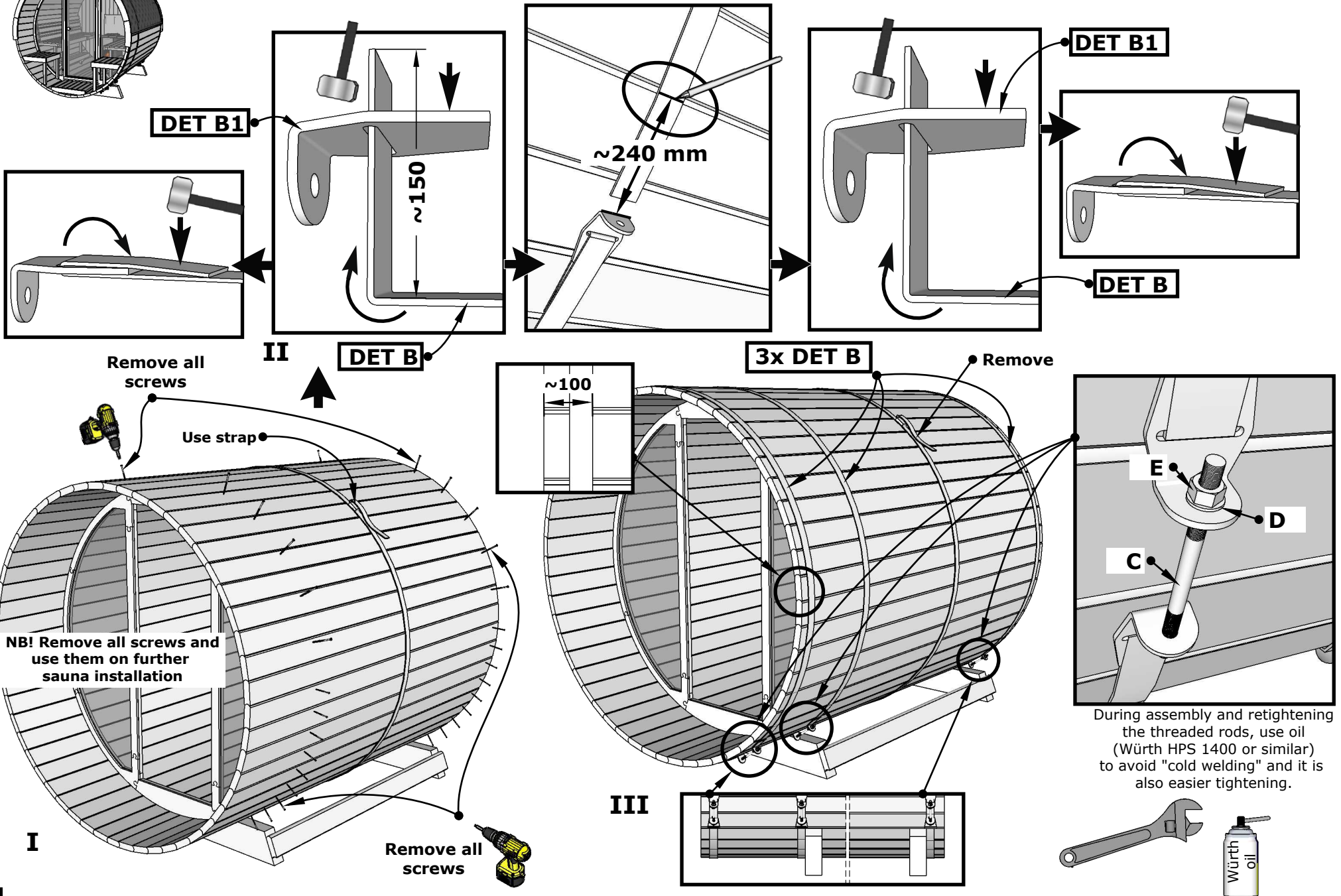
6.

Sauna 280, Ø235

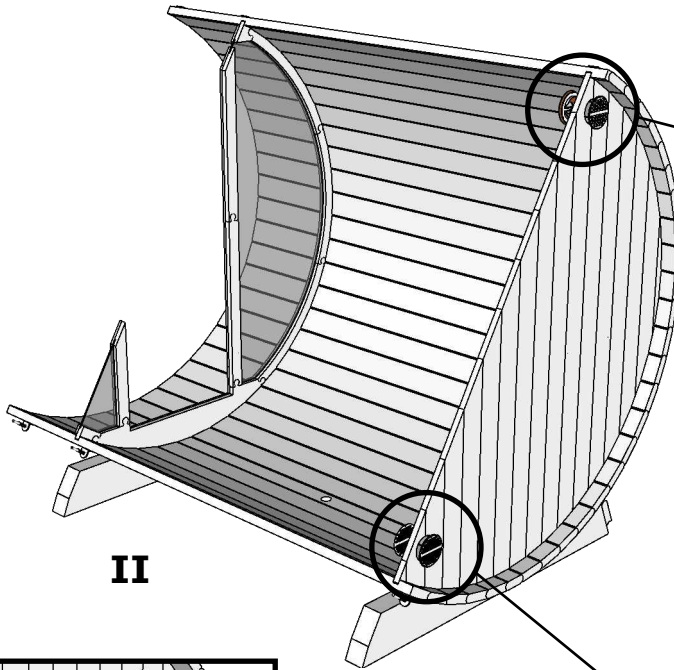


6A.

Sauna 280, Ø235

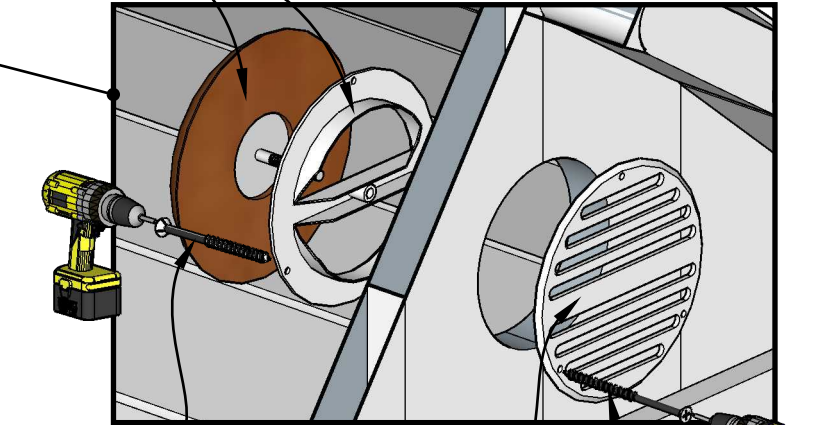


Sauna 280, Ø235



II

1xDET G

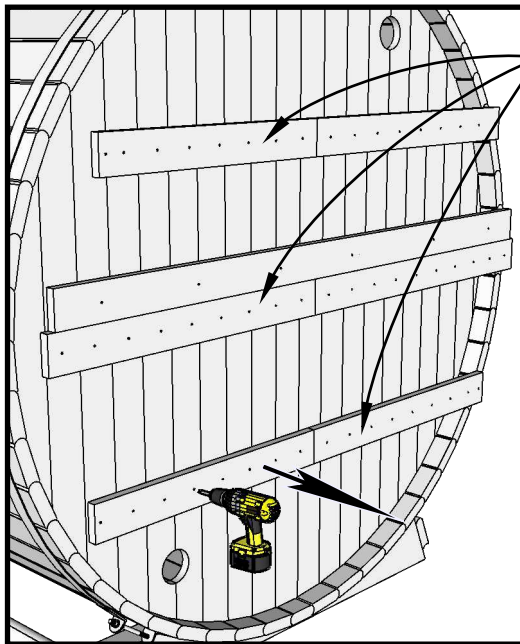


3x K

1xDET F

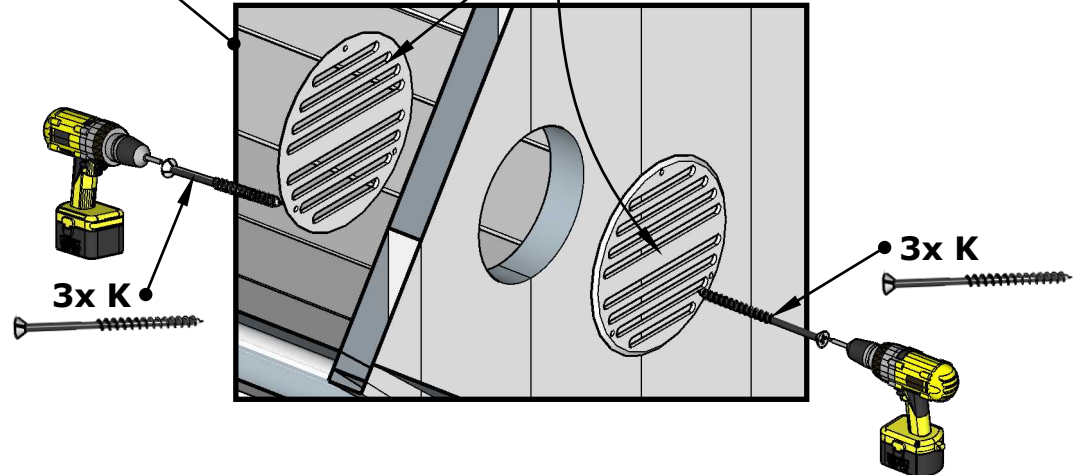
3x K

Back



Remove all brackets

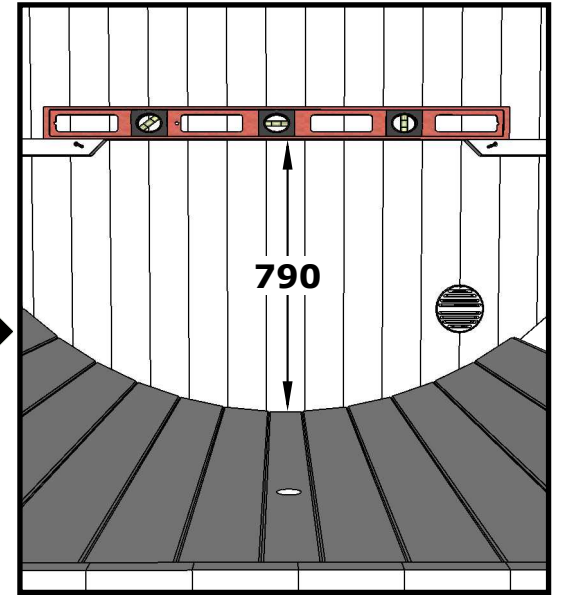
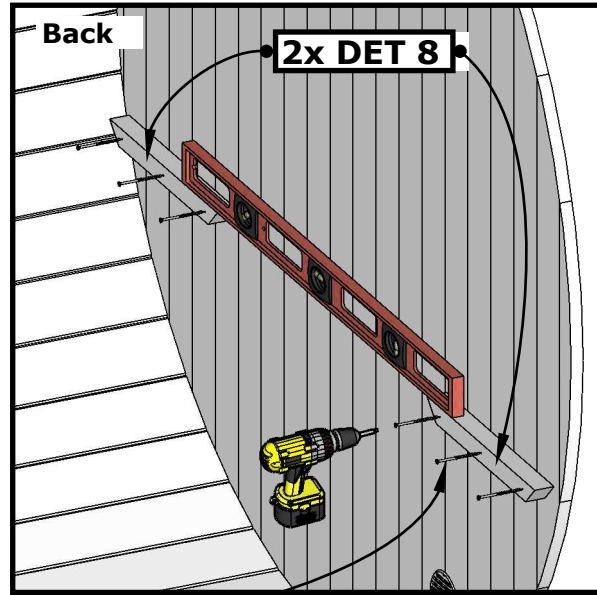
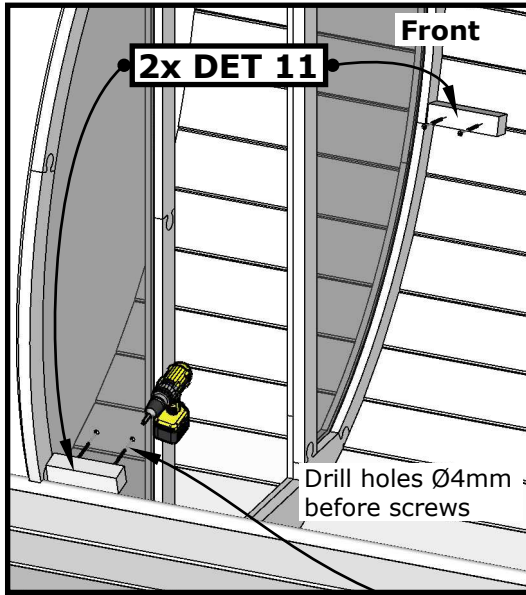
2xDET F



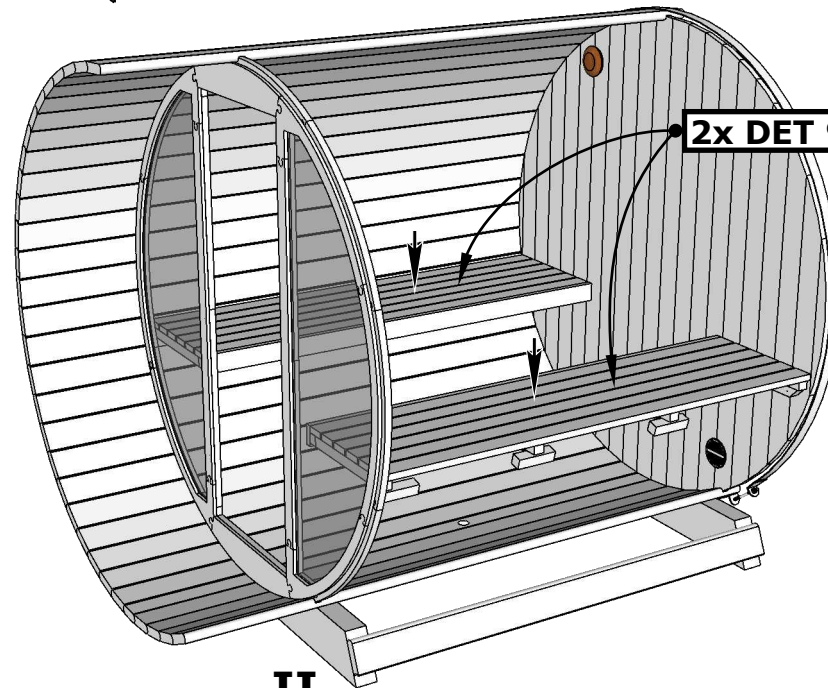
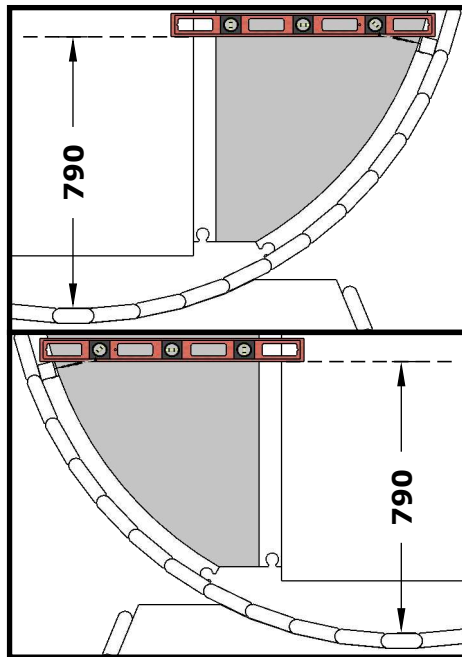
3x K

3x K

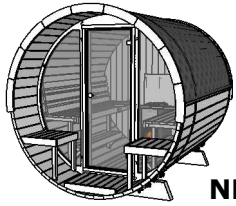
Sauna 280, Ø235



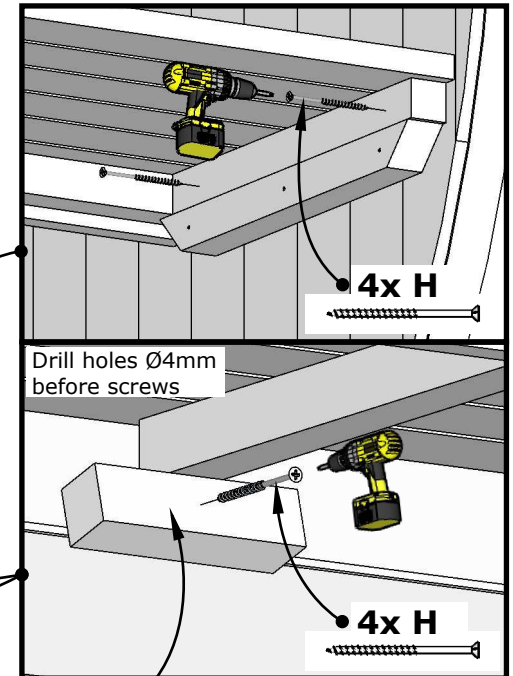
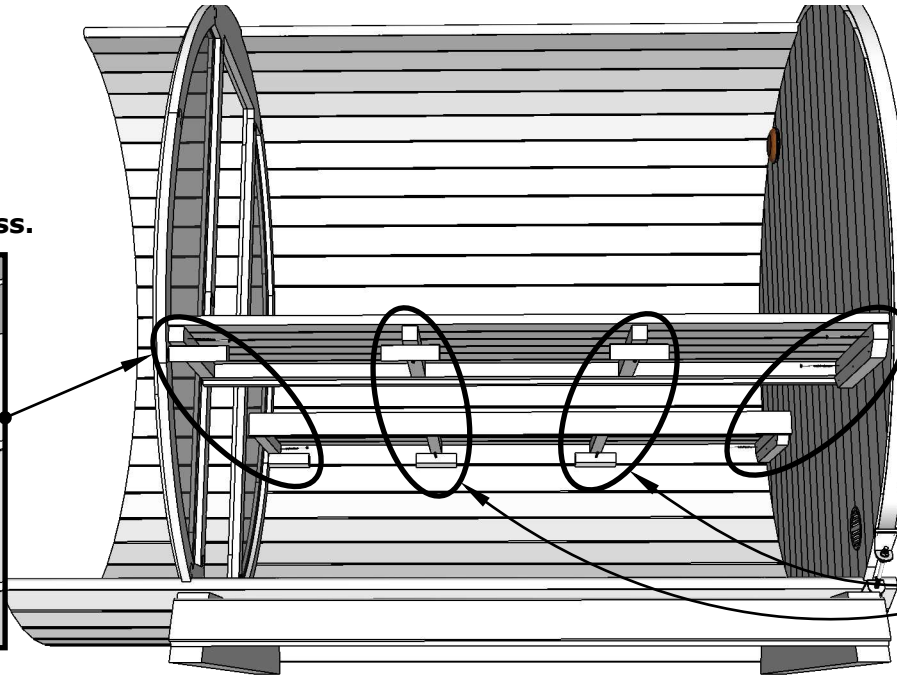
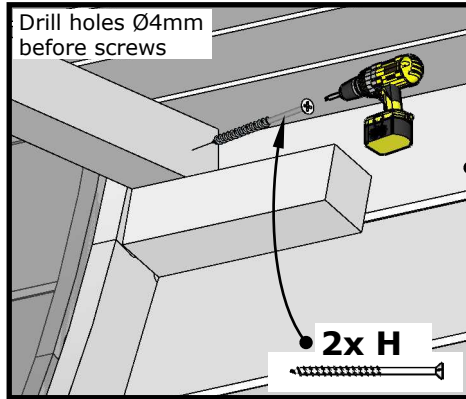
I



Sauna 280, Ø235

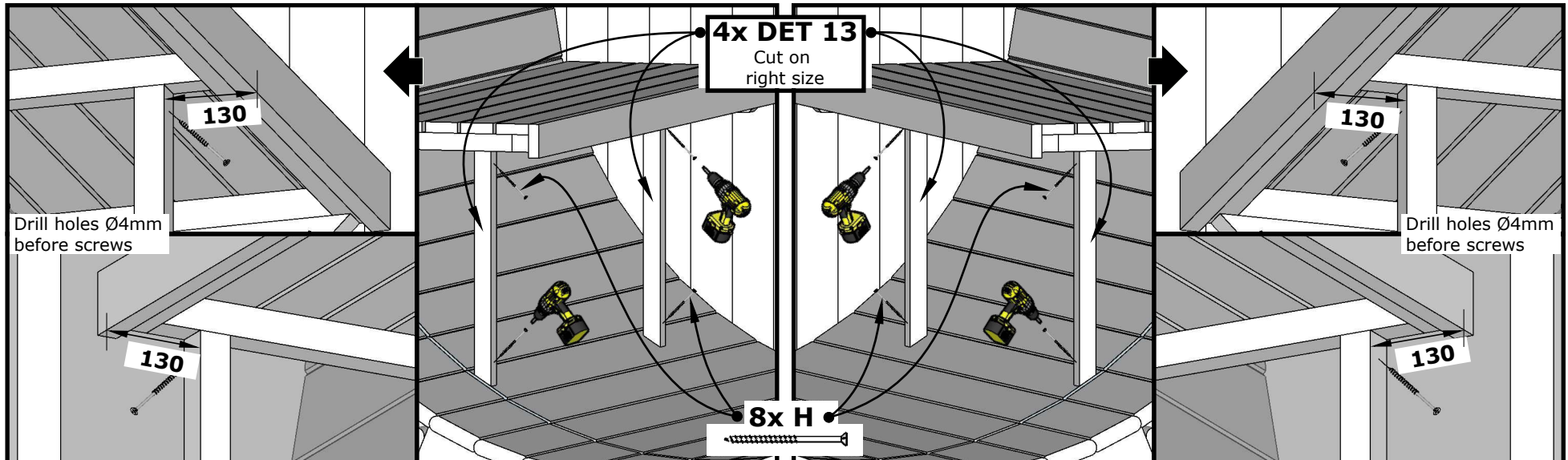


NB! Be careful, do not hit the glass.



I

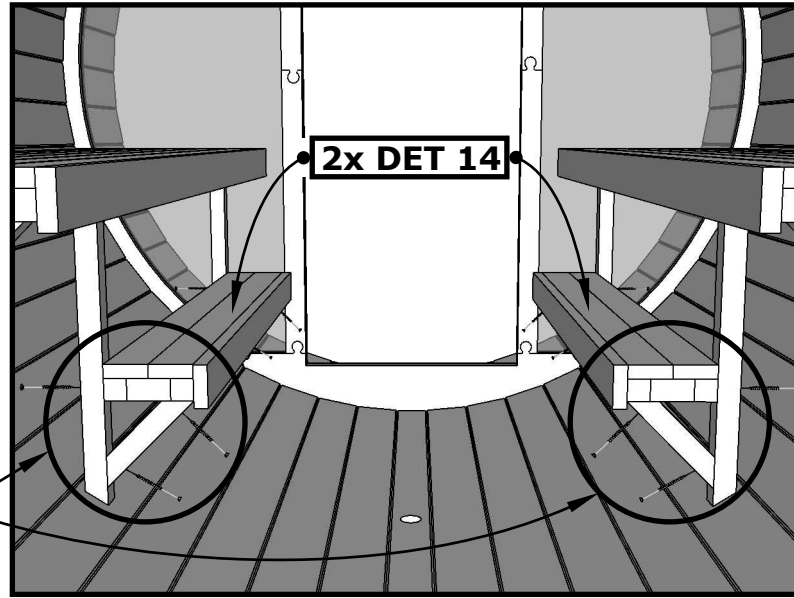
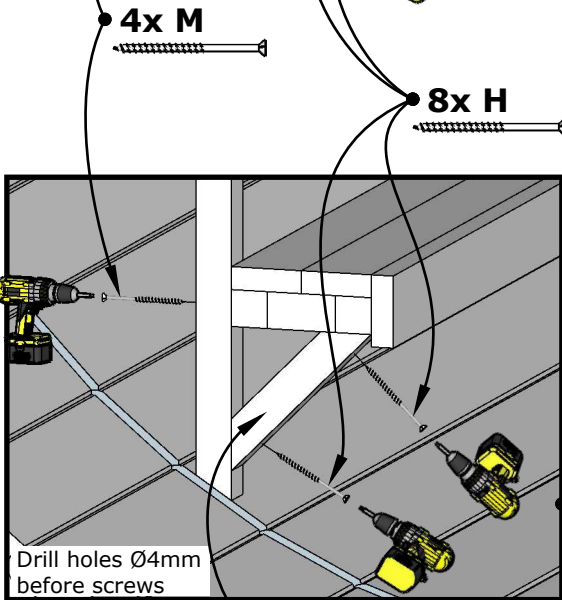
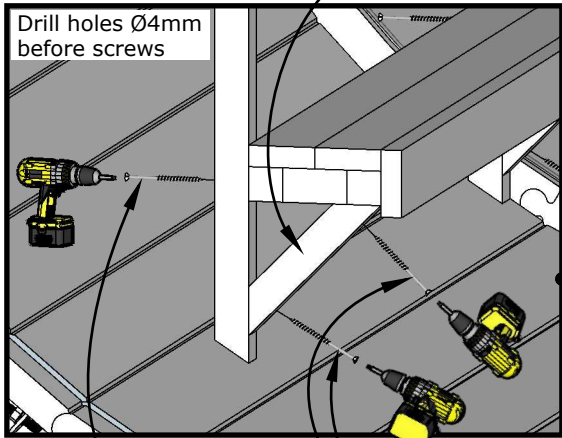
4x DET 11



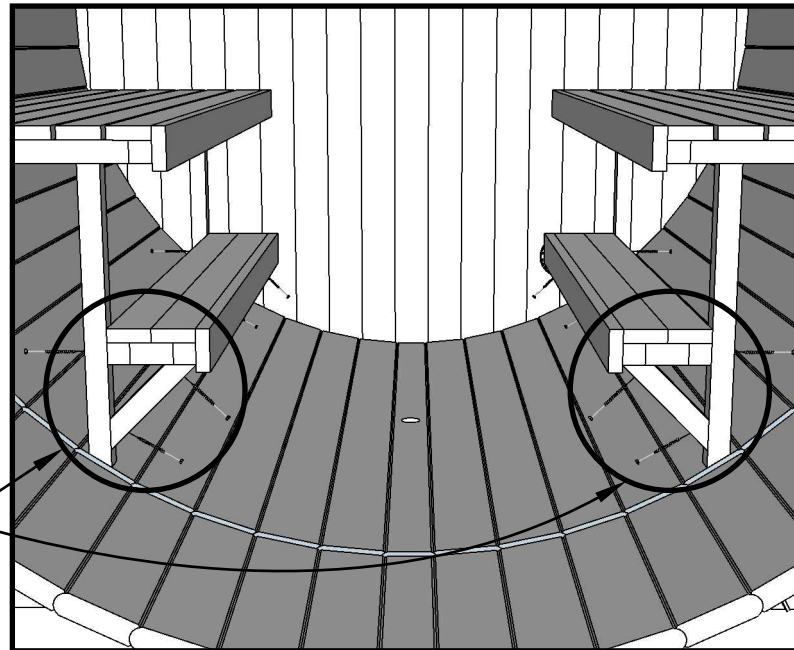
II

10.

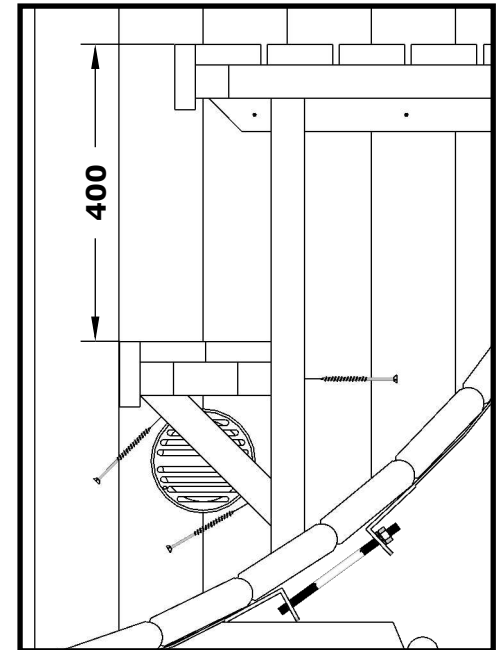
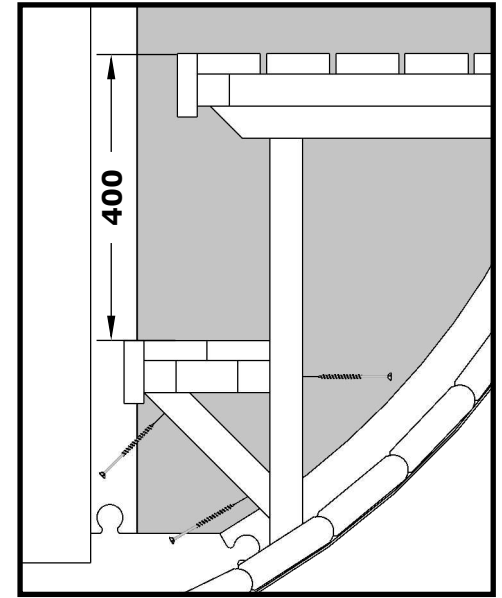
Sauna 280, Ø235



I



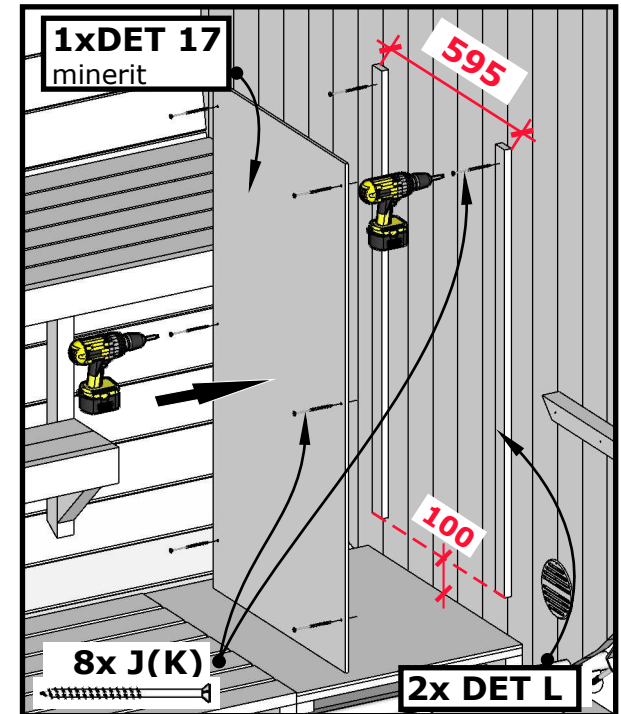
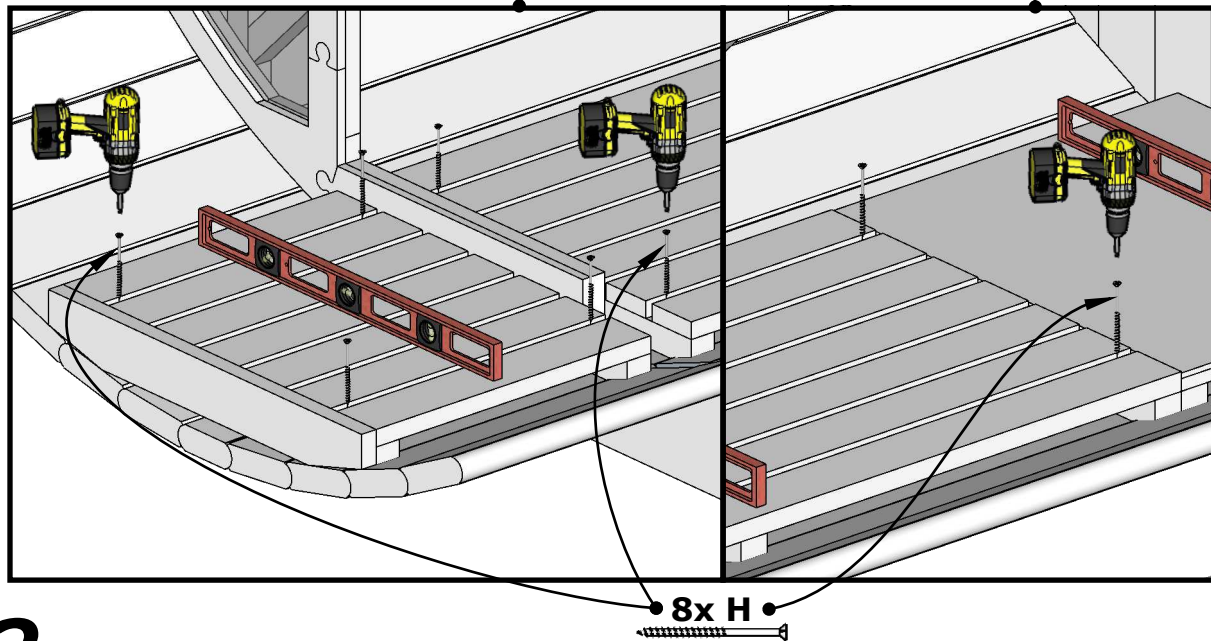
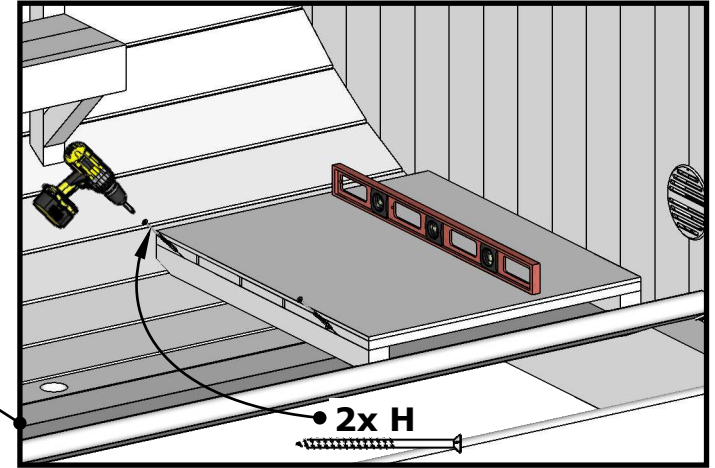
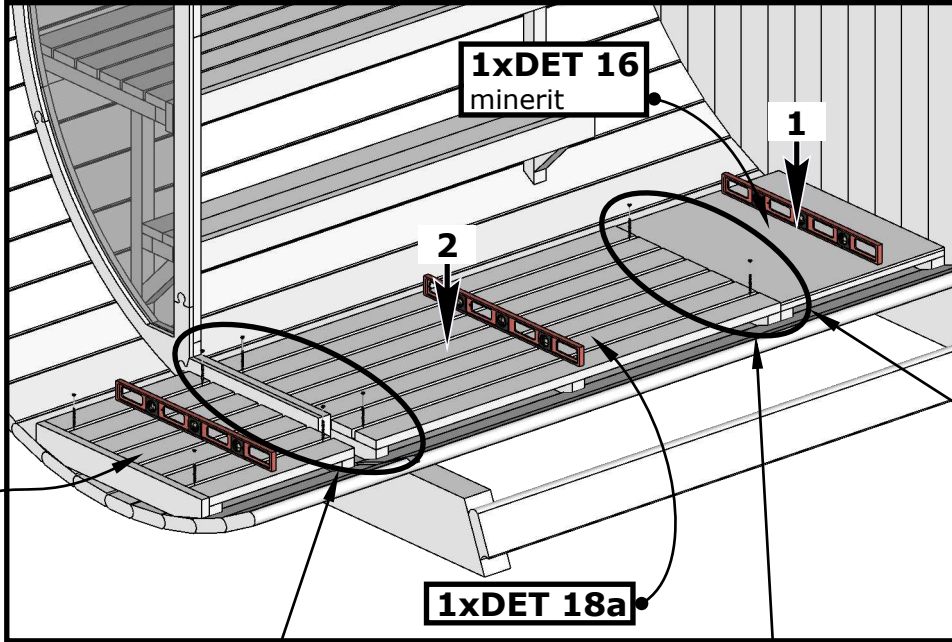
II



11.

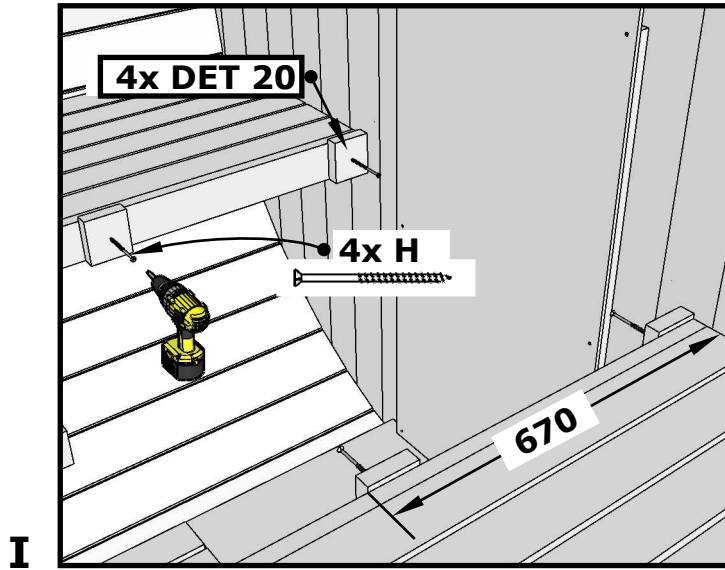
2x DET 15

Sauna 280, Ø235

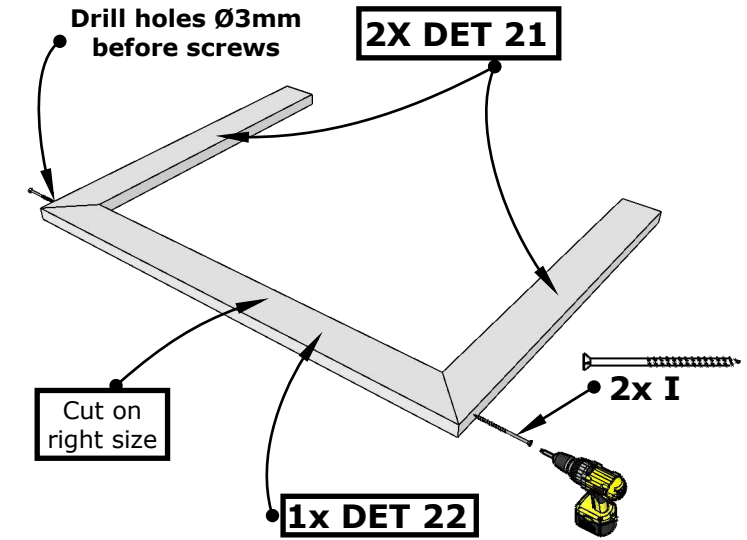


NB! If Your sauna equipped with electrical heater, fix DET 17 directly to the wall without DET L. Then use screws K.

Sauna 280, Ø235



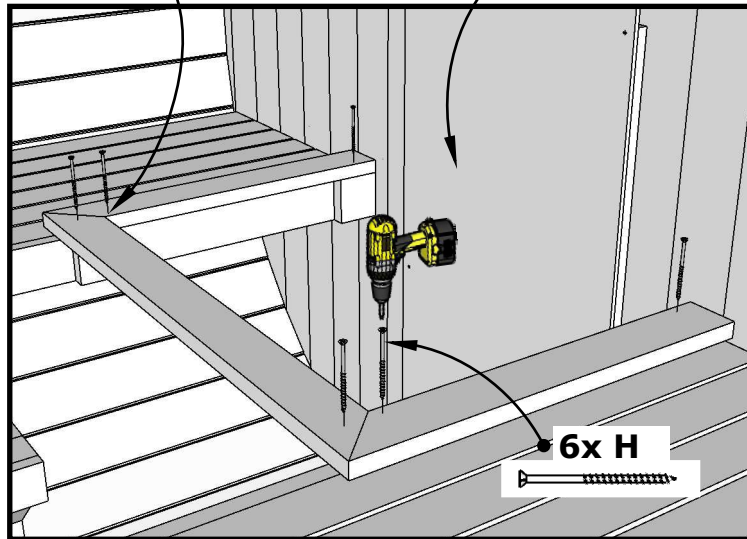
I



II

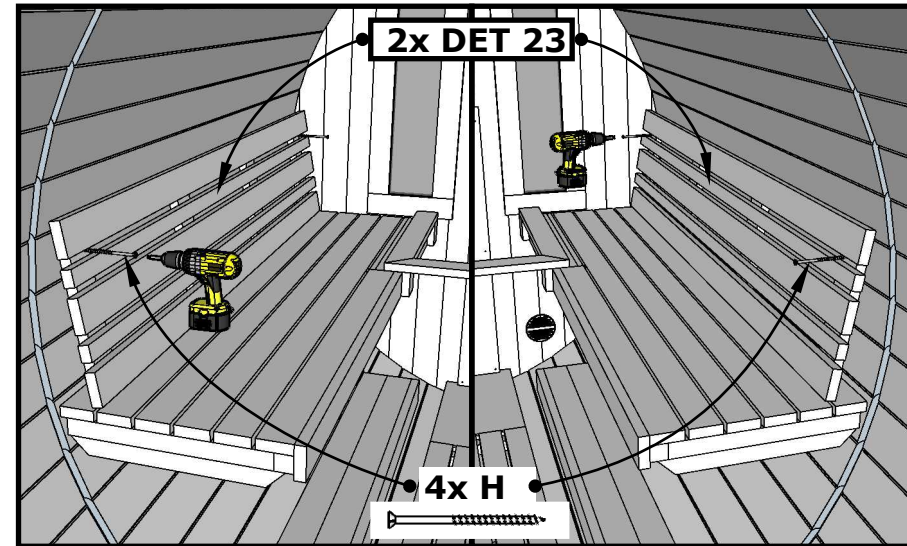
Drill holes Ø4mm before screws

NB: Place heater first.



III

Backrests is optional.

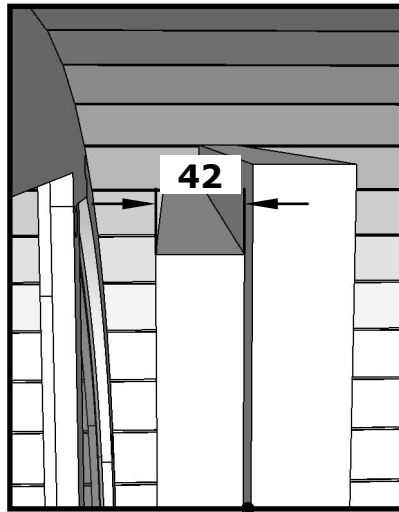


IV

Sauna 280, Ø235

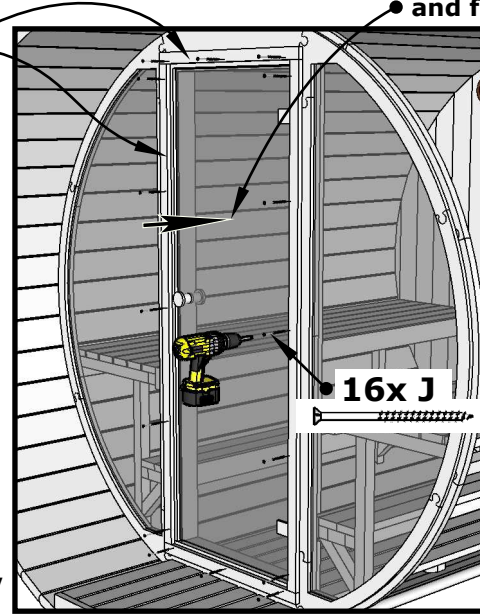


Use waterlevel for door installation.



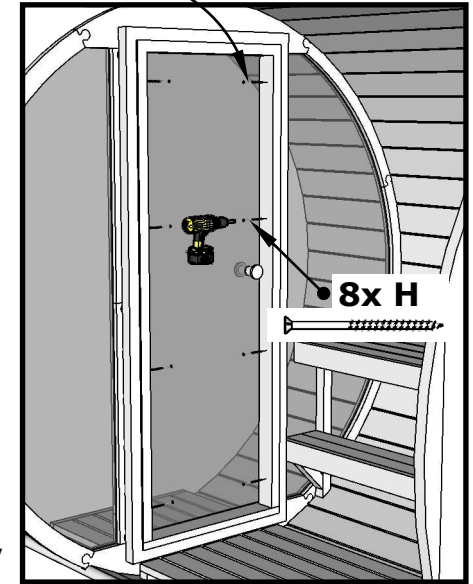
2x DET 19a
2x DET 19b

IV

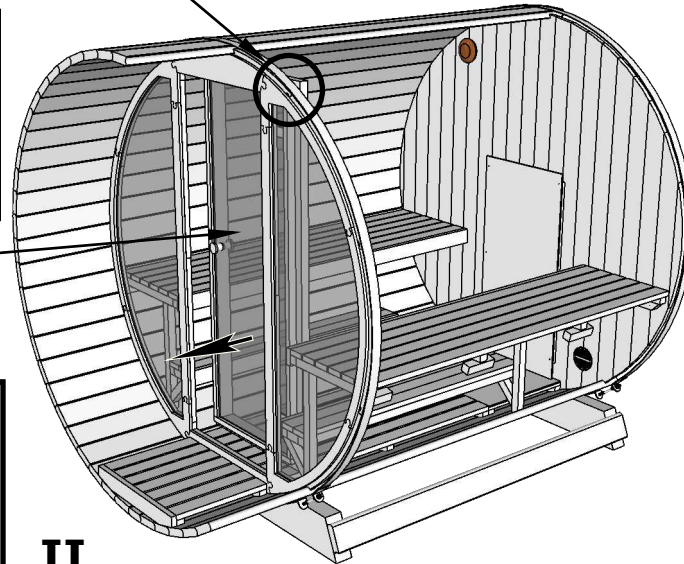
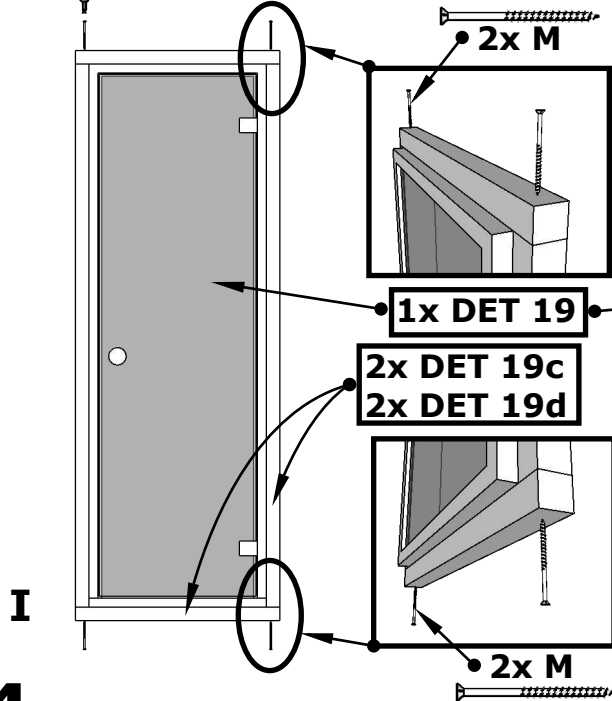


Push door against wall
and fix it from inside

V

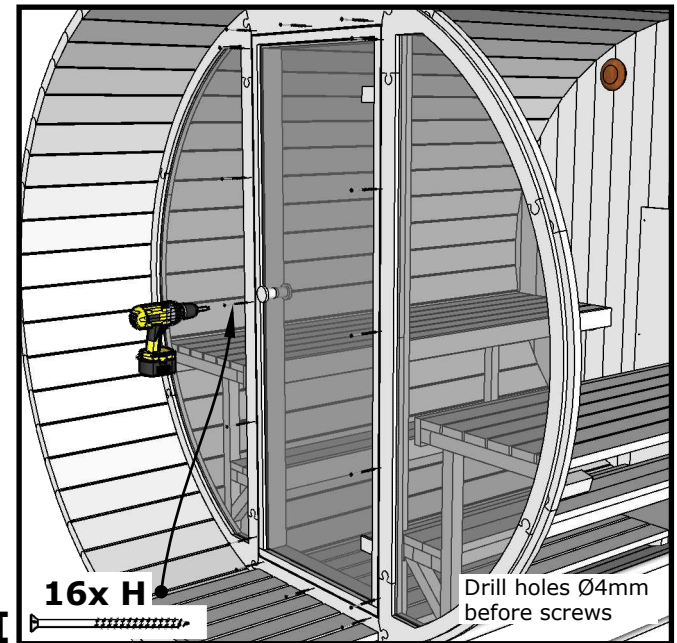


NB! Place door from inside



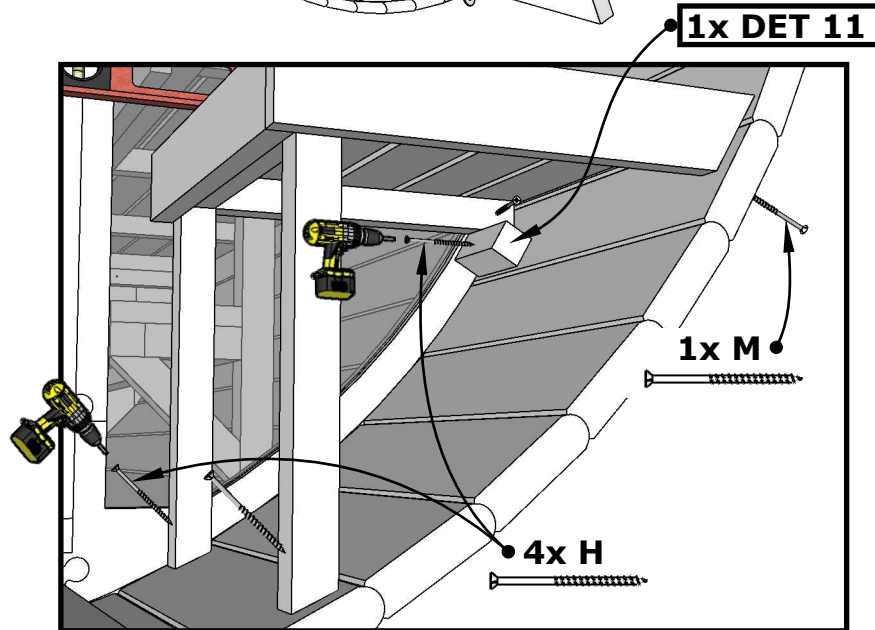
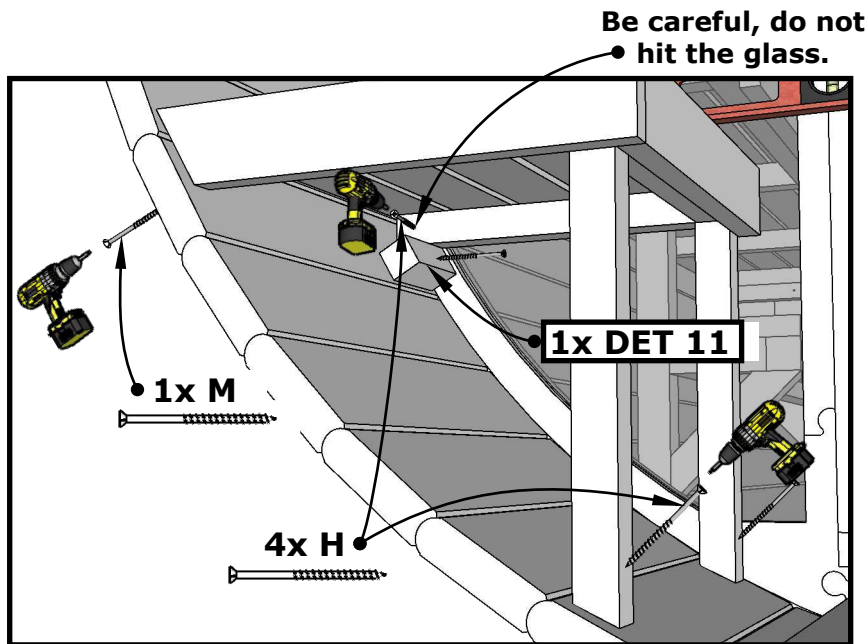
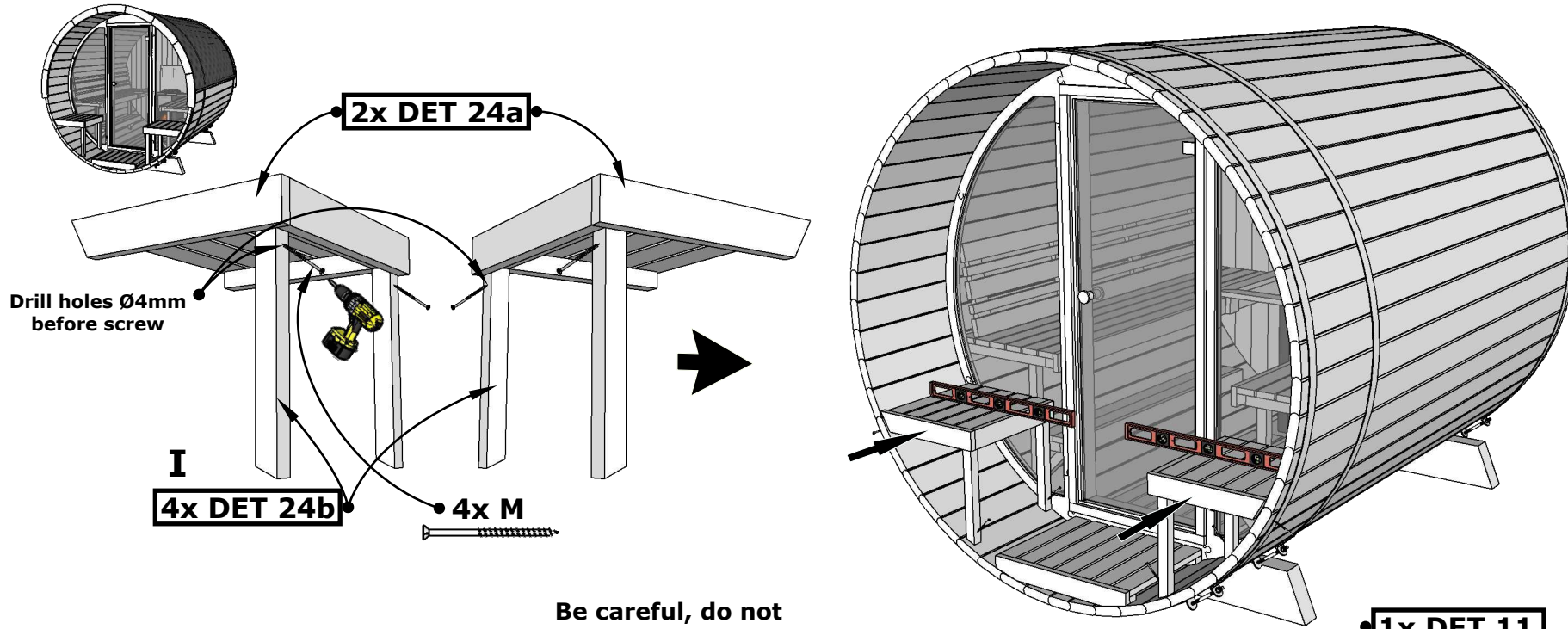
II

III



Drill holes Ø4mm before screws

Sauna 280, Ø235



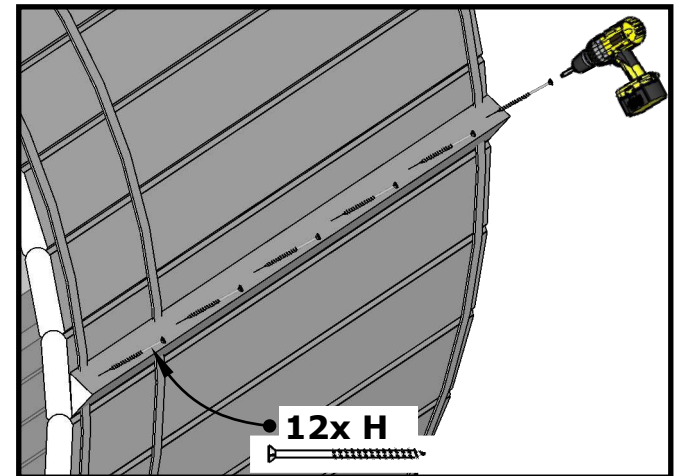
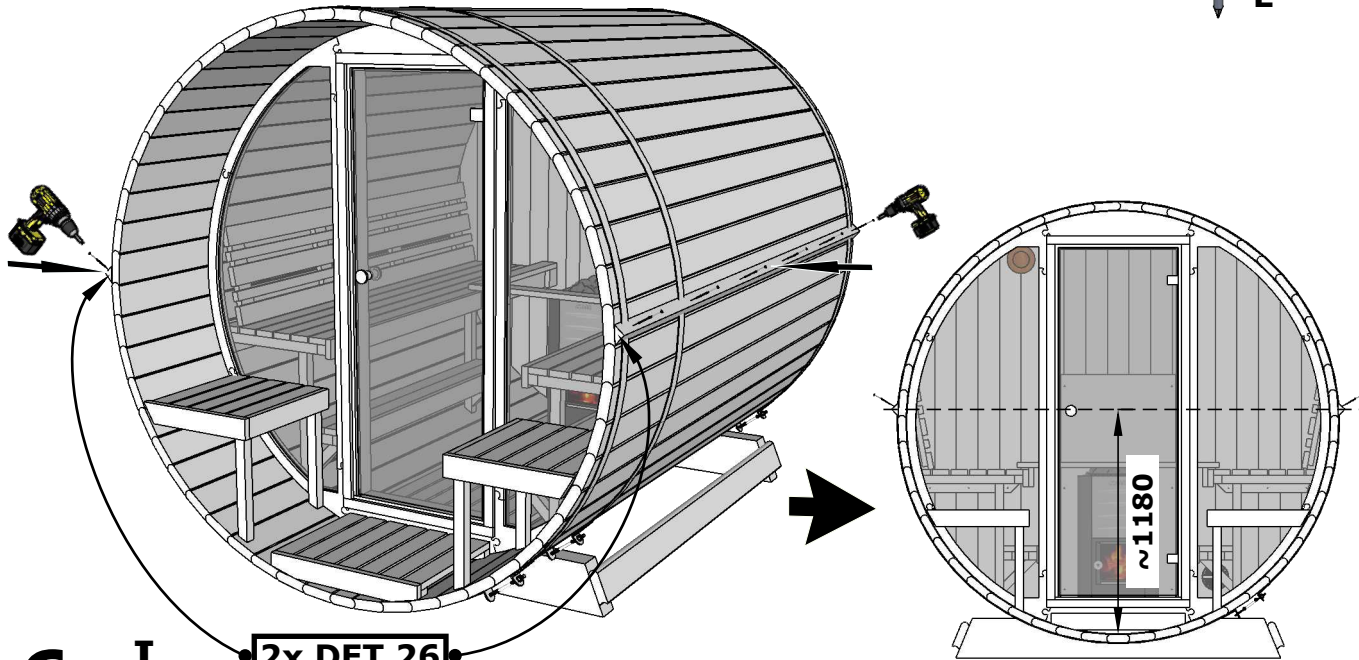
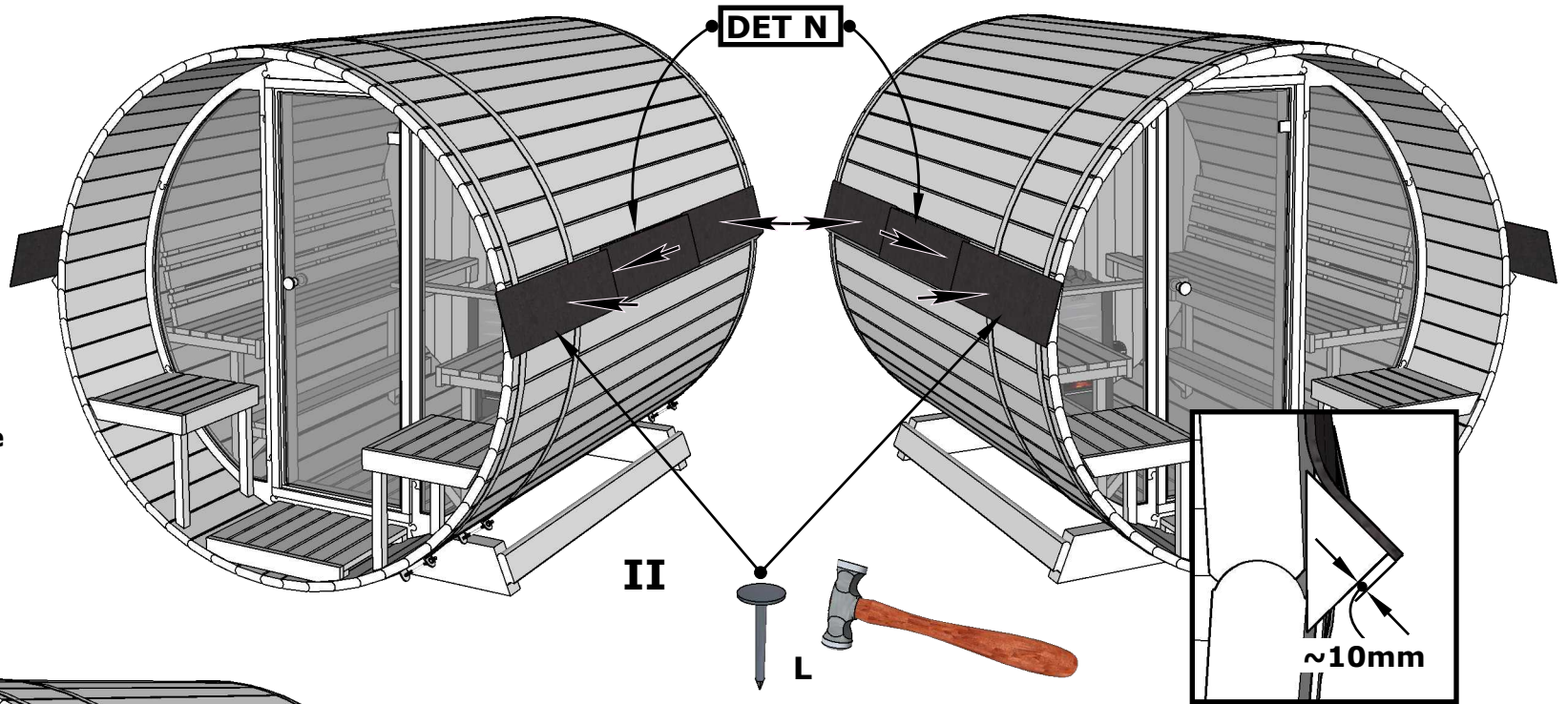
15.

Drill holes Ø4mm before screw.

Sauna 280, Ø235



NB! Check also shingles installation manual inside shingles package!

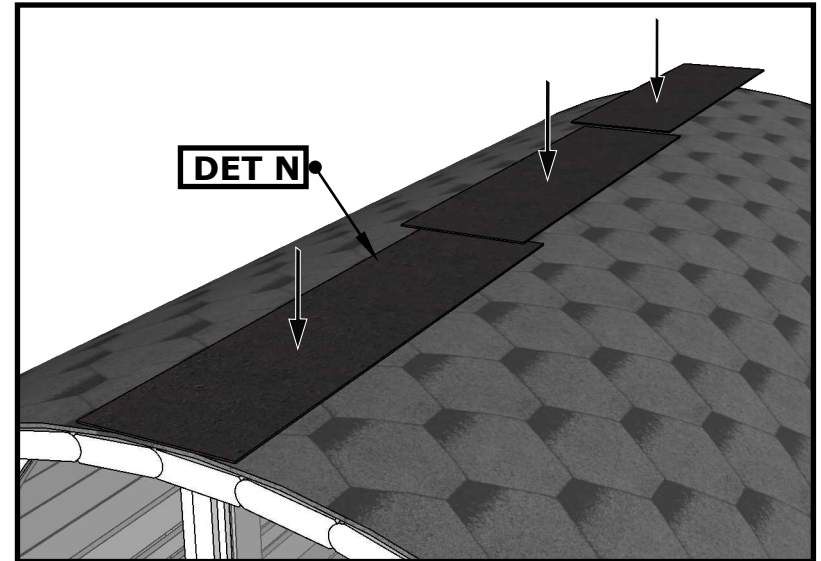
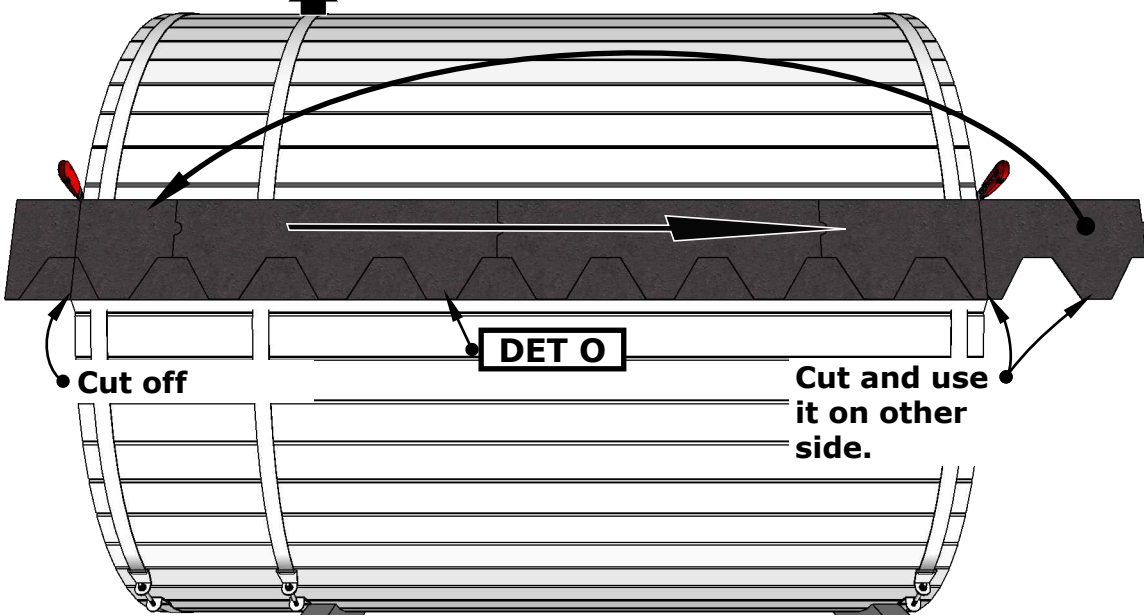
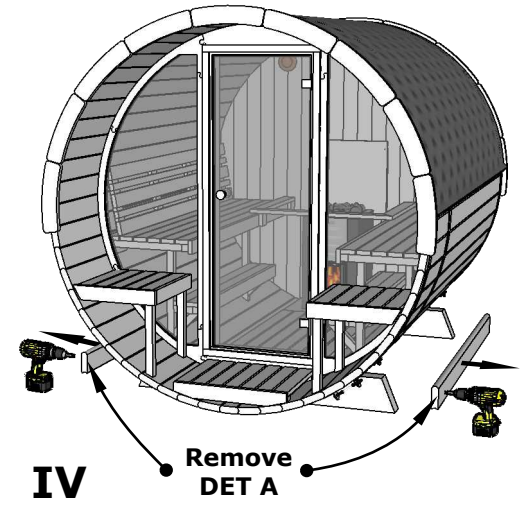
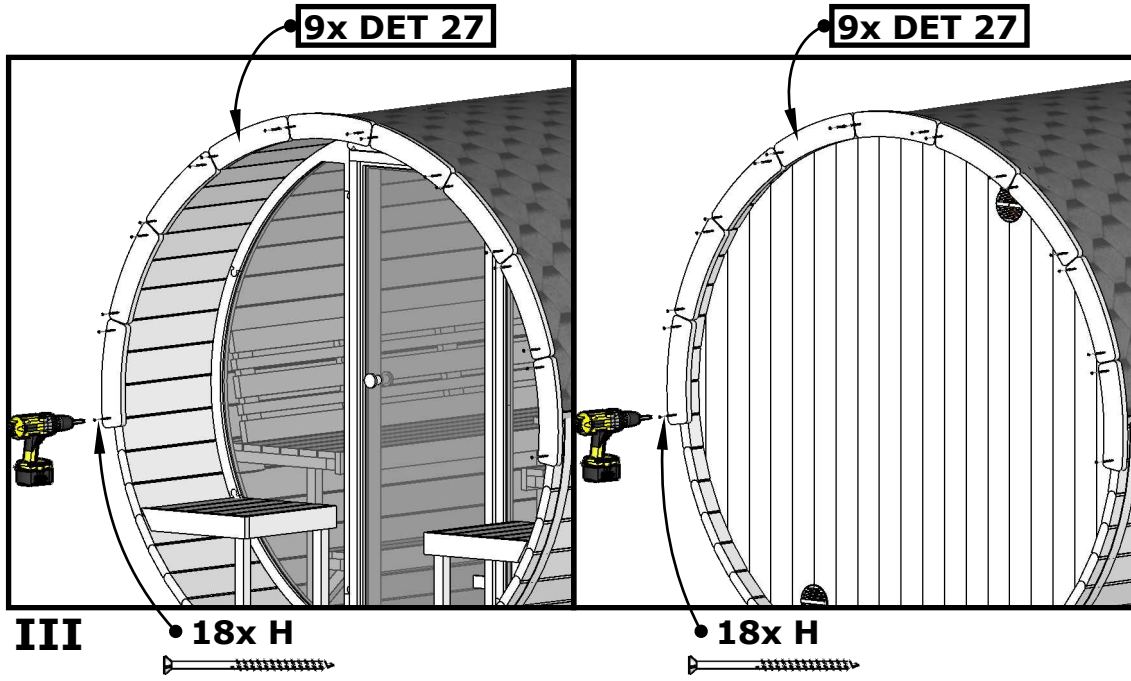


16.

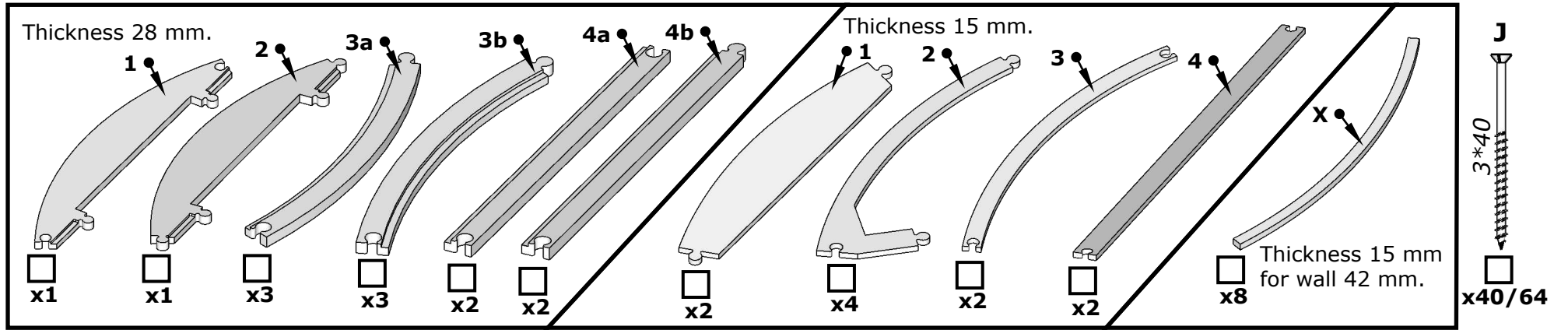
Sauna 280, Ø235



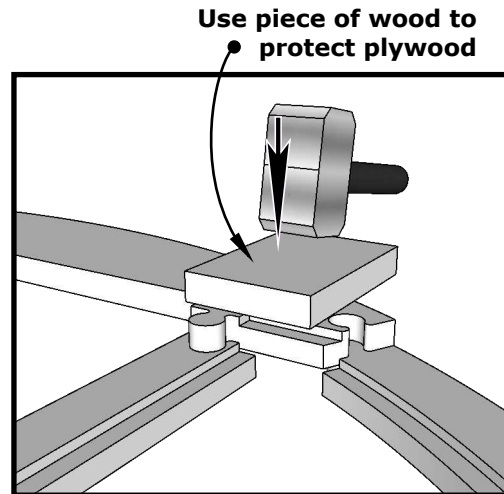
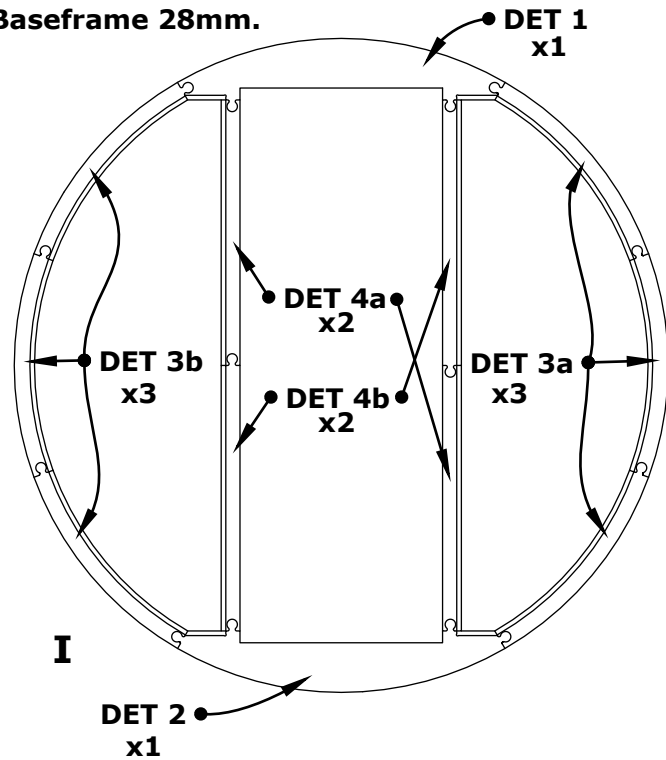
NB! Check also shingles installation manual inside shingles package!



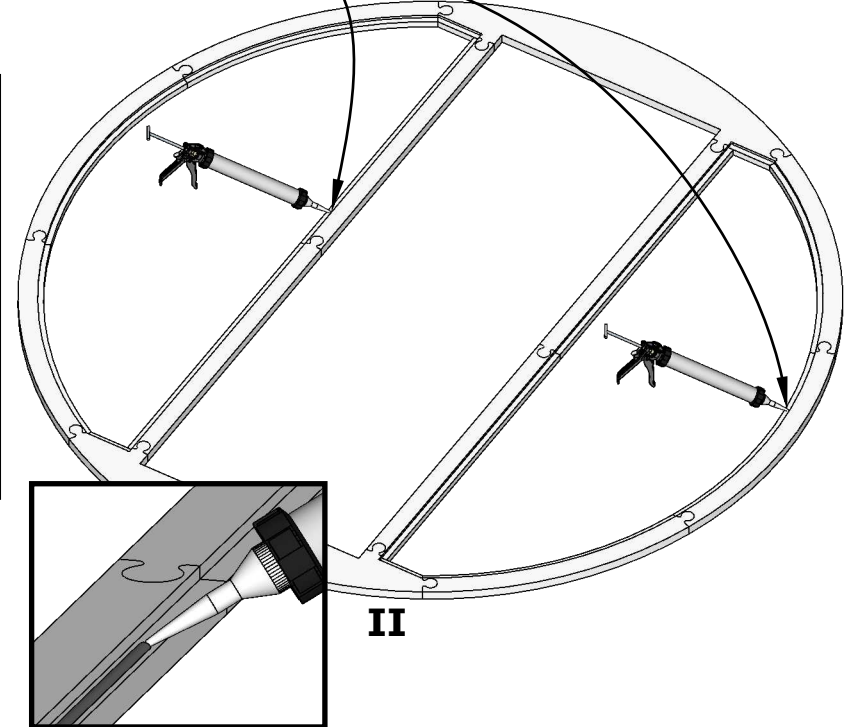
Glass Wall mounting Ø226



Baseframe 28mm.

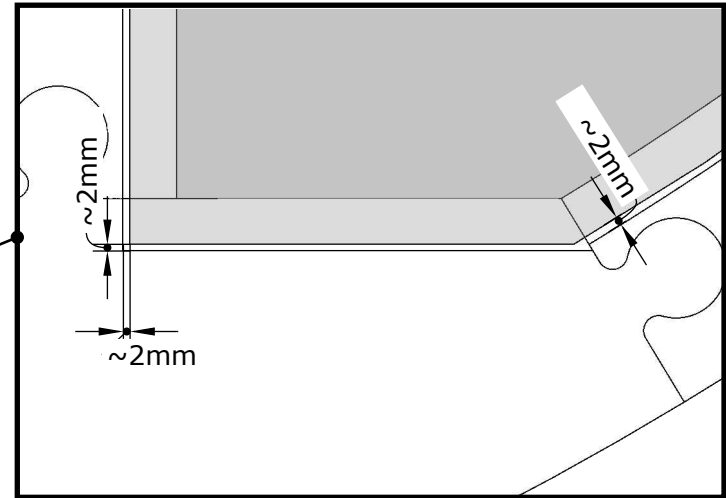
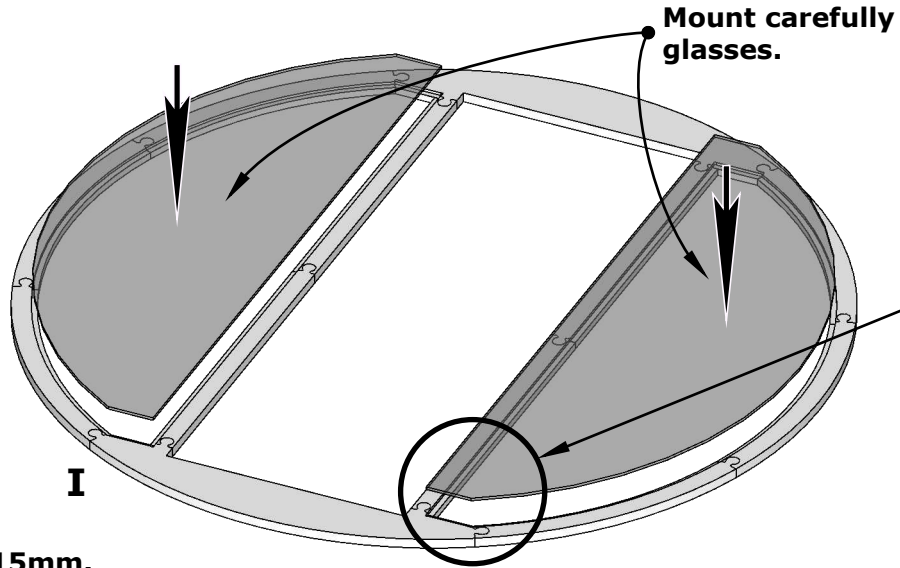


Apply waterproof silicone to the groove

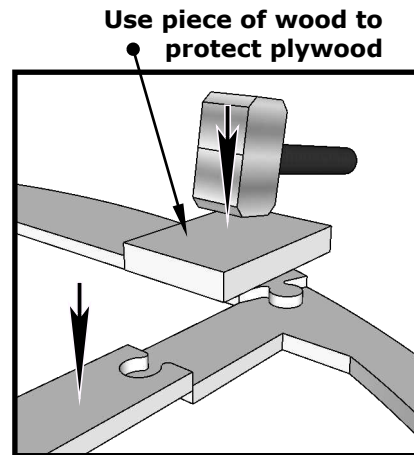
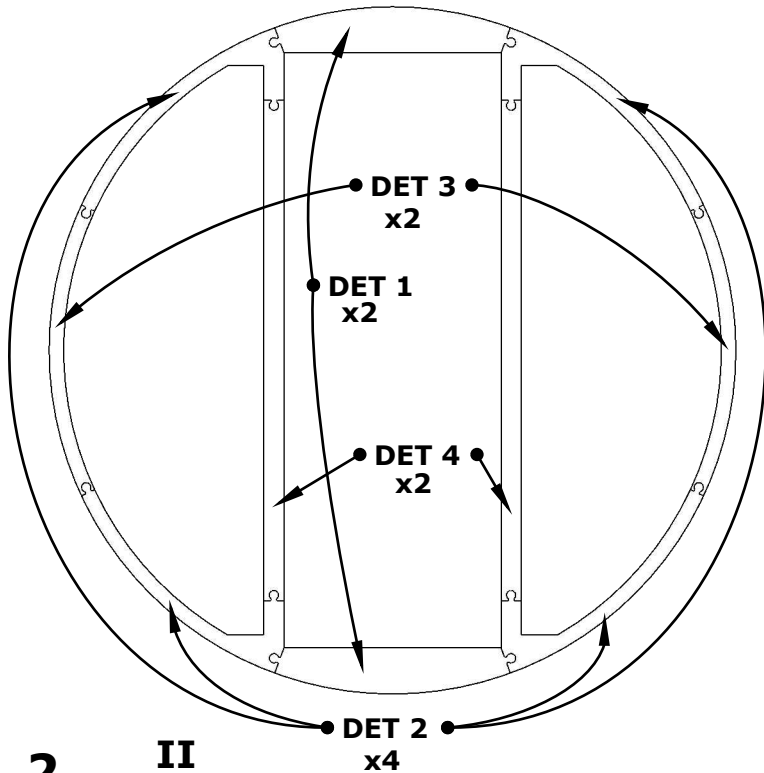


1.

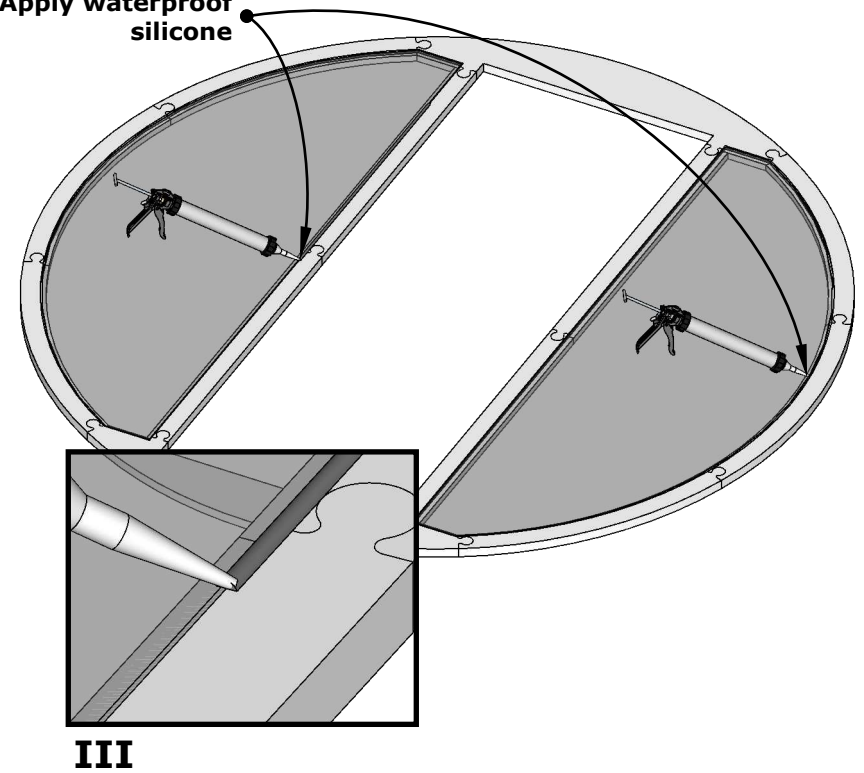
Glass Wall mounting Ø226



Coverframe 15mm.



Apply waterproof silicone



2.

Glass Wall mounting Ø226

